



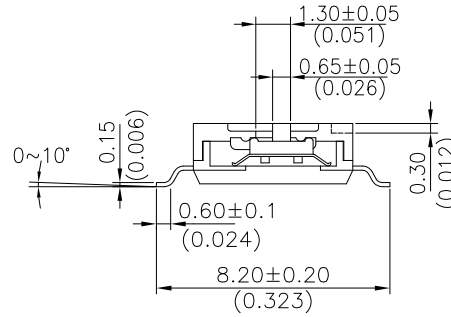
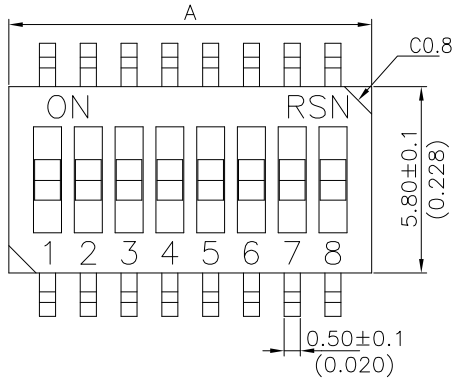
RoHS  
Compliant  
2002/95/EC

PART NO:

HRM-□□-□□

REV.	ECN.	NO.	APPD.

DIMENSION:(UNIT:mm/inches)



Number of positions:

Package:

□ = Tube

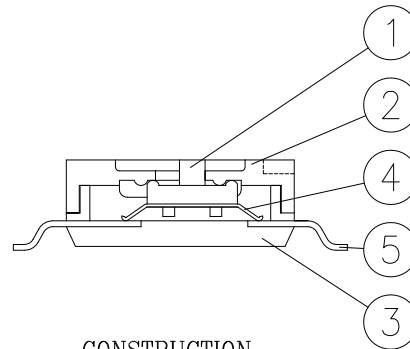
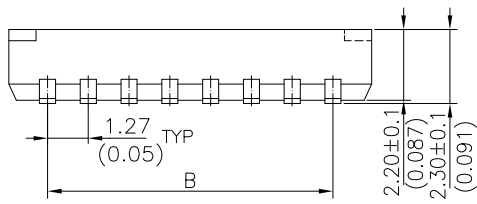
□R = Tape&Reel

Seal:

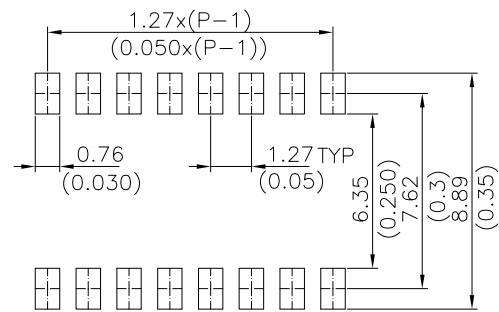
□T = Top Tape Sealed

Prod No.	No.ofPOS	DIM.A	DIM.B
HRM-02	02	3.68(0.145)	1.27(0.050)
HRM-04	04	6.22(0.245)	3.81(0.150)
HRM-06	06	8.76(0.345)	6.35(0.250)
HRM-08	08	11.30(0.445)	8.89(0.350)
HRM-10	10	13.84(0.545)	11.43(0.450)

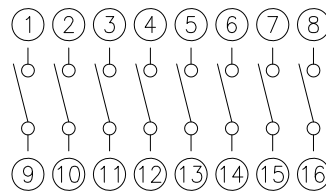
ITEM	DES	MATERIALS	TREATMENT
1	ACTUATOR	UL94V-0 NYLON THERMOPLASTIC	MOLDED WHITE
2	COVER	UL94V-0 NYLON THERMOPLASTIC	MOLDED BLACK
3	BASE	UL94V-0 NYLON THERMOPLASTIC	MOLDED BLACK
4	CONTACT	COPPER	GOLD PLATED
5	TERMINAL	BRASS	GOLD PLATED



CONSTRUCTION



P.C.B. LAYOUT



CIRCUIT DIAGRAM

尺寸範圍	容許值	UNITS mm(IN)	雅安科技有限公司 ACCURATE INNOTECH INC.			
0-4	±0.05	MAT'L	TITLE: HALF PITCH TYPE DIP SWITCH		PART NO.: HRM SERIES	
4-16	±0.1	SEE NOTE	DR: <i>Ricky</i> 2014/04/08		DWG NO.: ATR-HRM	
16-50	±0.15	FINISH SEE NOTE	CHKD: <i>Ricky</i> 2014/04/08		SCALE SHEET REV. CUSTOMER 1:1 1/1 A DRAWING	
THESE DRAWINGS AND SPECIFICATIONS ARE THE PROPERTY OF ACCURATE INNOTECH INC AND SHALL NOT BE REPRODUCED, COPIED OR USED IN ANY MANNER WITHOUT THE PRIOR WRITTEN CONSENT OF ACCURATE INNOTECH INC.			APPD:			