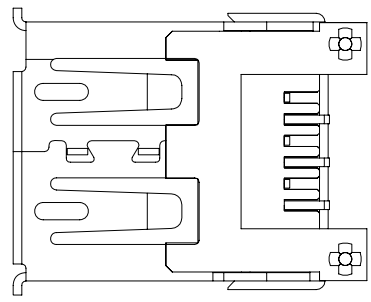
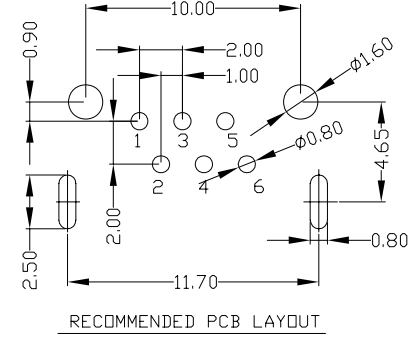
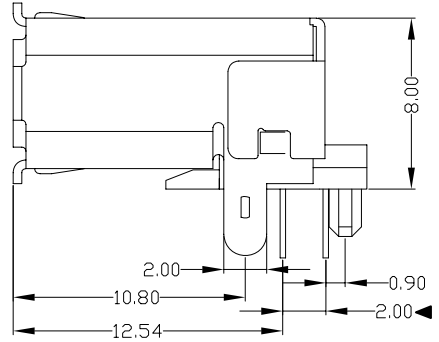
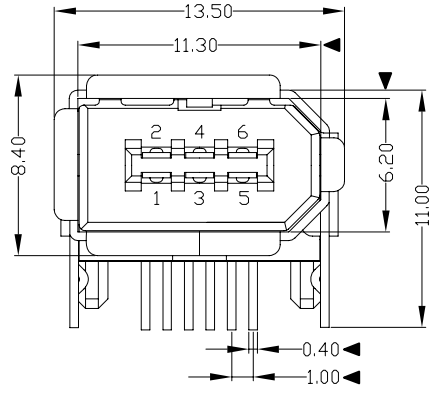
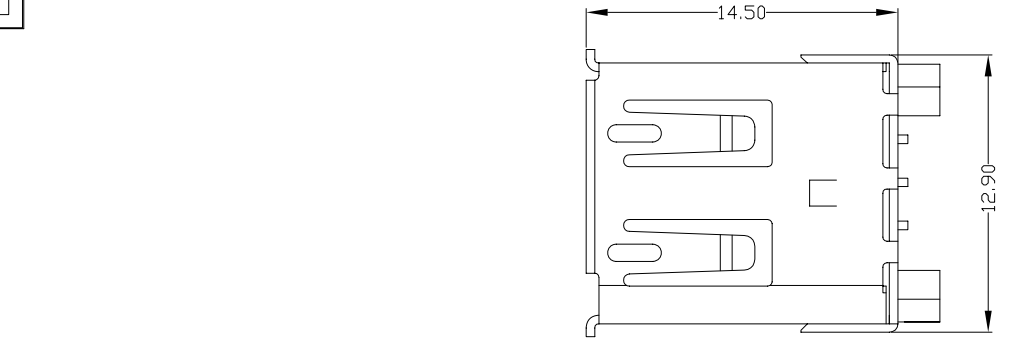




REV.	ECN.	NO.	APPD.



- NOTES:
- ELECTRICAL:
    - VOLTAGE CURRENT RATING: 1AMP,30V AC;
    - INSULATION RESISTANCE: 100MΩ MIN;
    - CONTACT RESISTANCE: 50mΩ MAX;
    - WITHSTANDING VOLTAGE: 300V AC;
    - OPERATING TEMPERATURE: -55°C TO +85°C.
  - Mechanical:
    - Mating Force: 30N MAX
    - Unmating Force: 7N MIN.
  - DIMENSIONS MARKED "▼" TO BE CHECKED BY Q.C & IPQC.

4.PART NO.  
 IENF-06\*N-4\*R80  
 1:Au 1U\*  
 6:Au 30U\*  
 W:WHITE  
 B:BLACK  
 1:PBT  
 2:PA6T  
 3:PA9T  
 4:LCP

Bill of materials:

E	3	HOUSING	LCP	1	UL94V-0	X. ±0.35	X.* ±2*	UNITS	mm	雅安科技有限公司 ACCURATE INNOTECH INC.				
	2	SHELL	COPPER ALLOY	1	PLATED NICKEL	.XX ±0.25	.XX*	MAT'L	SEE NOTE					
	1	TERMINAL	COPPER ALLOY	6	PLATED GOLD/TIN	.XXX ±0.15	.XXX*	FINISH	SEE NOTE	TITLE: IEEE 1394 6P/F DIP				
	NO	PARTS	MATERIAL	QTY	FINISHING	<small>THESE DRAWINGS AND SPECIFICATIONS ARE THE PROPERTY OF ACCURATE INNOTECH INC AND SHALL NOT BE REPRODUCED, COPIED OR USED IN ANY MANNER WITHOUT THE PRIOR WRITTEN CONSENT OF ACCURATE INNOTECH INC.</small>			Q'TY	DR: gan 2012/07/02	PART NO.:	IENF-06*N-4*R80		
									APPD:	gan 2012/07/02	DWG NO.:	AII-R80		
								SCALE	1:1	SHEET	1/1	REV.	B	CUSTOMER DRAWING