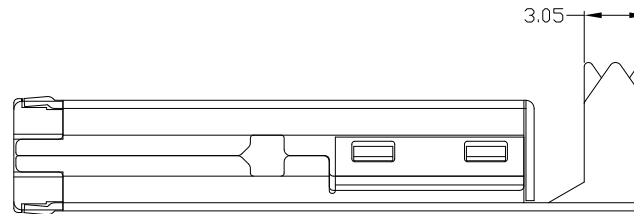
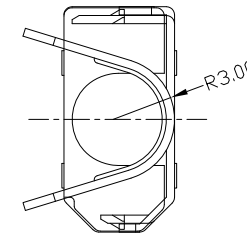
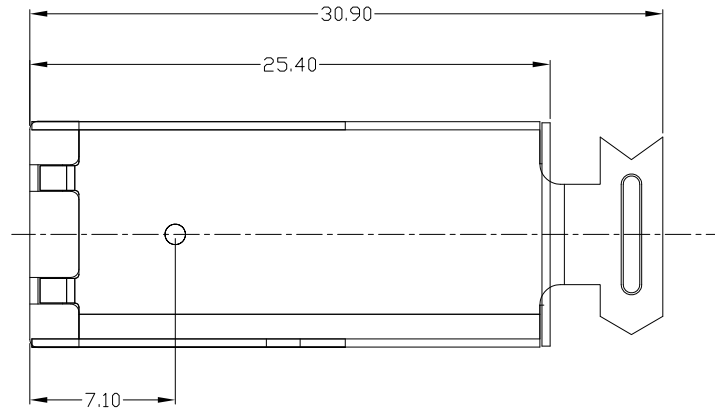
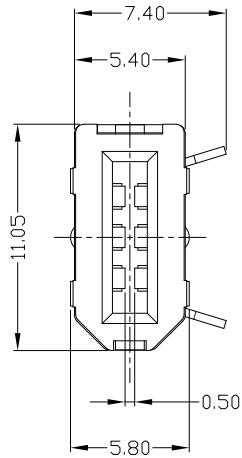




RoHS
Compliant
2002/95/EC

REV	LTR	DESCRIPTION	DATE	REVISER	APPD



NOTES:

- ELECTRICAL:
 - VOLTAGE CURRENT RATING: 1AMP,30V AC;
 - INSULATION RESISTANCE: 100MΩ MIN;
 - CONTACT RESISTANCE: 50mΩ MAX;
 - WITHSTANDING VOLTAGE: 100V AC;
 - OPERATING TEMPERATURE:-25°C TO +85°C.
- Mechanical:
 - Mating Force: 30N MAX
 - Unmating Force: 7N MIN.
- DIMENSIONS MARKED "▼" TO BE CHECKED BY Q.C & IPQC.
- PART NO.

IENM-06*N-1BS30

1: Au 1U"
6: Au 30U"

W: WHITE
B: BLACK

1: PBT
2: PA6T
3: PA9T
4: LCP

Bill of materials:

NO	PARTS	MATERIAL	QTY	FINISHING	UNITS	mm
3	HOUSING	PBT+30%GF	1	UL94V-0	X. ±0.35	X.* ±2'
2	SHELL	SPCC	1	PLATED NICKEL	.X ±0.3	.X* ±1'
1	TERMINAL	COPPER ALLOY	6	PLATED GOLD/TIN	.XX ±0.25	.XX*
					.XXX ±0.15	.XXX*
					THESE DRAWINGS AND SPECIFICATIONS ARE THE PROPERTY OF ACCURATE INNOTECH INC AND SHALL NOT BE REPRODUCED, COPIED OR USED IN ANY MANNER WITHOUT THE PRIOR WRITTEN CONSENT OF ACCURATE INNOTECH INC.	
					Q'TY	

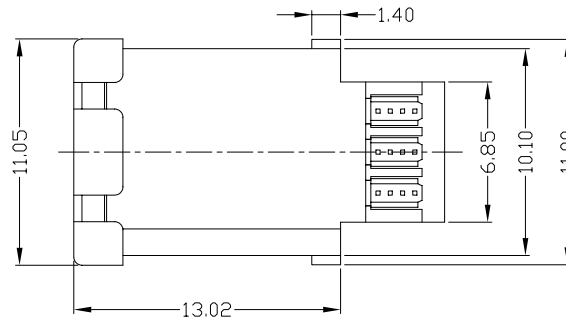
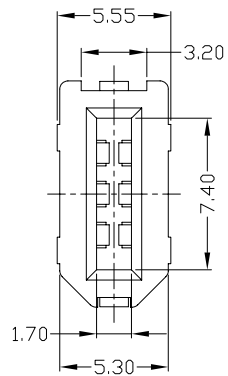
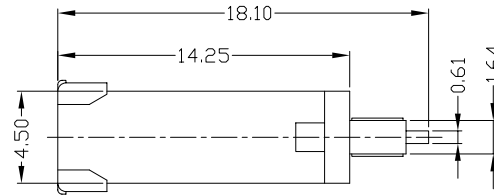
雅安科技有限公司 ACCURATE INNOTECH INC.			
TITLE: IEEE 1394 6P M 焊线三件套		PART NO.: IENM-06*N-1BS30	
DR: gan 2015/11/10		DWG NO.: AII-S30	
CHKD: gan 2015/11/10		SCALE	SHEET
APPD:		1:1	1/1
		REV.	CUSTOMER DRAWING
		B	





RoHS
Compliant
2002/95/EC

REV	LTR	DESCRIPTION	DATE	REVISER	APPD



NOTES:

- ELECTRICAL:
 - VOLTAGE CURRENT RATING: 0.5AMP,30V AC;
 - INSULATION RESISTANCE: 100MΩ MIN;
 - CONTACT RESISTANCE: 50mΩ MAX;
 - WITHSTANDING VOLTAGE: 100V AC;
 - OPERATING TEMPERATURE:-25°C TO +85°C.
- Mechanical:
 - Mating Force: 30N MAX
 - Unmating Force: 7N MIN.
- DIMENSIONS MARKED "▼" TO BE CHECKED BY Q.C & IPQC.
- PART NO.

IENM-06*N-1BS30

1:Au 1U"
6:Au 30U"

W:WHITE
B:BLACK

1:PBT
2:PA6T
3:PA9T
4:LCP

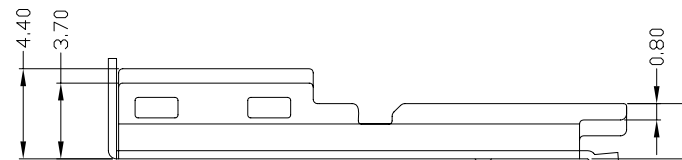
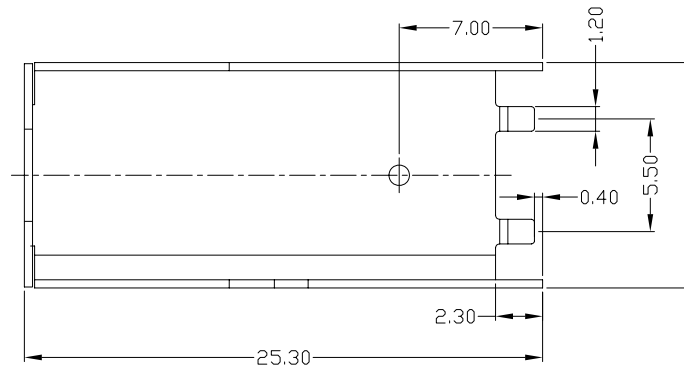
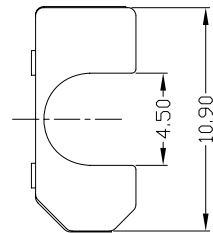
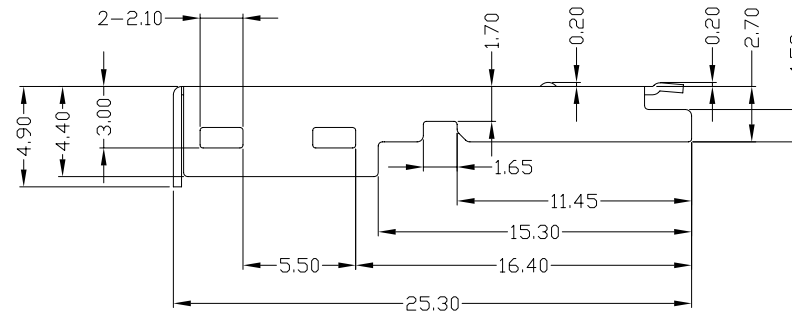
Bill of materials:

NO	PARTS	MATERIAL	QTY	FINISHING	UNITS	mm	雅安科技有限公司 ACCURATE INNOTECH INC.						
2	HOUSING	PBT+30%GF	1	UL94V-0	X. ±0.35	X.* ±2'	MAT'L	TITLE: IEEE 1394 6P M 焊线三件套主体		PART NO.: IENM-06*N-1BS30			
1	TERMINAL	COPPER ALLOY	6	PLATED GOLD/TIN	.X ±0.3	.X* ±1'	SEE NOTE	DR: gan 2015/11/10		DWG NO.: AII-S30			
					.XX ±0.25	.XX*	FINISH	CHKD: gan 2015/11/10		SCALE	SHEET	REV.	CUSTOMER
					.XXX ±0.15	.XXX*	SEE NOTE	APPD:		1:1	1/1	B	DRAWING
<small>THESE DRAWINGS AND SPECIFICATIONS ARE THE PROPERTY OF ACCURATE INNOTECH INC AND SHALL NOT BE REPRODUCED, COPIED OR USED IN ANY MANNER WITHOUT THE PRIOR WRITTEN CONSENT OF ACCURATE INNOTECH INC.</small>							Q'TY						



RoHS
Compliant
2002/95/EC

REV	LTR	DESCRIPTION	DATE	REVISER	APPD



NOTES:

NICKET PLATED OVERALL 100u" MIN.

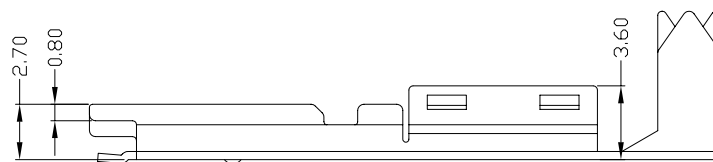
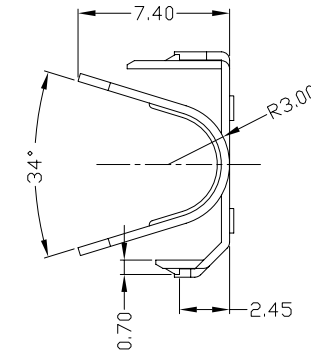
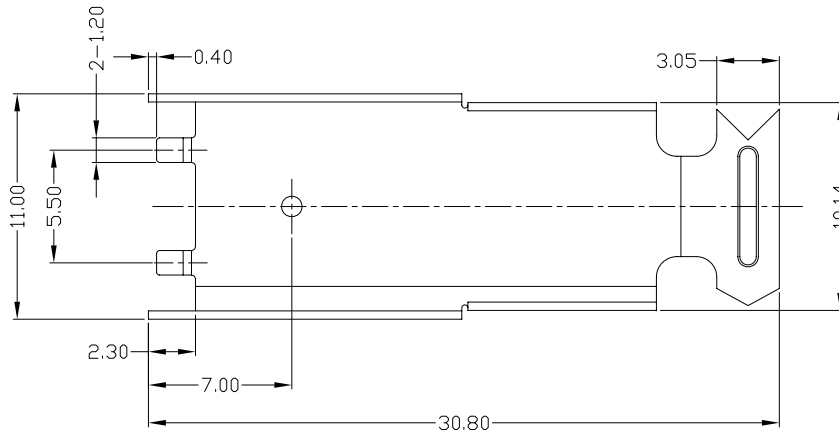
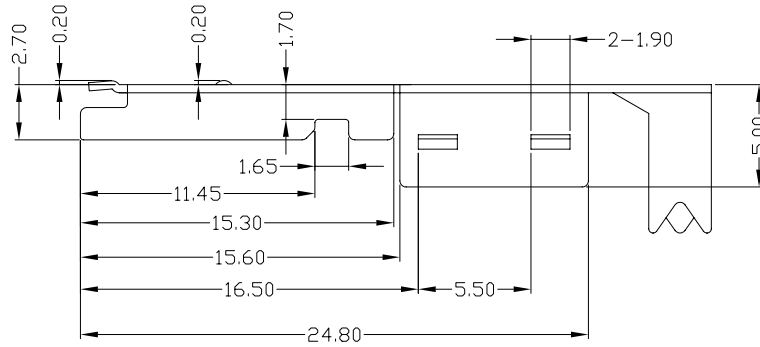
Bill of materials:

NO	PARTS	MATERIAL	QTY	FINISHING	X. ±0.35	X.* ±2'	UNITS	雅安科技有限公司 ACCURATE INNOTECH INC.				
							mm					
1	SHELL	SPCC	1	PLATED NICKEL	.X ±0.3	.X.* ±1'	MAT'L	TITLE:	PART NO.:			
					.XX ±0.25	.XX*	SEE NOTE	IEEE 1394 6P M 焊线三件套(上盖)	IENM-06*N-1BS30			
					.XXX ±0.15	.XXX*	FINISH	DR:	DWG NO.:			
					THESE DRAWINGS AND SPECIFICATIONS ARE THE PROPERTY OF ACCURATE INNOTECH INC. AND SHALL NOT BE REPRODUCED, COPIED OR USED IN ANY MANNER WITHOUT THE PRIOR WRITTEN CONSENT OF ACCURATE INNOTECH INC.		SEE NOTE	gan 2015/11/10	AII-S30			
							Q'TY	CHKD:	SCALE SHEET REV. CUSTOMER DRAWING			
								gan 2015/11/10	1:1	1/1	B	



RoHS
Compliant
2002/95/EC

REV	LTR	DESCRIPTION	DATE	REVISER	APPD



NOTES:

NICKET PLATED OVERALL 100u" MIN.

Bill of materials:

NO	PARTS	MATERIAL	QTY	FINISHING	X. ±0.35	X.* ±2'	UNITS	雅安科技有限公司 ACCURATE INNOTECH INC.						
					.X ±0.3	.X* ±1'	mm	TITLE: IEEE 1394 6P M 焊线三件套(下盖)		PART NO.: IENM-06*N-1BS30				
1	SHELL	SPCC	1	PLATED NICKEL	.XX ±0.25	.XX*	MAT'L	DR: gan 2015/11/10		DWG NO.: AII-S30				
					.XXX ±0.15	.XXX*	SEE NOTE	CHKD: gan 2015/11/10		SCALE	SHEET	REV.	CUSTOMER	
					THESE DRAWINGS AND SPECIFICATIONS ARE THE PROPERTY OF ACCURATE INNOTECH INC. AND SHALL NOT BE REPRODUCED, COPIED OR USED IN ANY MANNER WITHOUT THE PRIOR WRITTEN CONSENT OF ACCURATE INNOTECH INC.			Q'TY	APPD:		1:1	1/1	B	DRAWING