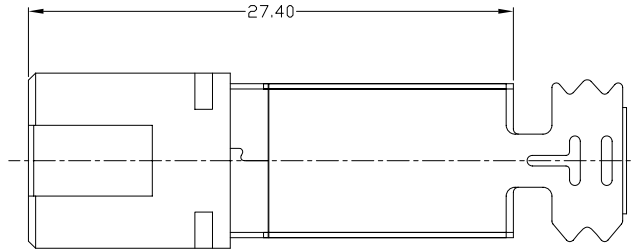




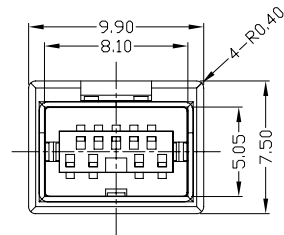
RoHS
Compliant
2002/95/EC

REV	LTR	DESCRIPTION	DATE	REVISER	APPD

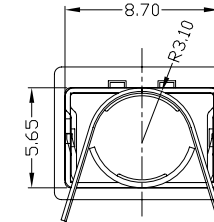
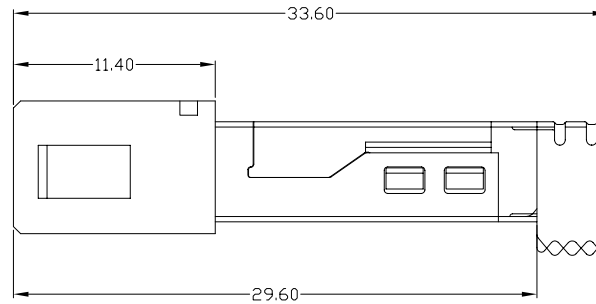
A



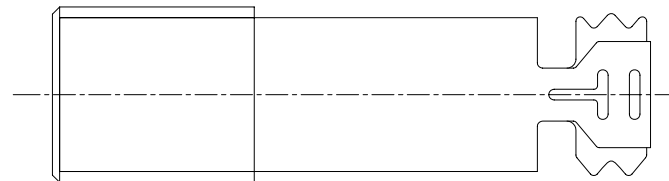
B



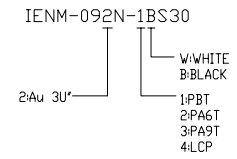
C



D



- NOTES:
- ELECTRICAL:
 - VOLTAGE CURRENT RATING: 0.5AMP,30V AC;
 - INSULATION RESISTANCE: 100MΩ MIN;
 - CONTACT RESISTANCE: 50mΩ MAX;
 - WITHSTANDING VOLTAGE: 100V AC;
 - OPERATING TEMPERATURE:-25°C TO +85°C.
 - Mechanical:
 - Mating Force: 30N MAX
 - Unmating Force: 7N MIN.
 - DIMENSIONS MARKED '▼' TO BE CHECKED BY Q.C & IPQC.
 - PART NO.



Bill of materials:

NO	PARTS	MATERIAL	QTY	FINISHING	UNITS	mm	雅安科技有限公司 ACCURATE INNOTECH INC.						
3	HOUSING	PBT+30%GF	1	UL94V-0	X. ±0.35	X.* ±2'	MAT'L	TITLE:		PART NO.:			
2	SHELL	SPCC	1	PLATED NICKEL	.X ±0.3	.X* ±1'		SEE NOTE	IEEE 1394 9P M 焊线四件套		IENM-092N-1BS30		
1	TERMINAL	COPPER ALLOY	9	PLATED GOLD/TIN	.XX ±0.25	.XX*	FINISH	DR: gan 2015/11/10		DWG NO.:			
					.XXX ±0.15	.XXX*	SEE NOTE	CHKD: gan 2015/11/10		AII-S30			
					THESE DRAWINGS AND SPECIFICATIONS ARE THE PROPERTY OF ACCURATE INNOTECH INC AND SHALL NOT BE REPRODUCED, COPIED OR USED IN ANY MANNER WITHOUT THE PRIOR WRITTEN CONSENT OF ACCURATE INNOTECH INC.		Q'TY	APPD:		SCALE	SHEET	REV.	CUSTOMER DRAWING
								1:1	1/1	B			

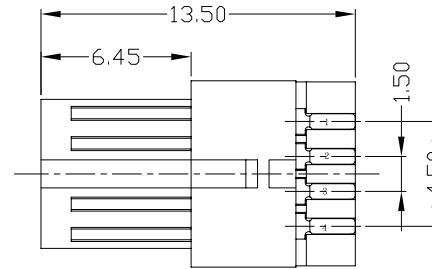
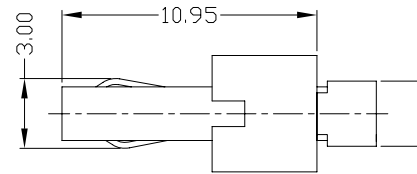
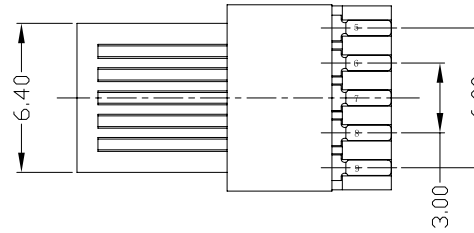
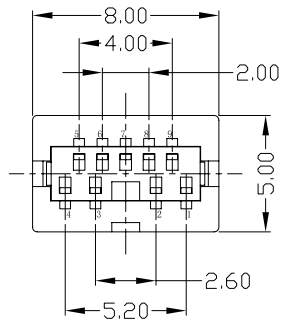
E

F



RoHS
Compliant
2002/95/EC

REV	LTR	DESCRIPTION	DATE	REVISER	APPD



NOTES:

- ELECTRICAL:
 - VOLTAGE CURRENT RATING: 0.5AMP,30V AC;
 - INSULATION RESISTANCE: 100MΩ MIN;
 - CONTACT RESISTANCE: 50mΩ MAX;
 - WITHSTANDING VOLTAGE: 100V AC;
 - OPERATING TEMPERATURE:-25°C TO +85°C.
- Mechanical:
 - Mating Force: 30N MAX
 - Unmating Force: 7N MIN.
- DIMENSIONS MARKED "▼" TO BE CHECKED BY Q.C & IPQC.

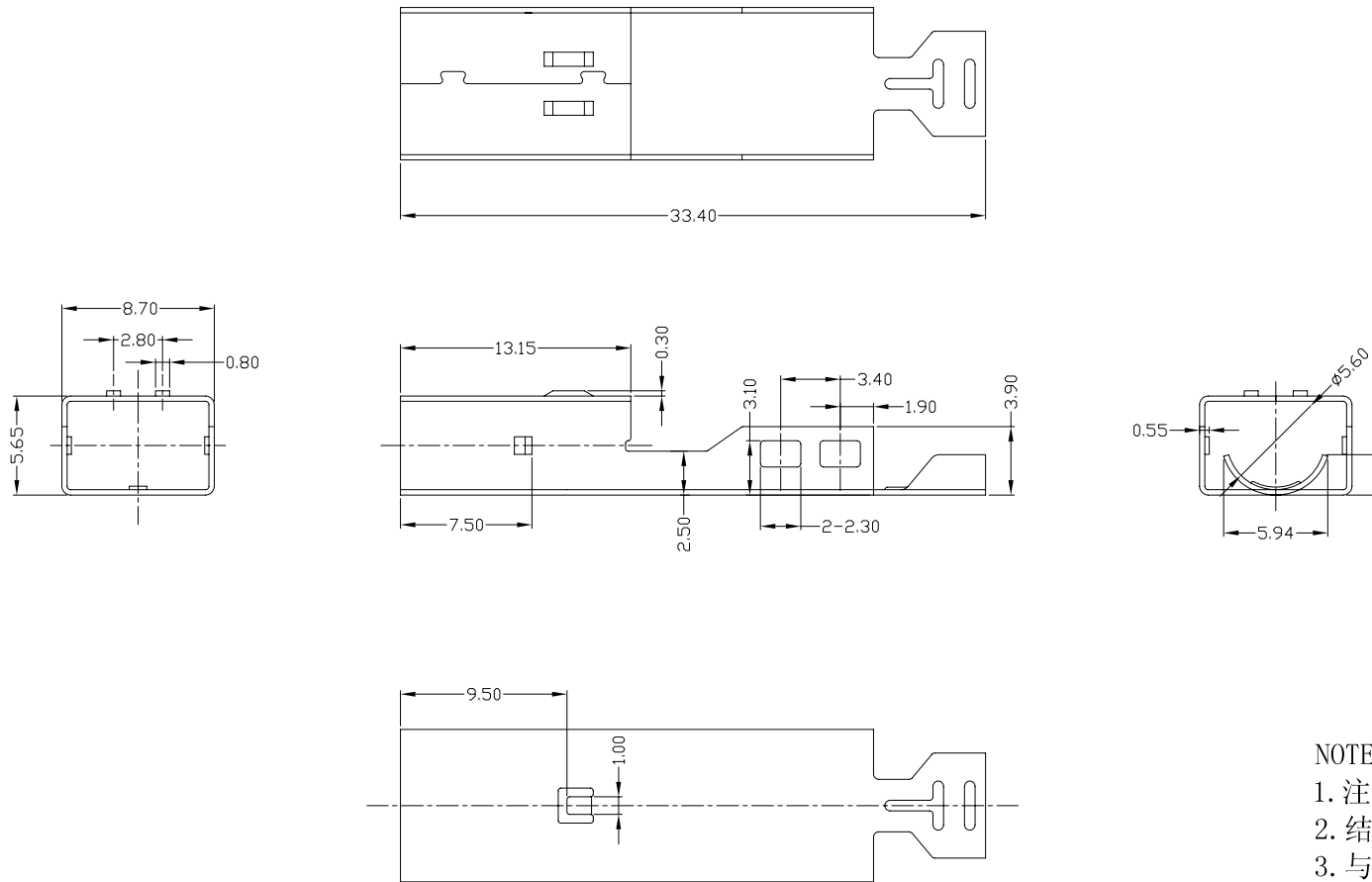
Bill of materials:

NO	PARTS	MATERIAL	QTY	FINISHING	UNITS	mm	雅安科技有限公司 ACCURATE INNOTECH INC.						
2	HOUSING	PBT+30%GF	1	UL94V-0	X. ±0.35	X.* ±2'	MAT'L	TITLE: IEEE 1394 9P M 主体		PART NO.: IENM-092N-1BS30			
1	TERMINAL	COPPER ALLOY	9	PLATED GOLD/TIN	.X ±0.3	.X* ±1'	SEE NOTE	DR: gan 2015/11/10		DWG NO.: AII-S30			
					.XX ±0.25	.XX*	FINISH	CHKD: gan 2015/11/10		SCALE	SHEET	REV.	CUSTOMER
					.XXX ±0.15	.XXX*	SEE NOTE	APPD:		1:1	1/1	B	DRAWING
<small>THESE DRAWINGS AND SPECIFICATIONS ARE THE PROPERTY OF ACCURATE INNOTECH INC. AND SHALL NOT BE REPRODUCED, COPIED OR USED IN ANY MANNER WITHOUT THE PRIOR WRITTEN CONSENT OF ACCURATE INNOTECH INC.</small>					Q'TY								



RoHS
Compliant
2002/95/EC

REV	LTR	DESCRIPTION	DATE	REVISER	APPD



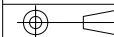
NOTES:

1. 注意外形不能有明显的变形.
2. 结合处紧密, 不能变形. 错位.
3. 与后盖组装不松动.
4. 与外套组装不松动.
5. PLATING NICKEL 120u".

Bill of materials:

NO	PARTS	MATERIAL	QTY	FINISHING	UNITS	MAT'L	TITLE:	PART NO.:
1	SHELL	SPCC	1	PLATED NICKEL	mm	SEE NOTE	IEEE 1394 9P M 外壳	IENM-092N-1BS30
						SEE NOTE	DR: gan 2015/11/10	DWG NO.: AII-S30
						SEE NOTE	CHKD: gan 2015/11/10	SCALE SHEET REV. CUSTOMER DRAWING
						Q'TY	APPD:	1:1 1/1 B

THESE DRAWINGS AND SPECIFICATIONS ARE THE PROPERTY OF ACCURATE INNOTECH INC. AND SHALL NOT BE REPRODUCED, COPIED OR USED IN ANY MANNER WITHOUT THE PRIOR WRITTEN CONSENT OF ACCURATE INNOTECH INC.

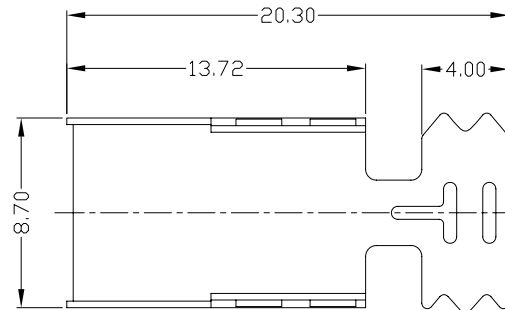
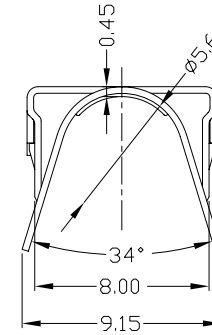
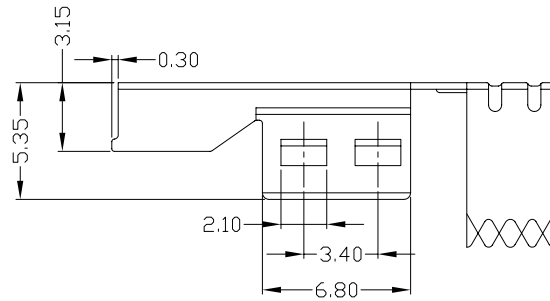


雅安科技有限公司
ACCURATE INNOTECH INC.



RoHS
Compliant
2002/95/EC

REV	LTR	DESCRIPTION	DATE	REVISER	APPD



NOTES:

1. 注意外形不能有明显的变形.
2. 结合处紧密, 不能变形. 错位.
3. 与外壳组装不松动.
4. 与外套组装不松动.
5. PLATING NICKEL 120u".

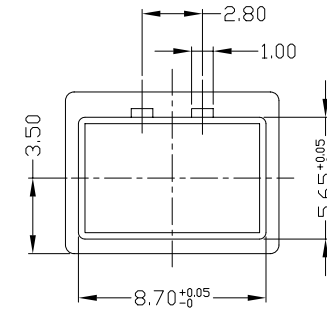
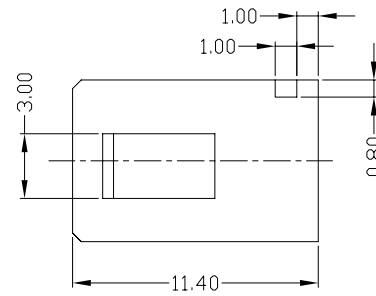
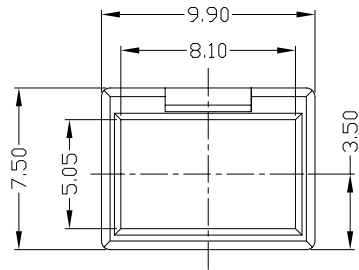
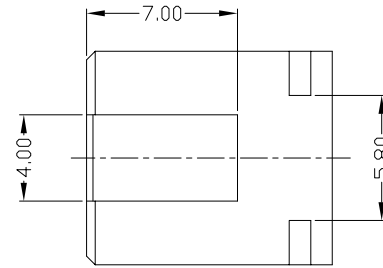
Bill of materials:

NO	PARTS	MATERIAL	QTY	FINISHING	X. ±0.35	X.* ±2'	UNITS	雅安科技有限公司 ACCURATE INNOTECH INC.					
					.X ±0.3	.X* ±1'	mm						
1	SHELL	SPCC	1	PLATED NICKEL	.XX ±0.25	.XX*	MAT'L	SEE NOTE	TITLE:	PART NO.:			
					.XXX ±0.15	.XXX*	FINISH	SEE NOTE	IEEE 1394 9P M 外壳后盖	IENM-092N-1BS30			
					THESE DRAWINGS AND SPECIFICATIONS ARE THE PROPERTY OF ACCURATE INNOTECH INC AND SHALL NOT BE REPRODUCED, COPIED OR USED IN ANY MANNER WITHOUT THE PRIOR WRITTEN CONSENT OF ACCURATE INNOTECH INC.			Q'TY	DR:	DWG NO.:			
											gan 2015/11/10	AII-S30	
									CHKD:	SCALE SHEET REV. CUSTOMER DRAWING			
									gan 2015/11/10	1:1 1/1 B			
									APPD:				



RoHS
Compliant
2002/95/EC

REV	LTR	DESCRIPTION	DATE	REVISER	APPD



NOTE:

1. 胶芯须与铁壳适配;
2. 外观不能有缩水, 刮伤, 变形等不良现象; 毛边最大0.05MM;

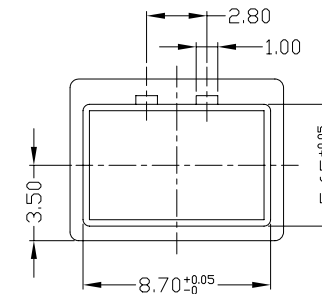
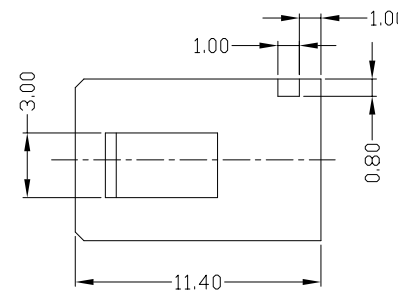
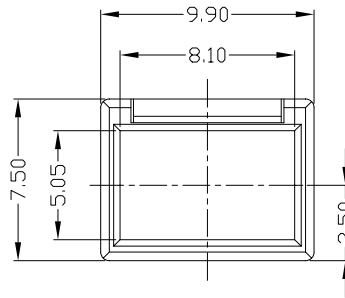
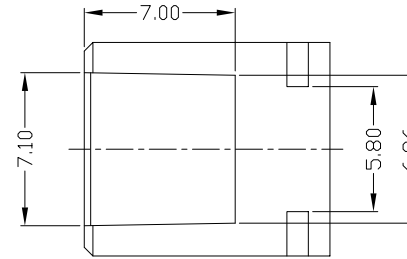
Bill of materials:

NO	PARTS	MATERIAL	QTY	FINISHING	DIMENSIONS		UNITS	MAT'L	SEE NOTE	FINISH	SEE NOTE	Q'TY	TITLE				
					X. ±0.35	X.* ±2'							mm	雅安科技有限公司 ACCURATE INNOTECH INC.			
1	HOUSING	PBT+30%GF	1	UL94V-0	.X ±0.3	.X* ±1'							TITLE:	IEEE 1394 9P M 护套A款			
					.XX ±0.25	.XX*							DR:	gan 2015/11/10			
					.XXX ±0.15	.XXX*							CHKD:	gan 2015/11/10			
					THESE DRAWINGS AND SPECIFICATIONS ARE THE PROPERTY OF ACCURATE INNOTECH INC. AND SHALL NOT BE REPRODUCED, COPIED OR USED IN ANY MANNER WITHOUT THE PRIOR WRITTEN CONSENT OF ACCURATE INNOTECH INC.								APPD:	SCALE	SHEET	REV.	CUSTOMER DRAWING
														1:1	1/1	B	



RoHS
Compliant
2002/95/EC

REV	LTR	DESCRIPTION	DATE	REVISER	APPD



NOTE:

1. 胶芯须与铁壳适配;
2. 外观不能有缩水, 刮伤, 变形等不良现象; 毛边最大0.05MM;

Bill of materials:

NO	PARTS	MATERIAL	QTY	FINISHING	DIMENSIONS		UNITS	MAT'L	TITLE							
					X. ±0.35	X.* ±2'			mm	雅安科技有限公司 ACCURATE INNOTECH INC.						
1	HOUSING	PBT+30%GF	1	UL94V-0	.X ±0.3	.X* ±1'	SEE NOTE	SEE NOTE	TITLE:	IEEE 1394 9P M 护套B款			PART NO.:	IENM-092N-1BS30		
					.XX ±0.25	.XX*	SEE NOTE	SEE NOTE	DR:	gan 2015/11/10			DWG NO.:	AII-S30		
					.XXX ±0.15	.XXX*	SEE NOTE	SEE NOTE	CHKD:	gan 2015/11/10			SCALE	SHEET	REV.	CUSTOMER
					THESE DRAWINGS AND SPECIFICATIONS ARE THE PROPERTY OF ACCURATE INNOTECH INC. AND SHALL NOT BE REPRODUCED, COPIED OR USED IN ANY MANNER WITHOUT THE PRIOR WRITTEN CONSENT OF ACCURATE INNOTECH INC.			Q'TY	APPD:	1:1	1/1	B	DRAWING			