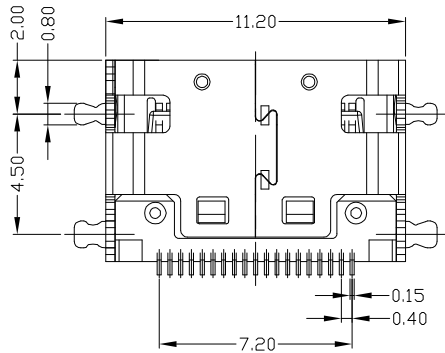
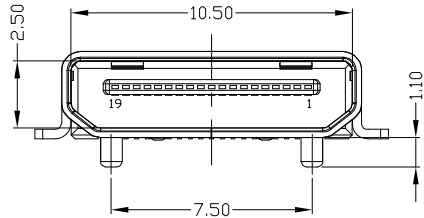
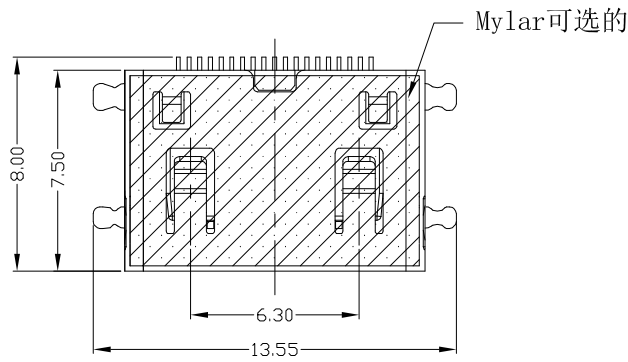


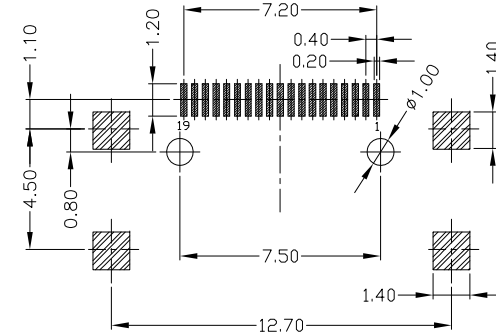
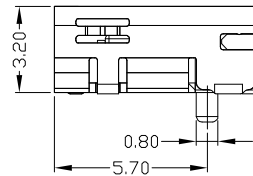


RoHS  
Compliant  
2002/95/EC

REV.	ECN. NO.	APPD.



TYPE C PIN	SIGNAL NAME
1	TMDS DATA2 SHIELD
2	TMDS DATA2 +
3	TMDS DATA2 -
4	TMDS DATA1 SHIELD
5	TMDS DATA1 +
6	TMDS DATA1 -
7	TMDS DATA0 SHIELD
8	TMDS DATA0 +
9	TMDS DATA0 -
10	TMDS CLOCK SHIELD
11	TMDS CLOCK +
12	TMDS CLOCK -
13	DDC/CEC GROUND
14	CEC
15	SCL
16	SDA
17	UTILITY
18	+5V POWER
19	HOT PLUG DETECT



RECOMMEND PCB LAYOUT

NOTES:

- ELECTRICAL:
  - VOLTAGE CURRENT RATING: 0.5AMP, 40V AC;
  - INSULATION RESISTANCE: 100MΩ MIN;
  - CONTACT RESISTANCE: 30mΩ MAX;
  - WITHSTANDING VOLTAGE: 500V AC;
  - OPERATING TEMPERATURE: -20°C TO +85°C.
- Mechanical:
  - Mating Force: 35N MAX
  - Unmating Force: 10N MIN.
- DIMENSIONS MARKED "▼" TO BE CHECKED BY Q.C & IPQC.

4.PART NO.

MHMF-19\*G-4BV90

1:Au 1U'  
5:Au 15U' N:Ni G:Au

Bill of materials:

NO	PARTS	MATERIAL	QTY	FINISHING
3	HOUSING	LCP+30%GF	1	UL94V-0
2	SHELL	COPPER ALLOY	1	PLATED NICKEL SOLDER TIN
1	TERMINAL	COPPER ALLOY	19	PLATED GOLD

X. ±0.35	X.' ±2'	UNITS	mm
.X ±0.3	.X' ±1'	MAT'L	SEE NOTE
.XX ±0.25	.XX'	FINISH	SEE NOTE
.XXX ±0.15	.XXX'	Q'TY	SEE NOTE

THESE DRAWINGS AND SPECIFICATIONS ARE THE PROPERTY OF ACCURATE INNOTECH INC. AND SHALL NOT BE REPRODUCED, COPIED OR USED IN ANY MANNER WITHOUT THE PRIOR WRITTEN CONSENT OF ACCURATE INNOTECH INC.

雅安科技有限公司 ACCURATE INNOTECH INC.		PART NO.:	
TITLE: MINI HDMI FEMALE 19P SMT C TYPE 成品 (铜壳SMT)		MHMF-19*G-4BV90	
DR: gan 2016/11/02		DWG NO.:	
CHKD: gan 2016/11/02		AII-V90	
APPD:	SCALE	SHEET	REV.
	1:1	1/1	B
			CUSTOMER DRAWING