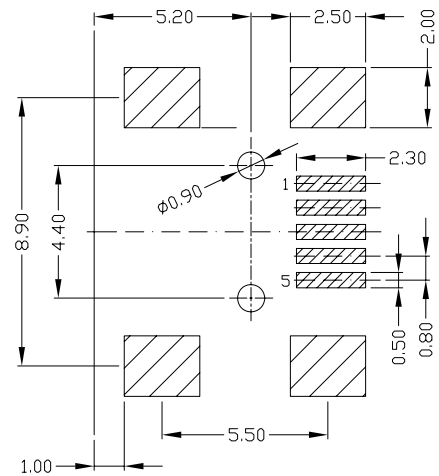
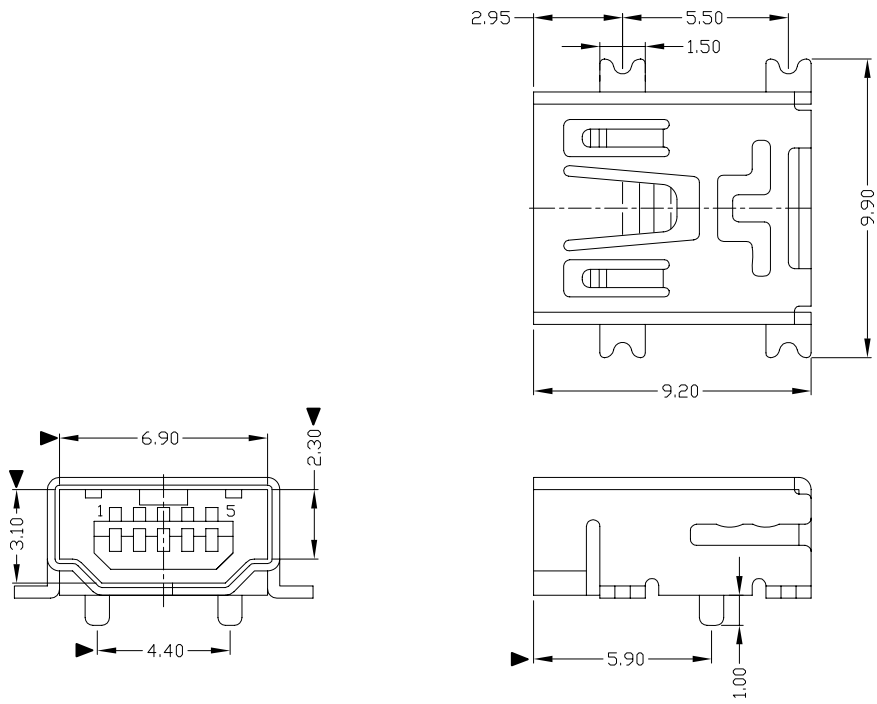


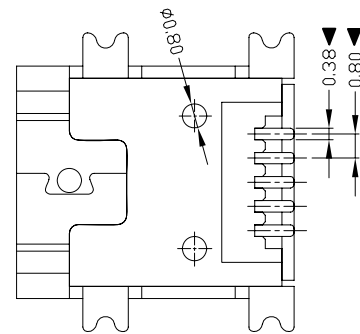


RoHS
Compliant
2002/95/EC

REV.	ECN.	NO.	APPD.



RECOMMENDED PCB LAYOUT



- NOTES:
- ELECTRICAL:
 - VOLTAGE CURRENT RATING: 1.0AMP,30V AC;
 - INSULATION RESISTANCE: 100M Ω MIN;
 - CONTACT RESISTANCE: 50m Ω MAX;
 - WITHSTANDING VOLTAGE: 300V AC;
 - OPERATING TEMPERATURE:-55°C TO +85°C.
 - Mechanical:
 - Mating Force: 30N MAX
 - Unmating Force: 7N MIN.
 - DIMENSIONS MARKED "▼" TO BE CHECKED BY Q.C & IPQC.

4.PART NO.
MUAF-05*N-4BH80

1:Au 1U"
6:Au 30U"

W:WHITE
B:BLACK

1:PBT
2:PA6T
3:PA9T
4:LCP

Bill of materials:

NO	PARTS	MATERIAL	QTY	FINISHING	UNITS	mm	雅安科技有限公司 ACCURATE INNOTECH INC.					
3	HOUSING	LCP	1	UL94V-0	X. ± 0.35	X.' $\pm 2^*$	TITLE: MINI USB 5P/F SMT(A型1.0柱)	PART NO.: MUAF-05*N-4BH80			DR: gan 2012/7/02	
2	SHELL	COPPER ALLOY	1	PLATED NICKEL	.X ± 0.3	.X' $\pm 1^*$						SEE NOTE
1	TERMINAL	COPPER ALLOY	5	PLATED GOLD/TIN	.XXX ± 0.15	.XXX'	FINISH SEE NOTE	CHKD: gan 2012/7/02	DWG NO.: AII-H80			
NO	PARTS	MATERIAL	QTY	FINISHING	THESE DRAWINGS AND SPECIFICATIONS ARE THE PROPERTY OF ACCURATE INNOTECH INC AND SHALL NOT BE REPRODUCED, COPIED OR USED IN ANY MANNER WITHOUT THE PRIOR WRITTEN CONSENT OF ACCURATE INNOTECH INC.		Q'TY	APPD:	SCALE	SHEET	REV.	CUSTOMER DRAWING