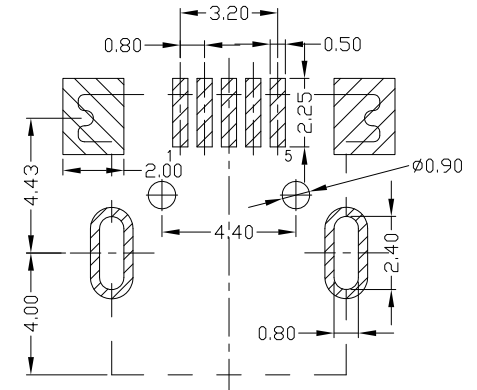
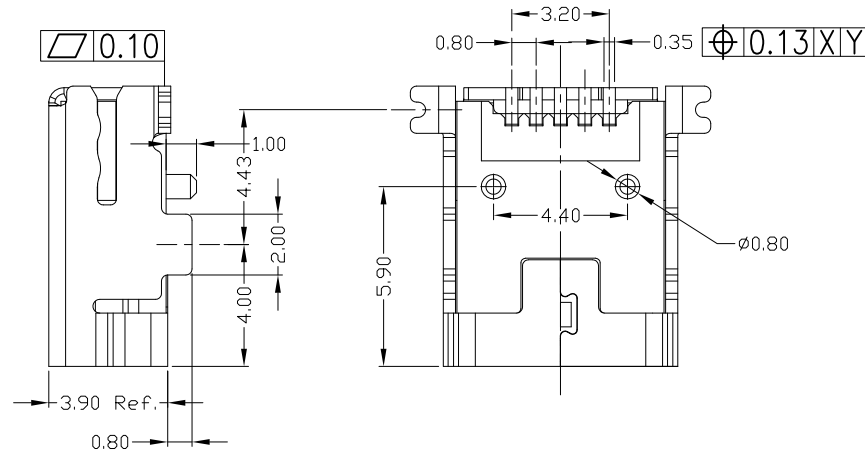
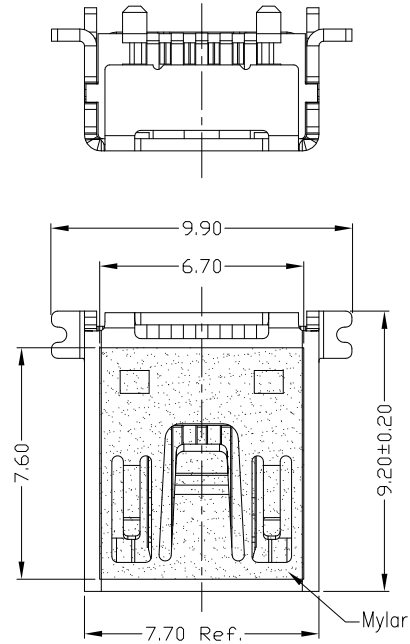
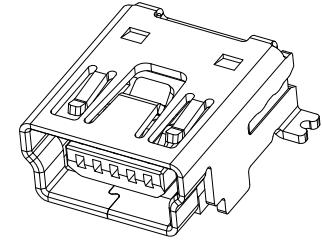


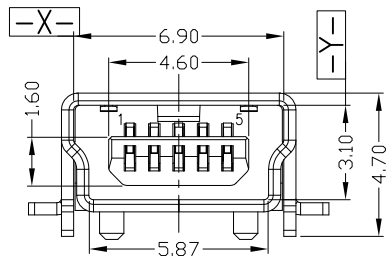


RoHS
Compliant
2002/95/EC

REV	LTR	DESCRIPTION	DATE	REVISER	APPD



RECOMMENDED P.C.B LAYOUT

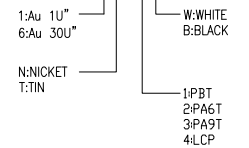


NOTES:

- ELECTRICAL:
 - VOLTAGE CURRENT RATING: 1.0AMP,30V AC;
 - INSULATION RESISTANCE: 100MΩ MIN;
 - CONTACT RESISTANCE: 50mΩ MAX;
 - WITHSTANDING VOLTAGE: 300V AC;
 - OPERATING TEMPERATURE: -25°C TO +85°C.
- Mechanical:
 - Mating Force: 35N MAX
 - Unmating Force: 7N MIN.
- DIMENSIONS MARKED "▼" TO BE CHECKED BY Q.C & IPQC.

4. PART NO.

MUBF-05*N-4BHUA353-M



Bill of materials:

NO	PARTS	MATERIAL	QTY	FINISHING	UNITS	mm	TITLE:	PART NO.:	DR:	CHKD:	APPD:	SCALE	SHEET	REV.	CUSTOMER DRAWING	
5				.X ±0.15	Ang1°		雅安科技有限公司					4:1	1/1	B		
4				.XX ±0.10		MAT'L	ACCURATE INNOTECH INC.									
3	SHELL	COPPER ALLOY	1	PLATED NICKEL/TIN	.XXX ±0.05	SEE NOTE	MINI USB 5P F SMT B Type	MUBF-05XN-4BHUA353-M								
2	HOUSING	LCP+30%GF	1	UL94V-0		FINISH	前插后贴有柱贴麦拉		Ricky	2017/10/11						
1	TERMINAL	COPPER ALLOY	5	PLATED GOLD/TIN		Q'TY		AII-HUA353		Ricky	2017/10/11					
					<small>THESE DRAWINGS AND SPECIFICATIONS ARE THE PROPERTY OF ACCURATE INNOTECH INC AND SHALL NOT BE REPRODUCED, COPIED OR USED IN ANY MANNER WITHOUT THE PRIOR WRITTEN CONSENT OF ACCURATE INNOTECH INC</small>											