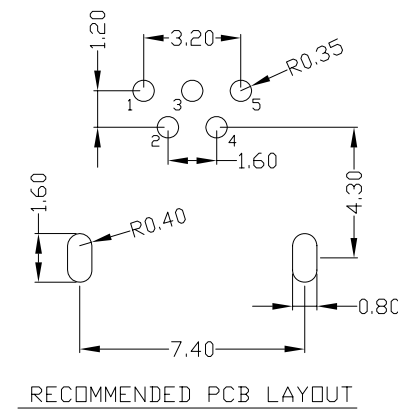
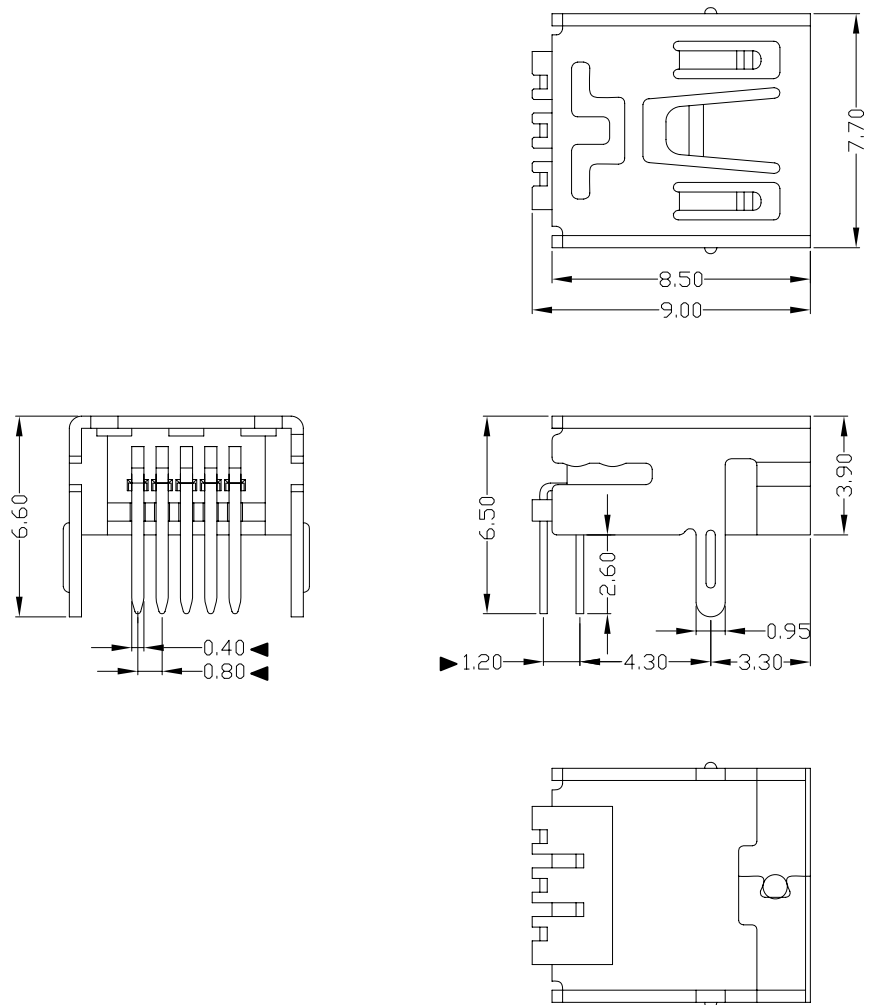




RoHS
Compliant
2002/95/EC

REV.	ECN. NO.	APPD.



NOTES:

1. ELECTRICAL:

- 1) VOLTAGE CURRENT RATING: 1.0AMP,30V AC;
- 2) INSULATION RESISTANCE: 100MΩ MIN;
- 3) CONTACT RESISTANCE: 50mΩ MAX;
- 4) WITHSTANDING VOLTAGE: 300V AC;
- 5) OPERATING TEMPERATURE:-55°C TO +85°C.

2. Mechanical:

- 1) Mating Force: 30N MAX
- 2) Unmating Force: 7N MIN.

3. DIMENSIONS MARKED "▼" TO BE CHECKED BY Q.C & IPQC.

4.PART NO.

MUBF-05*N-4BR86

1:1U*
6:1A 30U*

W:WHITE
B:BLACK
1:PBT
2:PA6T
3:PA9T
4:LCP

Bill of materials:

NO	PARTS	MATERIAL	QTY	FINISHING	X. ±0.35	X.* ±2*	UNITS	雅安科技有限公司 ACCURATE INNOTECH INC.					
					.X ±0.3	.X.* ±1*	mm						
3	HOUSING	LCP	1	UL94V-0	.XX ±0.25	.XX*	MAT'L	TITLE:	PART NO.:				
2	SHELL	COPPER ALLOY	1	PLATED NICKEL	.XXX ±0.15	.XXX*	SEE NOTE	MINI USB 5P/F 90° B型(两脚加长)	MUBF-05*N-4BR86				
1	TERMINAL	COPPER ALLOY	5	PLATED GOLD/TIN	FINISH			DR:	DWG NO.:				
THESE DRAWINGS AND SPECIFICATIONS ARE THE PROPERTY OF ACCURATE INNOTECH INC AND SHALL NOT BE REPRODUCED, COPIED OR USED IN ANY MANNER WITHOUT THE PRIOR WRITTEN CONSENT OF ACCURATE INNOTECH INC.					SEE NOTE			CHKD:	AII-R86				
					Q'TY			APPD:	SCALE	SHEET	REV.	CUSTOMER DRAWING	