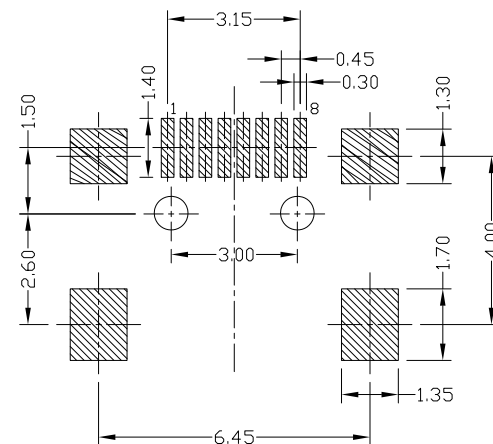
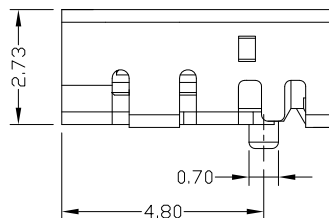
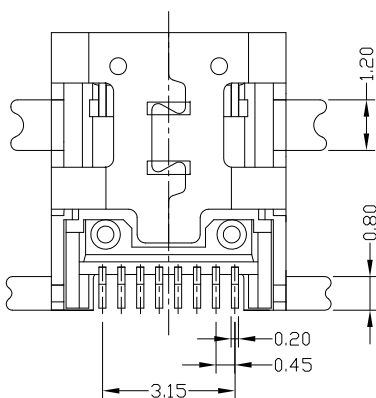
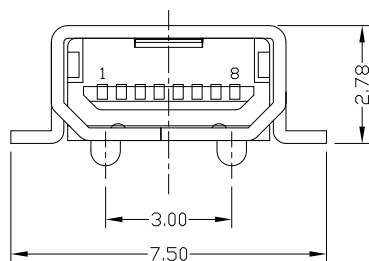
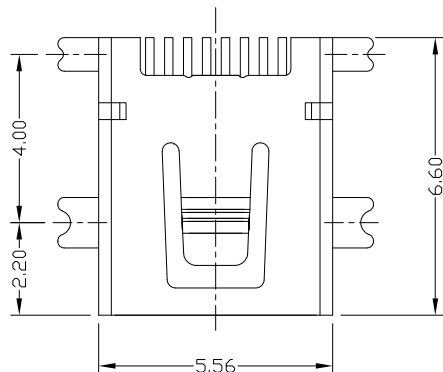




RoHS  
Compliant  
2002/95/EC

REV.	ECN.	NO.	APPD.



RECOMMENDED PCB LAYOUT

NOTES:

- ELECTRICAL:
  - VOLTAGE CURRENT RATING: 1.0AMP,30V DC;
  - INSULATION RESISTANCE: 100MΩ MIN;
  - CONTACT RESISTANCE: 50mΩ MAX;
  - WITHSTANDING VOLTAGE: 300V AC;
  - OPERATING TEMPERATURE:-55°C TO +85°C.
- Mechanical:
  - Mating Force: 30N MAX
  - Unmating Force: 7N MIN.
- DIMENSIONS MARKED "▼" TO BE CHECKED BY Q.C & IPQC.

4.PART NO.

MUBF-08\*N-4BV82

- 1:Au 1U"
- 6:Au 30U"
- N:NICKEL
- G:GOLD
- W:WHITE
- B:BLACK
- 1:PBT
- 2:PA6T
- 3:PA9T
- 4:LCP

Bill of materials:

NO	PARTS	MATERIAL	QTY	FINISHING	UNITS	mm	雅安科技有限公司 ACCURATE INNOTECH INC.				
3	HOUSING	LCP+30%GF	1	UL94V-0	X. ±0.35	X.* ±2°	SEE NOTE	TITLE: MINI USB SP/P SMT四脚(横顶/双边倒角)		PART NO: MUBF-08*N-4BV82	
2	SHELL	COPPER ALLOY	1	PLATED NICKEL/GOLD	.X ±0.3	.X* ±1°		DR: gan 2017/05/03		DWG NO: AII-V82	
1	TERMINAL	COPPER ALLOY	8	PLATED GOLD/TIN	.XXX ±0.15	.XXX*		CHKD: gan 2017/05/03		SCALE SHEET REV. CUSTOMER DRAWING	
NO	PARTS	MATERIAL	QTY	FINISHING	THESE DRAWINGS AND SPECIFICATIONS ARE THE PROPERTY OF ACCURATE INNOTECH INC AND SHALL NOT BE REPRODUCED, COPIED OR USED IN ANY MANNER WITHOUT THE PRIOR WRITTEN CONSENT OF ACCURATE INNOTECH INC.		APPD:	1:1	1/1	B	