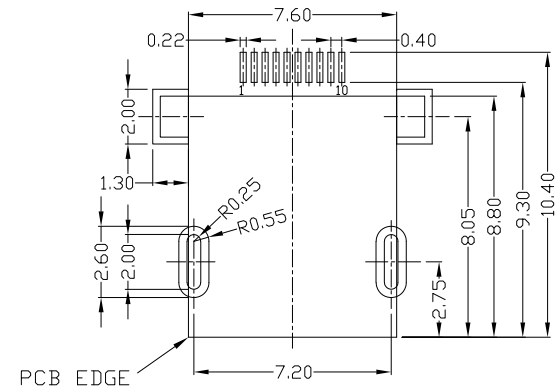
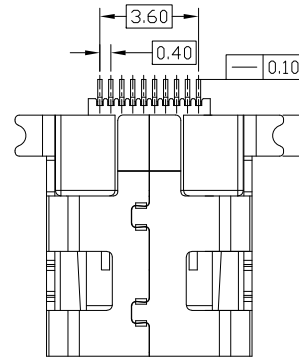
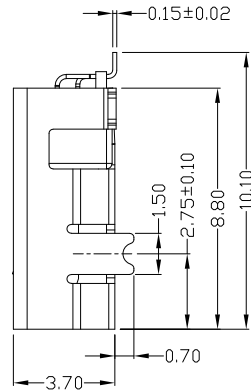
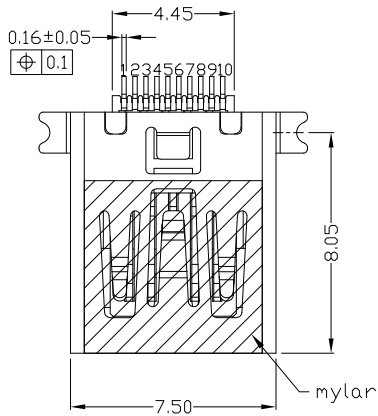
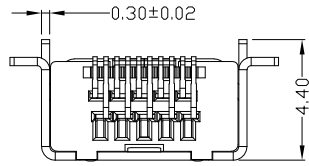


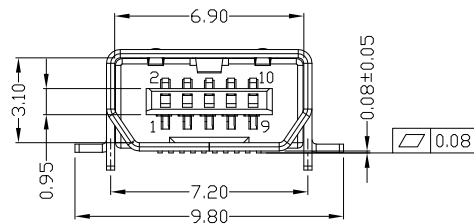


RoHS
Compliant
2002/95/EC

REV.	ECN. NO.	APPD.



RECOMMENDED PCB LAYOUT



NOTES:

1. ELECTRICAL:

- 1) VOLTAGE CURRENT RATING: 1.0AMP,100V AC;
- 2) INSULATION RESISTANCE: 100MΩ MIN;
- 3) CONTACT RESISTANCE: 50mΩ MAX;
- 4) WITHSTANDING VOLTAGE: 100V AC;
- 5) OPERATING TEMPERATURE:-30°C TO +80°C.

2. Mechanical:

- 1) Mating Force: 35N MAX
- 2) Unmating Force: 7N MIN.
- 3) Durability: 5,000 cycles

3. DIMENSIONS MARKED "▼" TO BE CHECKED BY Q.C & IPQC.

4.PART NO.

MUNF-101T-4BVUA121-M

1:Au 1U"
6:Au 30U"
W:WHITE
B:BLACK
1:PBT
2:PA6T
3:PA9T
4:LCP

Bill of materials:

NO	PARTS	MATERIAL	QTY	FINISHING
3	HOUSING	LCP+30%GF	1	UL94V-0
2	SHELL	COPPER ALLOY	1	PLATED TIN
1	TERMINAL	COPPER ALLOY	10	PLATED GOLD/TIN

UNITS	mm	雅安科技有限公司 ACCURATE INNOTECH INC.			
.X ±0.15	.X* ±1*	TITLE: MINI USB 10PIN PHILIPS 母座无柱贴片拉前插后贴	PART NO.:		
.XX ±0.10	.XX*		MUNF-101T-4BVUA121-M		
.XXX ±0.05	.XXX*		DWG NO.:		
SEE NOTE		DR: Ricky 2021/11/25	AII-VUA121-M		
SEE NOTE		CHKD: Ricky 2021/11/25	SCALE	SHEET	REV.
Q'TY		APPD:	4:1	1/1	B
		CUSTOMER DRAWING			

THESE DRAWINGS AND SPECIFICATIONS ARE THE PROPERTY OF ACCURATE INNOTECH INC AND SHALL NOT BE REPRODUCED, COPIED OR USED IN ANY MANNER WITHOUT THE PRIOR WRITTEN CONSENT OF ACCURATE INNOTECH INC.