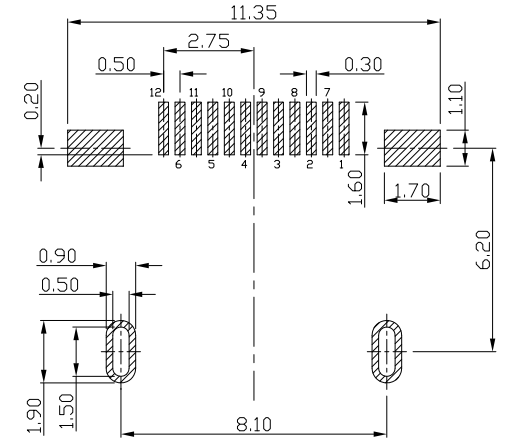
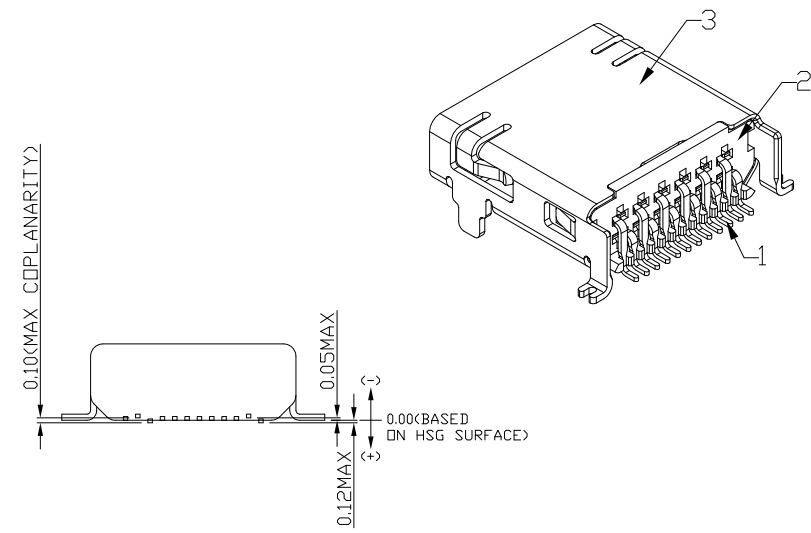
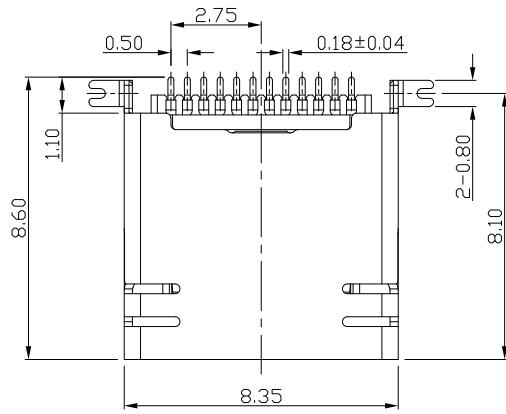


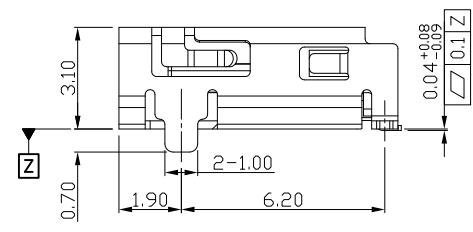
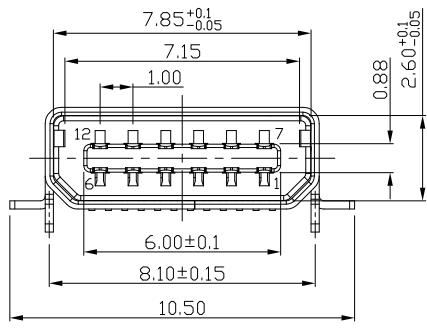


RoHS Compliant
2002/95/EC

REV	LTR	DESCRIPTION	DATE	REVISER	APPD



RECOMMENDED PCB LAYOUT<TOP SIDE>
TOLERANCE=±0.05



- NOTES:
- ELECTRICAL:
 - VOLTAGE CURRENT RATING: 0.3AMP,30V DC;
 - INSULATION RESISTANCE: >1000MΩ / 500V DC
 - CONTACT RESISTANCE: 50mΩ typical 100mΩ MAX;
 - WITHSTANDING VOLTAGE: 500V AC;
 - OPERATING TEMPERATURE:-40°C TO +80°C.
 - Mechanical:
 - Mating Force: 35N MAX
 - Unmating Force: 10N MIN.
 - Durability: 5000 CYCLES MIN.
 - DIMENSIONS MARKED "▼" TO BE CHECKED BY Q.C & IPQC.

4. PART NO.
MUNF-121T-4BV80
- | | | |
|----------|------|--------------------|
| 1-Au | 1U* | V-WHITE
B-BLACK |
| 6-Au | 30U* | |
| T-TIN | | 1-PBT |
| N-NICKEL | | 2-PA6T |
| | | 3-PA9T |
| | | 4-LCP |

Bill of materials:

NO	PARTS	MATERIAL	QTY	FINISHING
5				.X ±0.30 X.* ±5°
4				.XX ±0.20 .X.* ±2°
3	SHELL	COPPER ALLOY	1	PLATED TIN/NICKET
2	CONTACT	LCP+30%GF	1	UL94V-0
1	TERMINAL	COPPER ALLOY	12	PLATED GOLD/TIN

UNITS	mm
MAT'L	SEE NOTE
FINISH	SEE NOTE
Q'TY	

THESE DRAWINGS AND SPECIFICATIONS ARE THE PROPERTY OF ACCURATE INNOTECH INC AND SHALL NOT BE REPRODUCED, COPIED OR USED IN ANY MANNER WITHOUT THE PRIOR WRITTEN CONSENT OF ACCURATE INNOTECH INC

雅安科技有限公司
ACCURATE INNOTECH INC.

TITLE: MINI USB 12P F 前插后贴	PART NO.: MUNF-12XT-4BV80
DR: Ricky 2020/06/17	DWG NO.: AII-V80
CHKD: Ricky 2020/06/17	SCALE SHEET REV. CUSTOMER DRAWING
APPD:	1/1 1/1 B