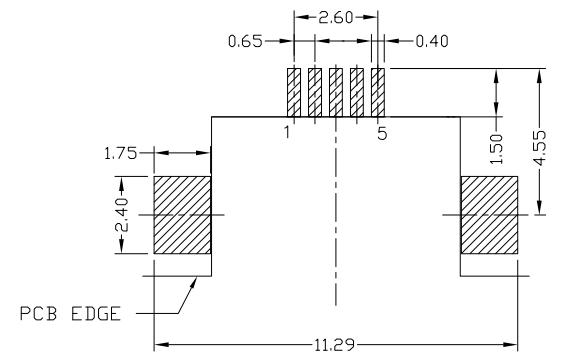
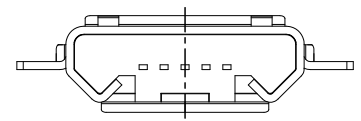
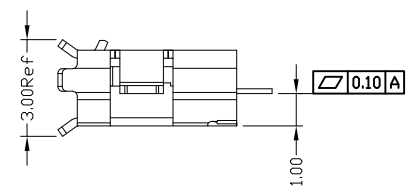
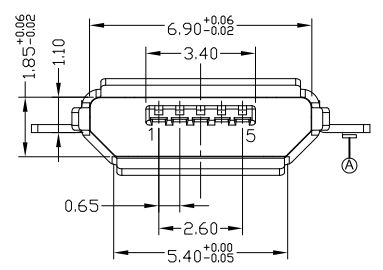
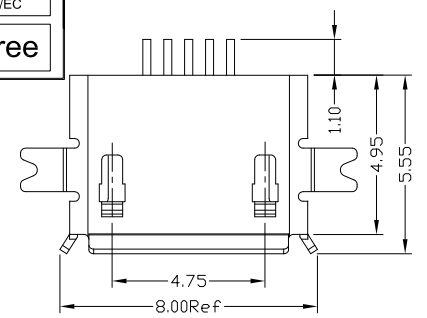
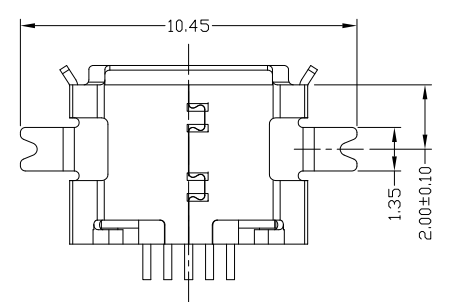

**RoHS Compliant**  
 2002/95/EC  
**Halogen Free**

REV.	ECN.	NO.	APPD.



RECOMMENDED PCB LAYOUT



**NOTES:**

- 1.ELECTRICAL:
- VOLTAGE CURRENT RATING: PIN1&5 1.8AMP MAX / PIN2&3&4 1AMP MAX. ,30V AC;
  - INSULATION RESISTANCE: 100MΩ MIN;
  - CONTACT RESISTANCE: 30mΩ MAX;
  - WITHSTANDING VOLTAGE: 100V AC; FOR 1 MIN.
  - OPERATING TEMPERATURE: -30°C TO +80°C.
- 2.Mechanical:
- Mating Force: 35N MAX
  - Unmating Force: 10N MIN.
- 3.DIMENSIONS MARKED "▼" TO BE CHECKED BY Q.C & IPQC.

4.PART NO.

MUYF-05\*T-4BHUA093

1:Au 1U\*  
 6:Au 30U\*

T:TIN  
 N:NICKEL

W:WHITE  
 B:BLACK  
 1:PBT  
 2:PA6T  
 3:PA9T  
 4:LCP

Bill of materials:

NO	PARTS	MATERIAL	QTY	FINISHING
3	SHELL	COPPER ALLOY	1	PLATED TIN
2	HOUSING	LCP+30%GF	1	UL94V-0
1	TERMINAL	COPPER ALLOY	5	PLATED GOLD

X. ±0.35	X.* ±2*	UNITS	mm
.X ±0.30	.X* ±1*	MAT'L	
.XX ±0.25	.XX*	SEE NOTE	
.XXX ±0.15	.XXX*	FINISH	
THESE DRAWINGS AND SPECIFICATIONS ARE THE PROPERTY OF ACCURATE INNOTECH AND SHALL NOT BE REPRODUCED, COPIED OR USED IN ANY MANNER WITHOUT THE PRIOR WRITTEN CONSENT OF ACCURATE INNOTECH INC.		Q'TY	

**雅安科技有限公司**  
**ACCURATE INNOTECH INC.**

TITLE: MICRO USB B TYPE F 5P  
SMT沉板1.0 两只脚

PART NO.: MUYF-05\*T-4BHUA093

DR: *Ricky* 2018/5/3

DWG NO.: AII-HUA093

CHKD: *Ricky* 2018/5/3

APPD: \_\_\_\_\_

SCALE	SHEET	REV.	CUSTOMER DRAWING
5:1	1/1	A	

