

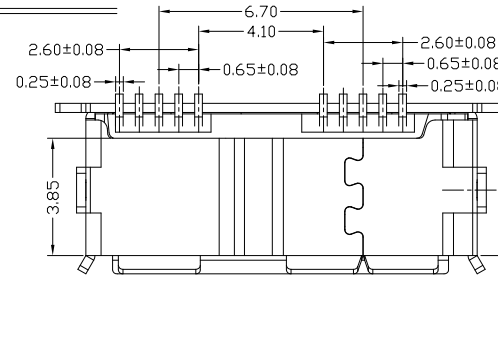
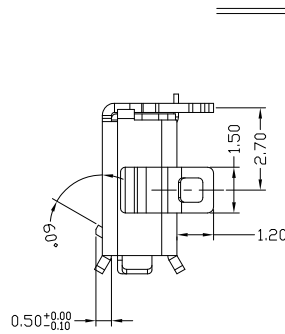
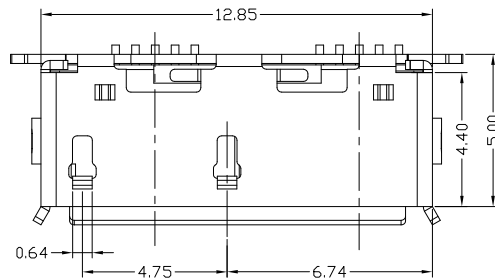
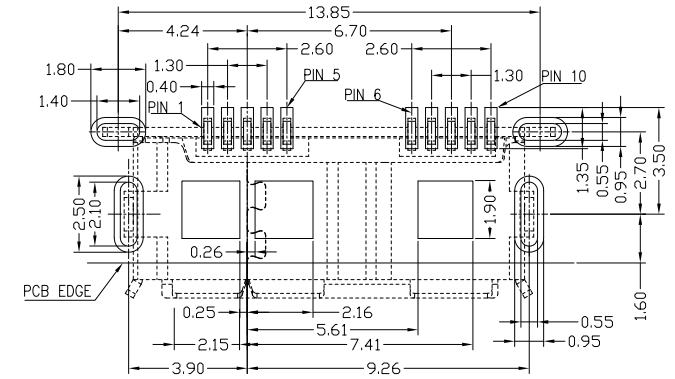
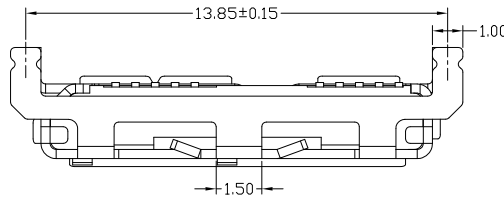


RoHS Compliant
2002/95/EC

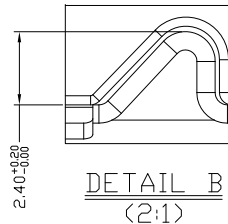
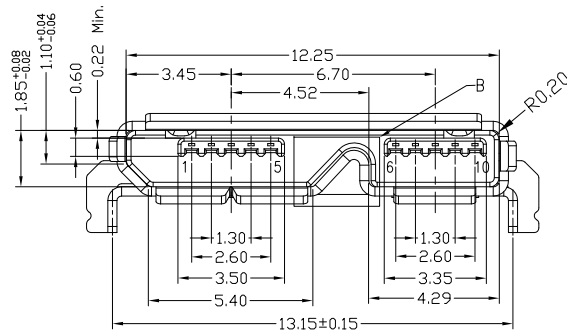
Pin No.	Signal Name	Description	Mating Sequence
1	VBUS	Power	Second
2	D-	USB 2.0 differential pair	Last
3	D+		
4	ID	OTG identification	Second
5	GND	Ground for power return	Second
6	MicB_SSTX-	SuperSpeed transmitter differential pair	Last
7	MicB_SSTX+		
8	GND_DRAIN	Ground for SuperSpeed signal return	Second
9	MicB_SSRX-	SuperSpeed receiver differential pair	Last
10	MicB_SSRX+		
Shell	Shield	Connector metal shell	First

PIN Assignment

REV	LTR	DESCRIPTION	DATE	REVISER	APPD



RECOMMENDED P.C.B LAYOUT



NOTES:

- ELECTRICAL:
 - VOLTAGE CURRENT RATING: 1.8AMP, 30V AC;
 - INSULATION RESISTANCE: 100MΩ MIN;
 - CONTACT RESISTANCE: 30mΩ MAX;
 - WITHSTANDING VOLTAGE: 100V AC;
 - OPERATING TEMPERATURE: -25°C TO +85°C.
- Mechanical:
 - Mating Force: 35N MAX
 - Unmating Force: 10N MIN.
- DIMENSIONS MARKED "▼"
TO BE CHECKED BY Q.C & IPQC.

4. PART NO.

MUYF-10*N-4BHUA386

1: Au 10"
5: Au 150"
6: Au 300"

W: WHITE
B: BLACK
BL: BLUE

1PBT
2PA6T
3PA9T
4LCP

Bill of materials:

NO	PARTS	MATERIAL	QTY	FINISHING	.X ±0.15	Ang1°
5					.X ±0.15	Ang1°
4					.XX ±0.10	
3	SHELL	STAINLESS STEEL	1	PLATED NICKEL	.XXX ±0.05	
2	HOUSING	LCP+30%GF	1	UL94V-0		
1	TERMINAL	COPPER ALLOY	10	PLATED GOLD/TIN		

THESE DRAWINGS AND SPECIFICATIONS ARE THE PROPERTY OF ACCURATE INNOTECH INC AND SHALL NOT BE REPRODUCED, COPIED OR USED IN ANY MANNER WITHOUT THE PRIOR WRITTEN CONSENT OF ACCURATE INNOTECH INC

UNITS mm				雅安科技有限公司 ACCURATE INNOTECH INC.			
SEE NOTE		FINISH SEE NOTE		DR: Ricky 2017/10/06		DWG NO.: AII-HUA386	
Q'TY		CHKD: Ricky 2017/10/06		SCALE		SHEET	
APPD:		APPD:		5:1		1/1	
				REV. B		CUSTOMER DRAWING	