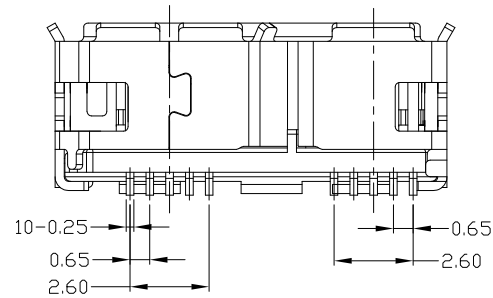
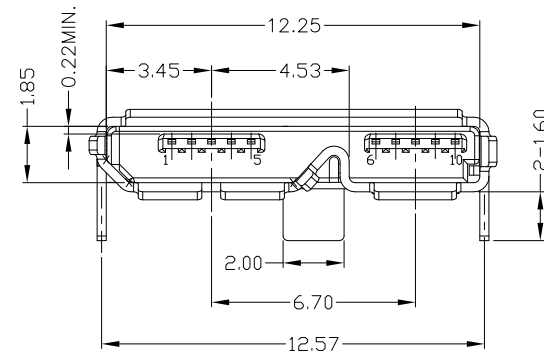
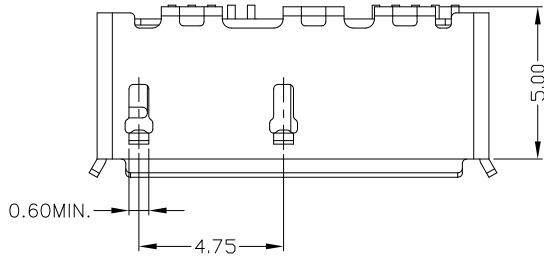


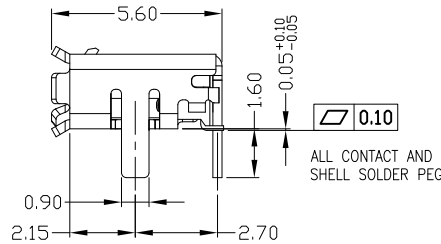


RoHS
Compliant
2002/95/EC

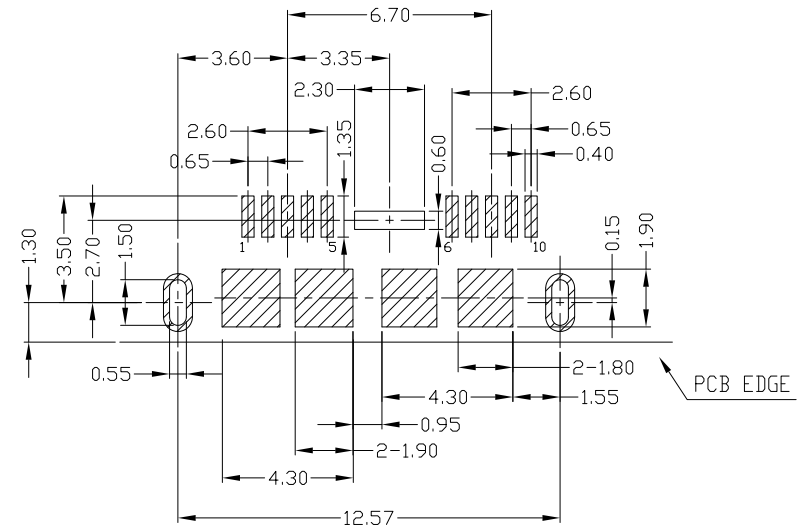
REV	LTR	DESCRIPTION	DATE	REVISER	APPD



PIN NUMBER	SIGNAL NAME
1	VBUS
2	D-
3	D+
4	ID
5	GND
6	MICB_SSTX-
7	MICB_SSTX+
8	GND_DRAIN
9	MICB_SSRX-
10	MICB_SSRX+
Shell	Shield



ALL CONTACT AND SHELL SOLDER PEG



RECOMMENDED P.C.B LAYOUT

NOTES:

- ELECTRICAL:
 - VOLTAGE CURRENT RATING: 1AMP, 30V AC;
 - INSULATION RESISTANCE: 100MΩ MIN;
 - CONTACT RESISTANCE: 30mΩ MAX;
 - WITHSTANDING VOLTAGE: 500V AC;
 - OPERATING TEMPERATURE: -40°C TO +85°C.
- Mechanical:
 - Mating Force: 35N MAX
 - Unmating Force: 10N MIN.
- DIMENSIONS MARKED "▼" TO BE CHECKED BY Q.C & IPQC.

4. PART NO.

MUYF-10*N-4BHW08
 1:Au 10"
 5:Au 15U"
 6:Au 30U"
 W:WHITE
 B:BLACK
 1PBT
 2FA6T
 3FA9T
 4LCP

Bill of materials:

NO	PARTS	MATERIAL	QTY	FINISHING
3	SHELL	STAINLESS STEEL	1	PLATED NICKEL
2	HOUSING	LCP+30%GF	1	UL94V-0
1	TERMINAL	COPPER ALLOY	10	PLATED GOLD/TIN

X. ±0.35	X.' ±2'	UNITS	雅安科技有限公司 ACCURATE INNOTECH INC.			
.X ±0.3	.X' ±1'	mm	TITLE: MICRO USB 3.0 B TYPE F 带DIP型加强脚 脚长1.60MM脚距12.57MM		PART NO.:	
.XX ±0.25	.XX'	MAT'L	SEE NOTE		MUYF-10*N-4BHW08	
.XXX ±0.15	.XXX'	FINISH	SEE NOTE		DWG NO.:	
THESE DRAWINGS AND SPECIFICATIONS ARE THE PROPERTY OF ACCURATE INNOTECH INC. AND SHALL NOT BE REPRODUCED, COPIED OR USED IN ANY MANNER WITHOUT THE PRIOR WRITTEN CONSENT OF ACCURATE INNOTECH INC.			Q'TY	DR: gan 2017/08/06	AII-HW08	
				CHKD: gan 2017/08/06	SCALE SHEET REV. CUSTOMER	
				APPD:	1:1 1/1 B DRAWING	