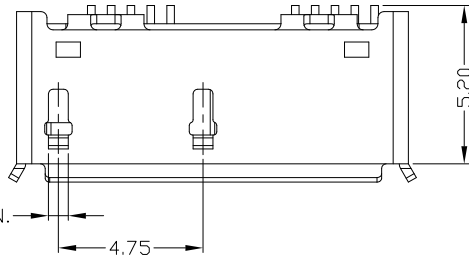


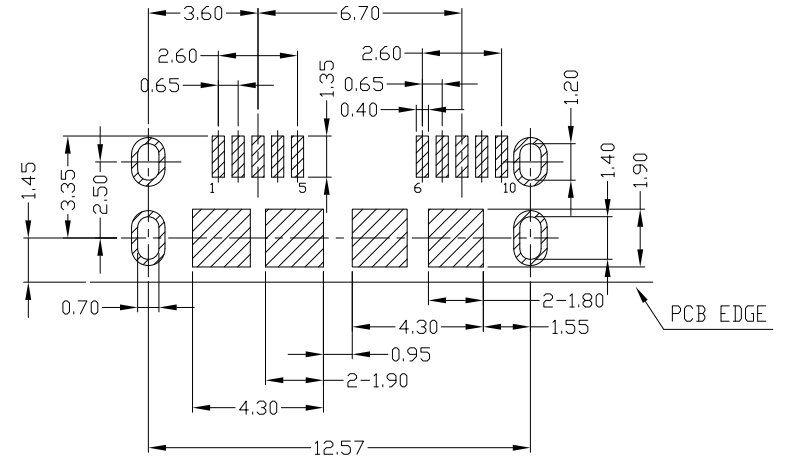


RoHS
Compliant
2002/95/EC

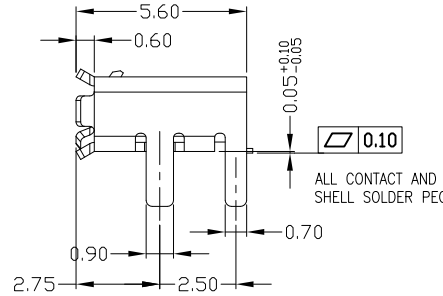
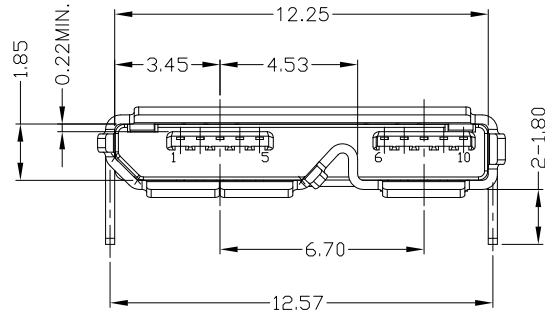
REV	LTR	DESCRIPTION	DATE	REVISER	APPD



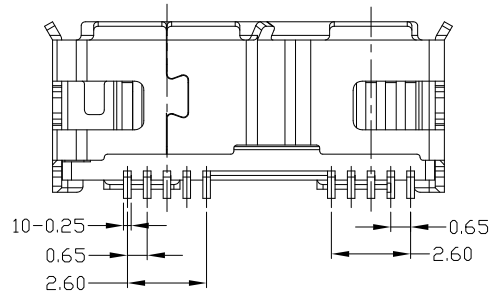
PIN NUMBER	SIGNAL NAME
1	VBUS
2	D-
3	D+
4	ID
5	GND
6	MICB_SSTX-
7	MICB_SSTX+
8	GND_DRAIN
9	MICB_SSRX-
10	MICB_SSRX+
Shell	Shield



RECOMMENDED P.C.B LAYOUT



ALL CONTACT AND SHELL SOLDER PEG



NOTES:

- ELECTRICAL:
 - VOLTAGE CURRENT RATING: 1AMP, 30V AC;
 - INSULATION RESISTANCE: 100MΩ MIN;
 - CONTACT RESISTANCE: 30mΩ MAX;
 - WITHSTANDING VOLTAGE: 500V AC;
 - OPERATING TEMPERATURE: -40°C TO +85°C.
- Mechanical:
 - Mating Force: 35N MAX
 - Unmating Force: 10N MIN.
- DIMENSIONS MARKED "▼" TO BE CHECKED BY Q.C & IPQC.

4. PART NO.

MUYF-10*N-4BHW09
 1:Au 1U"
 5:Au 15U"
 6:Au 30U"
 W:WHITE
 B:BLACK
 1PBT
 2PA6T
 3PA9T
 4LCP

Bill of materials:

NO	PARTS	MATERIAL	QTY	FINISHING	X. ±0.35	X.' ±2'	UNITS	雅安科技有限公司 ACCURATE INNOTECH INC.							
3	SHELL	STAINLESS STEEL	1	PLATED NICKEL	.X ±0.3	.X' ±1'	mm	TITLE: MICRO USB 3.0 B TYPE F 外壳四脚插板脚 长1.80MM脚距12.57MM PART NO.: MUYF-10*N-4BHW09							
2	HOUSING	LCP+30%GF	1	UL94V-0	.XX ±0.25	.XX'	MAT'L					DR: gan 2017/08/06 DWG NO.: AII-HW09			
1	TERMINAL	COPPER ALLOY	10	PLATED GOLD/TIN	.XXX ±0.15	.XXX'	SEE NOTE								
NO	PARTS	MATERIAL	QTY	FINISHING	THESE DRAWINGS AND SPECIFICATIONS ARE THE PROPERTY OF ACCURATE INNOTECH INC AND SHALL NOT BE REPRODUCED, COPIED OR USED IN ANY MANNER WITHOUT THE PRIOR WRITTEN CONSENT OF ACCURATE INNOTECH INC		Q'TY	SCALE	SHEET	REV.	CUSTOMER DRAWING				

SCALE: 1:1
 SHEET: 1/1
 REV.: B
 CUSTOMER DRAWING