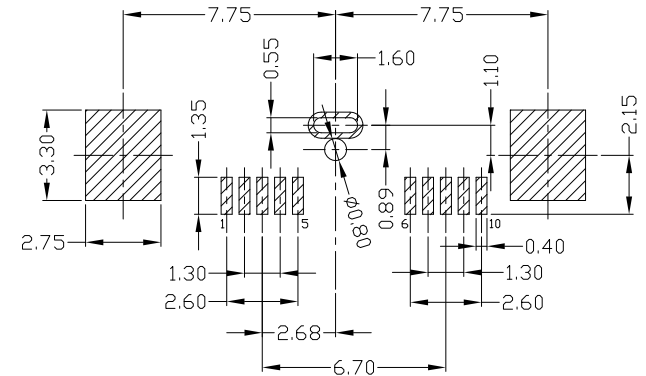
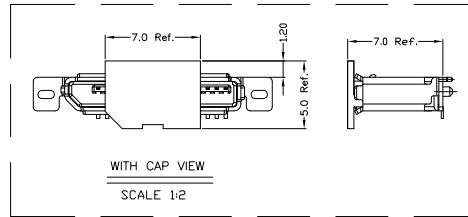
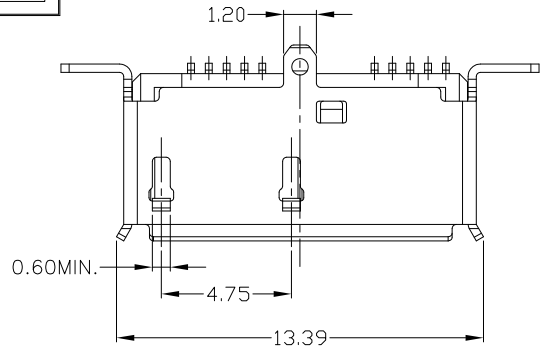


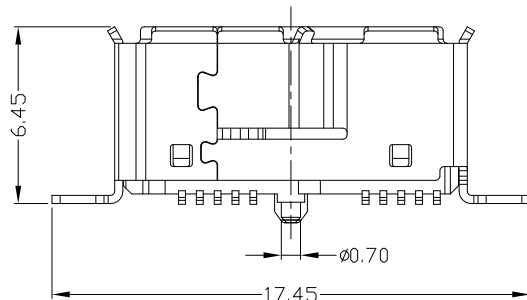
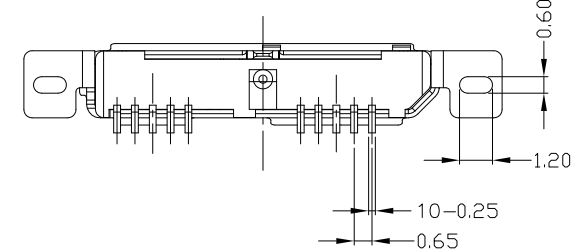
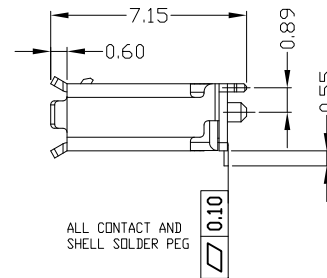
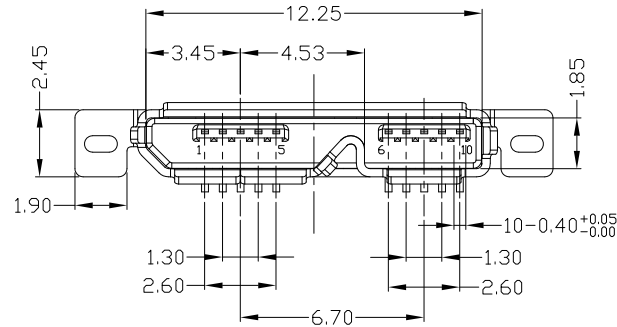


RoHS  
Compliant  
2002/95/EC

REV	LTR	DESCRIPTION	DATE	REVISER	APPD



RECOMMENDED P.C.B LAYOUT



PIN NUMBER	SIGNAL NAME
1	VBUS
2	D-
3	D+
4	ID
5	GND
6	MICB_SSTX-
7	MICB_SSTX+
8	GND_DRAIN
9	MICB_SSRX-
10	MICB_SSRX+
Shell	Shield

NOTES:

- ELECTRICAL:
  - VOLTAGE CURRENT RATING: 1AMP, 30V AC;
  - INSULATION RESISTANCE: 100MΩ MIN;
  - CONTACT RESISTANCE: 30mΩ MAX;
  - WITHSTANDING VOLTAGE: 500V AC;
  - OPERATING TEMPERATURE: -40°C TO +85°C.
- Mechanical:
  - Mating Force: 35N MAX
  - Unmating Force: 10N MIN.
- DIMENSIONS MARKED "▼" TO BE CHECKED BY Q.C & IPQC.

4. PART NO.

MUYF-10\*N-4BQW00-C

1: Au 10"  
5: Au 15U"  
6: Au 30U"

W: WHITE  
B: BLACK  
1PBT  
2PA6T  
3PA9T  
4LCP

Bill of materials:

NO	PARTS	MATERIAL	QTY	FINISHING
3	SHELL	STAINLESS STEEL	1	PLATED NICKEL
2	HOUSING	LCP+30%GF	1	UL94V-0
1	TERMINAL	COPPER ALLOY	10	PLATED GOLD/TIN
NO	PARTS	MATERIAL	QTY	FINISHING

UNITS	MAT'L	FINISH	Q'TY
mm	SEE NOTE	SEE NOTE	SEE NOTE
mm	SEE NOTE	SEE NOTE	SEE NOTE
mm	SEE NOTE	SEE NOTE	SEE NOTE
mm	SEE NOTE	SEE NOTE	SEE NOTE

雅安科技有限公司  
ACCURATE INNOTECH INC.

TITLE: MICRO USB 3.0 B TYPE F 180度直立式 短体H=6.5 圆形柱子  
DR: gan 2017/08/06  
CHKD: gan 2017/08/06  
APPD: gan 2017/08/06

PART NO.: MUYF-10\*N-4BQW00-C  
DWG NO.: AII-QW00-C  
SCALE: 1:1 SHEET: 1/1 REV: B CUSTOMER DRAWING

THESE DRAWINGS AND SPECIFICATIONS ARE THE PROPERTY OF ACCURATE INNOTECH INC. AND SHALL NOT BE REPRODUCED, COPIED OR USED IN ANY MANNER WITHOUT THE PRIOR WRITTEN CONSENT OF ACCURATE INNOTECH INC.