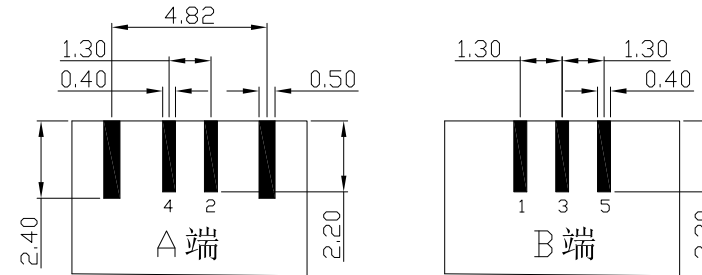
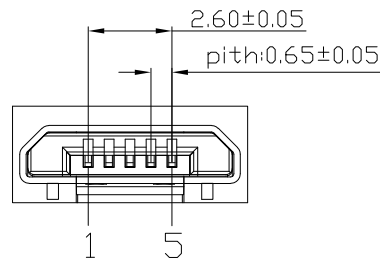


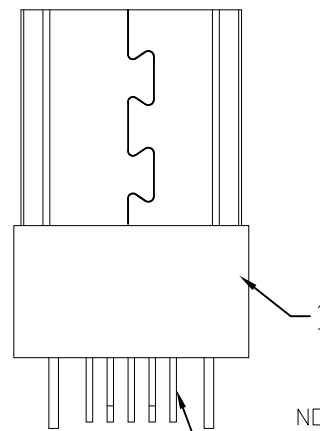
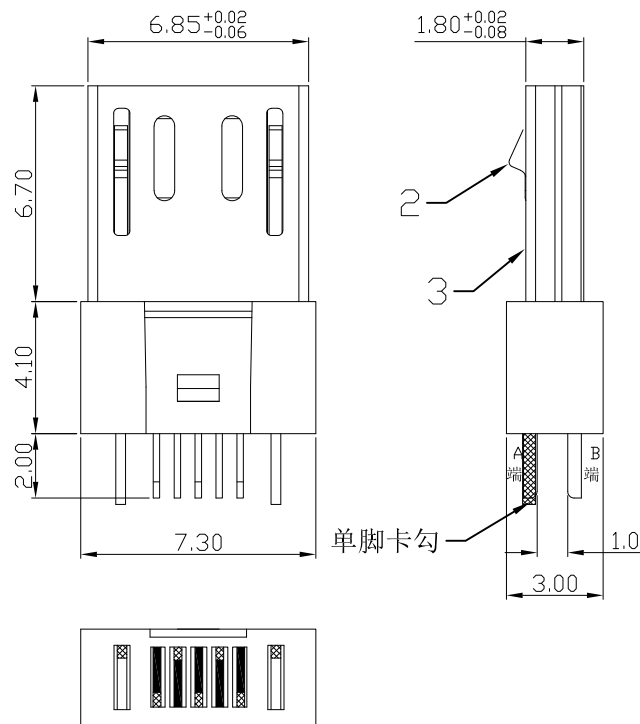


RoHS  
Compliant  
2002/95/EC

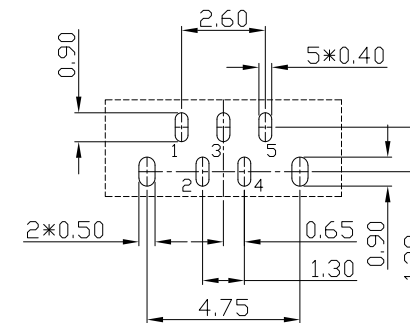
REV.	ECN.	NO.	APPD.



RECOMMENDED P.C.B. LAYOUT  
TOP VIEW



Pin针: 1.3.5(B端)  
2.4(A端)



RECOMMENDED P.C.B. LAYOUT  
TOP VIEW (TOLRANCE: ±0.10)

NOTES:

1.ELECTRICAL:

- 1)VOLTAGE CURRENT RATING: 1AMP, 100V AC;
- 2)INSULATION RESISTANCE: 100MΩ MIN;
- 3)CONTACT RESISTANCE: 50mΩ MAX AT 20mV MAX, 50mA.
- 4)WITHSTANDING VOLTAGE: 500V AC FOR 1MINUTE.
- 5)OPERATING TEMPERATURE:-25°C TO +85°C.

2.Mechanical:

- 1)Mating Force: 35N MAX
- 2)Unmating Force: 8N MIN.

3.DIMENSIONS MARKED "▼"

TO BE CHECKED BY Q.C & IPQC.

4.PART NO.

MUYM-051N-4BSU50

1:Au 1U\*  
6:Au 30U\*

W:WHITE  
B:BLACK

1:PBT  
2:PA6T  
3:PA9T  
4:LCP

Bill of materials:

NO	PARTS	MATERIAL	QTY	FINISHING	.X	±0.30	.X'	±5'	UNITS	mm	
5					.XX	±0.20	.XX'	±2'	MAT'L		
4	CONTACT	COPPER ALLOY	5	PLATED GOLD/TIN	.XXX	±0.10			SEE NOTE		
3	SHELL	STAINLESS STEEL	1	PLATED NICKEL					FINISH		
2	LATCH	STAINLESS STEEL	2	PLATED NICKEL					SEE NOTE		
1	HOUSING	LCP+30%GF	1	UL94V-0					Q'TY		
					THESE DRAWINGS AND SPECIFICATIONS ARE THE PROPERTY OF ACCURATE INNOTECH AND SHALL NOT BE REPRODUCED, COPIED OR USED IN ANY MANNER WITHOUT THE PRIOR WRITTEN CONSENT OF ACCURATE INNOTECH INC						

雅安科技有限公司  
ACCURATE INNOTECH INC.

TITLE: MICRO USB BM 1.0夹板2.0尾  
卡勾带脚无卡点两杠

PART NO.: MUYM-05XN-4BSU50

DR: Ricky 2022/05/20

DWG NO.:

CHKD: Ricky 2022/05/20

AII-SU50

APPD:

SCALE SHEET REV. CUSTOMER DRAWING

1:1 1/1 A