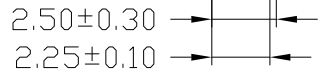
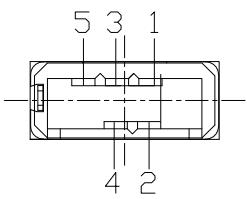
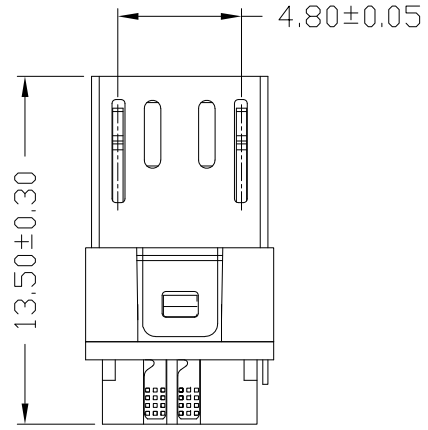
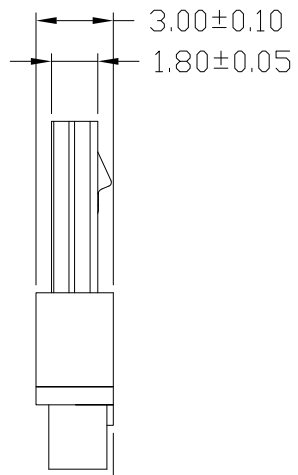
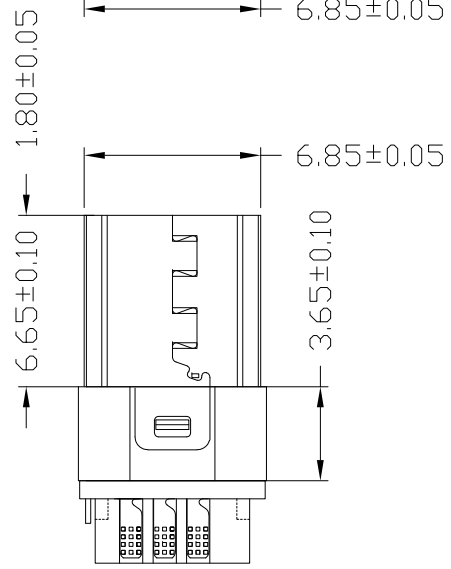
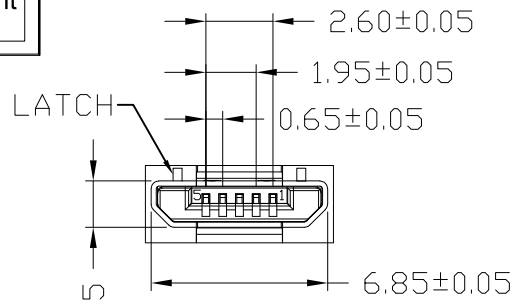




RoHS
Compliant
2002/95/EC

REV.	ECN.	NO.	APPD.



NOTES:

- ELECTRICAL:
 - VOLTAGE CURRENT RATING: 1.5AMP, 30V AC;
 - INSULATION RESISTANCE: 100MΩ MIN; 250V DC
 - CONTACT RESISTANCE: 30mΩ MAX;
 - WITHSTANDING VOLTAGE: 250V AC;
 - OPERATING TEMPERATURE: -30°C TO +85°C.
- MECHANICAL:
 - MATING FORCE: 35N MAX.
 - UNMATING FORCE: 10N MIN.
- DIMENSIONS MARKED "▼"
TO BE CHECKED BY Q.C & IPQC.

4. PART NO.
MUYM-051N-4BSU55

W: WHITE
B: BLACK

1: Au 1U"
6: Au 30U"

1: PBT
2: PA6T
3: PA9T
4: LCP

Bill of materials:

NO	PARTS	MATERIAL	QTY	FINISHING
5				
4	LATCH	STAINLESS STEEL	2	
3	SHELL	STAINLESS STEEL	1	PLATED NICKEL
2	TERMINAL	COPPER ALLOY	5	PLATED GOLD/TIN
1	HOUSING	LCP+30%GF	1	UL94V-0

.X	±0.30	.X'	±5'	UNITS	mm
.XX	±0.20	.XX'	±2'	MAT'L	
.XXX	±0.10			SEE NOTE	
				FINISH	
				SEE NOTE	
				Q'TY	

THESE DRAWINGS AND SPECIFICATIONS ARE THE PROPERTY OF ACCURATE INNOTECH AND SHALL NOT BE REPRODUCED, COPIED OR USED IN ANY MANNER WITHOUT THE PRIOR WRITTEN CONSENT OF ACCURATE INNOTECH INC.

雅安科技有限公司 ACCURATE INNOTECH INC.			
TITLE: MICRO USB BM 5P 普通3.0 前后五双排		PART NO.: MUYM-05XN-4BSU55	
DR: Ricky 2023/03/17		DWG NO.: AII-SU55	
CHKD: Ricky 2023/03/17		SCALE	SHEET
APPD:		1:1	1/1
		REV.	A
		CUSTOMER DRAWING	

