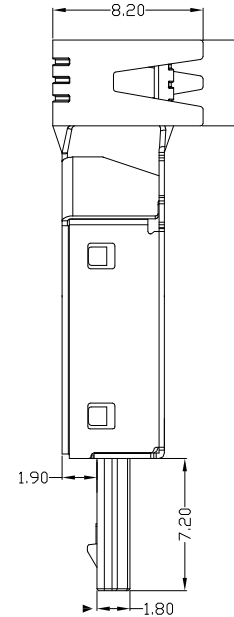
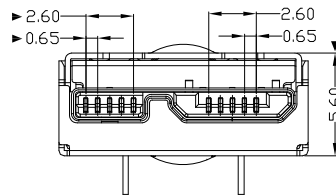
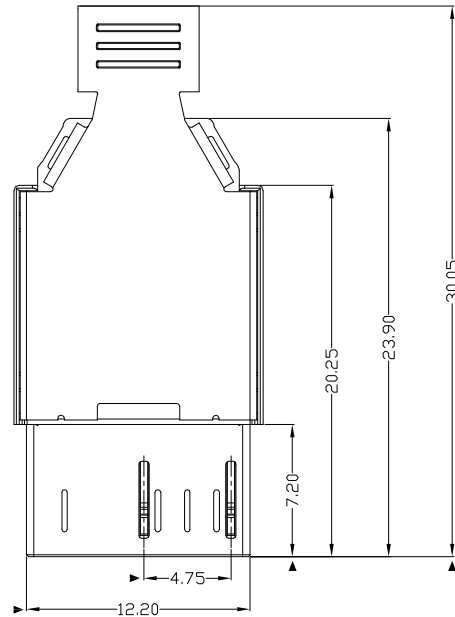
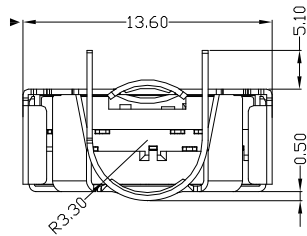




RoHS
Compliant
2002/95/EC

REV	LTR	DESCRIPTION	DATE	REVISER	APPD



NOTES:

- ELECTRICAL:
 - VOLTAGE CURRENT RATING: 1AMP, 30V AC;
 - INSULATION RESISTANCE: 100MΩ MIN;
 - CONTACT RESISTANCE: 30mΩ MAX;
 - WITHSTANDING VOLTAGE: 500V AC;
 - OPERATING TEMPERATURE: -40°C TO +85°C.
- Mechanical:
 - Mating Force: 35N MAX
 - Unmating Force: 10N MIN.
- NOTE: 1. DIMENSIONS MARKED "▼" TO BE CHECKED BY Q.C & IPQC.
- PART NO.

MUYM-105N-4BSS10

1: Au 1U*
5: Au 15U*
6: Au 30U*
W: WHITE
B: BLACK
1: PBT
2: PA6T
3: PA9T
4: LCP

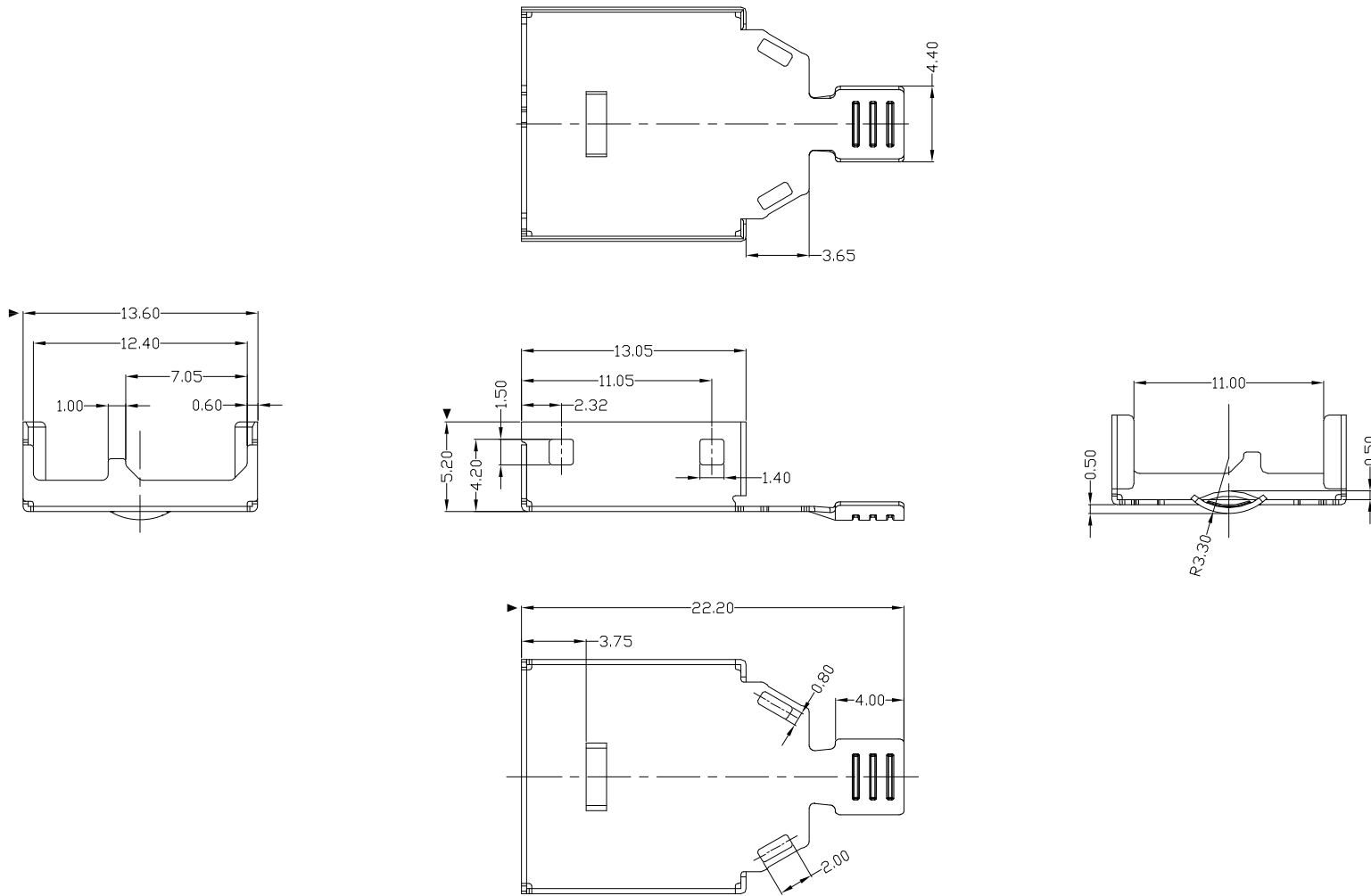
Bill of materials:

NO	PARTS	MATERIAL	QTY	FINISHING						
5	HOOK	STAINLESS STEEL	1	PLATED NICKEL	X. ±0.35	X.' ±2'	UNITS	mm	<p style="text-align: center;">雅安科技有限公司 ACCURATE INNOTECH INC.</p> <p>TITLE: Micro USB 3.0 B TYPE MALE PART NO.: MUYM-105N-4BSS10</p> <p>DR: gan 2012/8/3 DWG NO.: AII-SS10</p> <p>CHKD: gan 2012/8/3</p> <p>APPD: SCALE: 1:1 SHEET: 1/1 REV: B CUSTOMER DRAWING</p>	
4	SHELL	SPCC	1	PLATED NICKEL	.X ±0.3	.X' ±1'	MAT'L	SEE NOTE		
3	HOUSING SHELL	COPPER ALLOY	1	PLATED NICKEL	.XX ±0.25	.XX'	FINISH	SEE NOTE		
2	HOUSING	LCP/PBT	1	UL94V-0	.XXX ±0.15	.XXX'	Q'TY	SEE NOTE		
1	TERMINAL	COPPER ALLOY	10	PLATED GOLD/TIN						
					<small>THESE DRAWINGS AND SPECIFICATIONS ARE THE PROPERTY OF ACCURATE INNOTECH INC. AND SHALL NOT BE REPRODUCED, COPIED OR USED IN ANY MANNER WITHOUT THE PRIOR WRITTEN CONSENT OF ACCURATE INNOTECH INC.</small>					



RoHS
Compliant
2002/95/EC

REV	LTR	DESCRIPTION	DATE	REVISER	APPD



NOTES:

1. Material:

Shell: SPCC Plating Ni

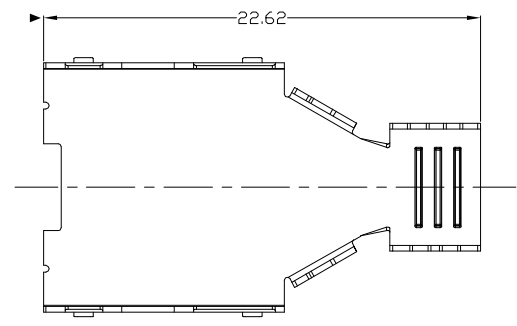
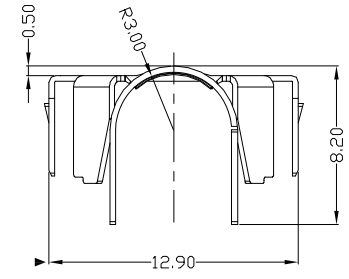
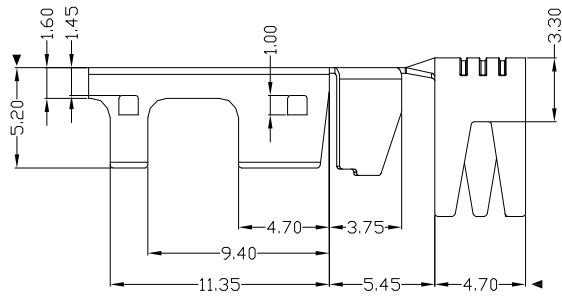
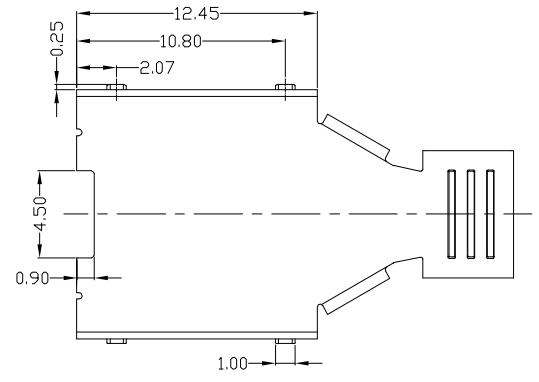
2. NOTE: DIMENSIONS MARKED "▼" TO BE CHECKED BY Q.C & IPQC.

X. ±0.35	X.' ±2'	UNITS	雅安科技有限公司			
.X ±0.3	.X' ±1'	MAT'L	ACCURATE INNOTECH INC.			
.XX ±0.25	.XX'	SEE NOTE	TITLE: Micro USB 3.0 B TYPE MALE (Bottom Shell)		PART NO.: MUYM-105N-4BSS10	
.XXX ±0.15	.XXX'	FINISH	DR: gan 2012/8/3		DWG NO.: AII-SS10	
THESE DRAWINGS AND SPECIFICATIONS ARE THE PROPERTY OF ACCURATE INNOTECH INC. AND SHALL NOT BE REPRODUCED, COPIED OR USED IN ANY MANNER WITHOUT THE PRIOR WRITTEN CONSENT OF ACCURATE INNOTECH INC.		SEE NOTE	CHKD: gan 2012/8/3		SCALE	SHEET
		Q'TY	APPD:		1:1	1/1
					REV.	CUSTOMER DRAWING
					B	



RoHS
Compliant
2002/95/EC

REV	LTR	DESCRIPTION	DATE	REVISER	APPD



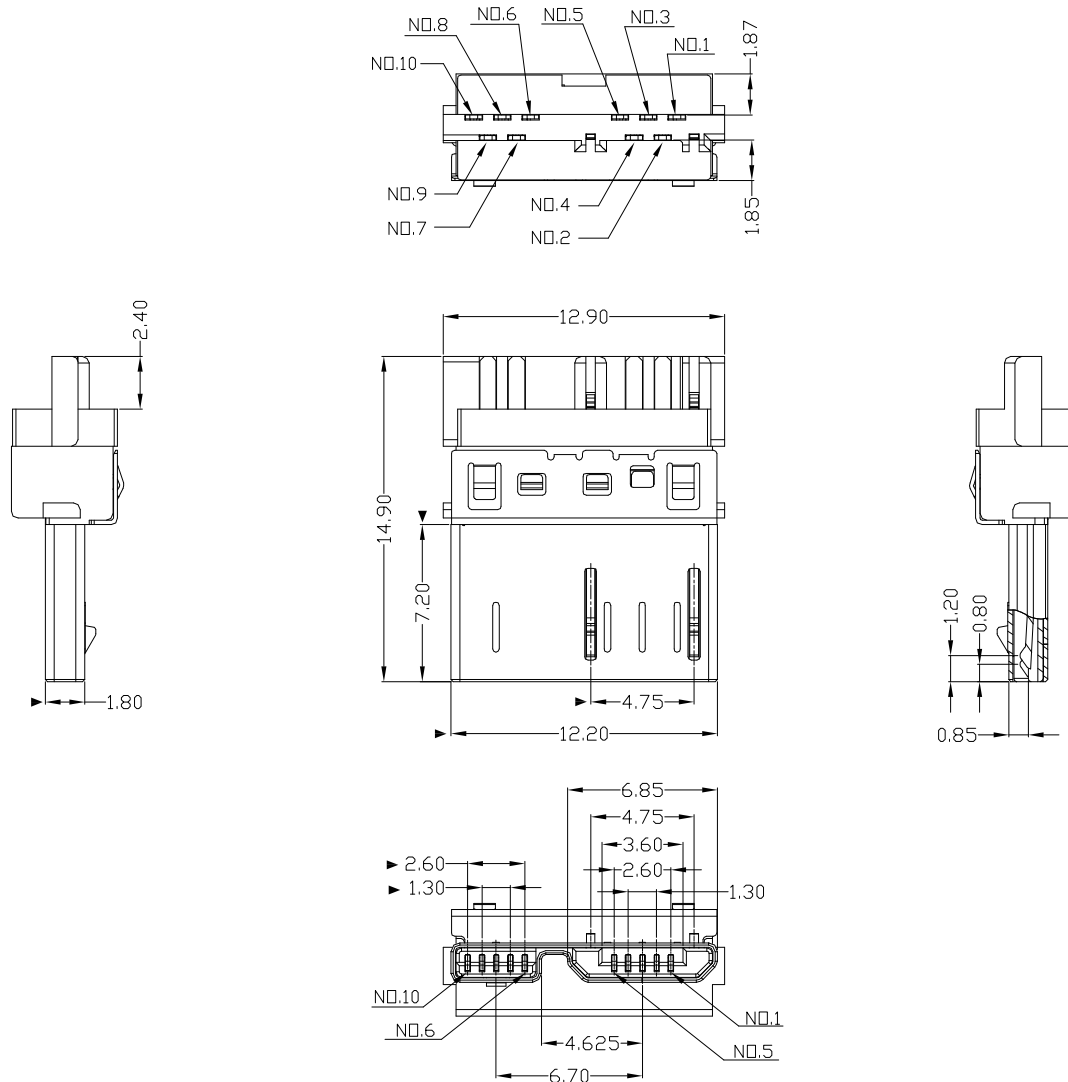
NOTES:
1. Material:
Shell: SPCC Plating Ni
2. NOTE: DIMENSIONS MARKED "▼" TO BE CHECKED BY Q.C & IPQC.

X. ±0.35	X.' ±2°	UNITS	雅安科技有限公司 ACCURATE INNOTECH INC.						
.X ±0.3	.X' ±1°	MAT'L	TITLE: Micro USB 3.0 B TYPE MALE (Top Shell)		PART NO.: MUYM-105N-4BSS10				
.XX ±0.25	.XX°	SEE NOTE							
.XXX ±0.15	.XXX°	FINISH	DR: gan 2012/8/3		DWG NO.: AII-SS10				
THESE DRAWINGS AND SPECIFICATIONS ARE THE PROPERTY OF ACCURATE INNOTECH INC. AND SHALL NOT BE REPRODUCED, COPIED OR USED IN ANY MANNER WITHOUT THE PRIOR WRITTEN CONSENT OF ACCURATE INNOTECH INC.									
			SEE NOTE	CHKD: gan 2012/8/3		SCALE	SHEET	REV.	CUSTOMER DRAWING
			Q'TY	APPD:					



RoHS
Compliant
2002/95/EC

REV	LTR	DESCRIPTION	DATE	REVISER	APPD



- NOTES:
- ELECTRICAL:
 - VOLTAGE CURRENT RATING: 1AMP, 30V AC;
 - INSULATION RESISTANCE: 100MΩ MIN;
 - CONTACT RESISTANCE: 30mΩ MAX;
 - WITHSTANDING VOLTAGE: 500V AC;
 - OPERATING TEMPERATURE: -40°C TO +85°C.
 - Mechanical:
 - Mating Force: 35N MAX
 - Unmating Force: 10N MIN.
 - NOTE: 1. DIMENSIONS MARKED "▼" TO BE CHECKED BY Q.C & IPQC.
 - PART NO.

MUYM-105N-4BSS10

1Au 1U'	W/WHITE
5Au 15U'	B/BLACK
6Au 30U'	1PB1
	2PA6T
	3FA9T
	4LCP

Bill of materials:

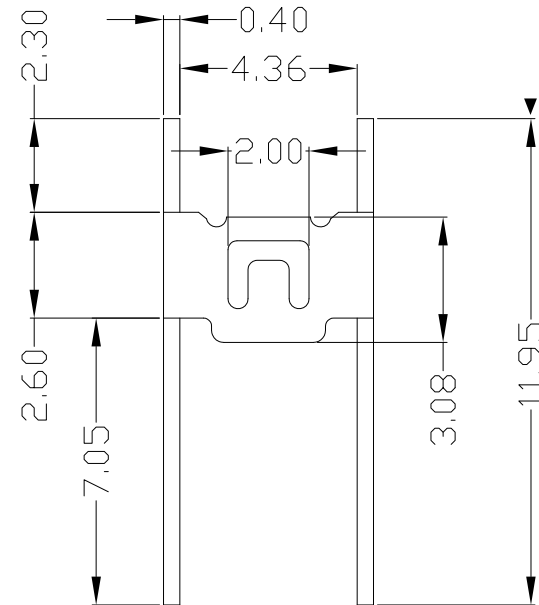
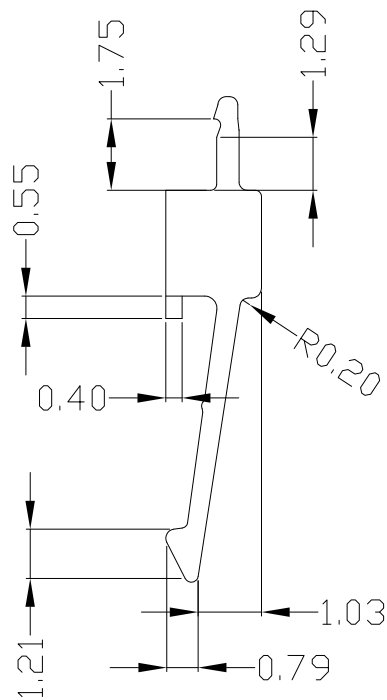
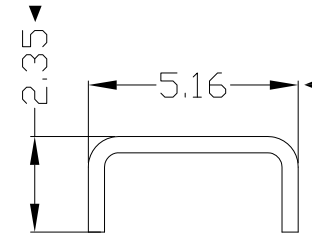
NO	PARTS	MATERIAL	QTY	FINISHING				
4	HOOK	STAINLESS STEEL	1	PLATED NICKEL	X. ±0.35	X.' ±2'	UNITS	mm
3	HOUSING SHELL	COPPER ALLOY	1	PLATED NICKEL	.X ±0.3	.X' ±1'	MAT'L	SEE NOTE
2	HOUSING	LCP/PBT	1	UL94V-0	.XX ±0.25	.XX'	FINISH	SEE NOTE
1	TERMINAL	COPPER ALLOY	10	PLATED GOLD/TIN	.XXX ±0.15	.XXX'	Q'TY	SEE NOTE
					<small>THESE DRAWINGS AND SPECIFICATIONS ARE THE PROPERTY OF ACCURATE INNOTECH INC AND SHALL NOT BE REPRODUCED, COPIED OR USED IN ANY MANNER WITHOUT THE PRIOR WRITTEN CONSENT OF ACCURATE INNOTECH INC</small>			

雅安科技有限公司			
ACCURATE INNOTECH INC.			
TITLE: Micro USB 3.0 BM主体		PART NO.: MUYM-105N-4BSS10	
DR: gan 2012/8/3		DWG NO.: AII-SS10	
CHKD: gan 2012/8/3		SCALE: 1:1	SHEET: 1/1
APPD:		REV.: B	CUSTOMER DRAWING



RoHS
Compliant
2002/95/EC

REV	LTR	DESCRIPTION	DATE	REVISER	APPD



NOTES:

1. Material:
HOOK: STAINLESS STEEL Plating Ni
2. NOTE: DIMENSIONS MARKED "▼" TO BE CHECKED BY Q.C & IPQC.

X. ±0.35	X.' ±2'	UNITS	雅安科技有限公司 ACCURATE INNOTECH INC.			
.X ±0.3	.X' ±1'	MAT'L	TITLE:		PART NO.:	
.XX ±0.25	.XX'	SEE NOTE	Micro USB 3.0 BM (HOOK)		MUYM-105N-4BSS10	
.XXX ±0.15	.XXX'	FINISH	DR: gan 2012/8/3		DWG NO.:	
THESE DRAWINGS AND SPECIFICATIONS ARE THE PROPERTY OF ACCURATE INNOTECH INC. AND SHALL NOT BE REPRODUCED, COPIED OR USED IN ANY MANNER WITHOUT THE PRIOR WRITTEN CONSENT OF ACCURATE INNOTECH INC.		SEE NOTE	CHKD: gan 2012/8/3		AII-SS10	
		Q'TY	APPD:		SCALE	
					SHEET	
					REV.	
					CUSTOMER DRAWING	
			1:1	1/1	B	