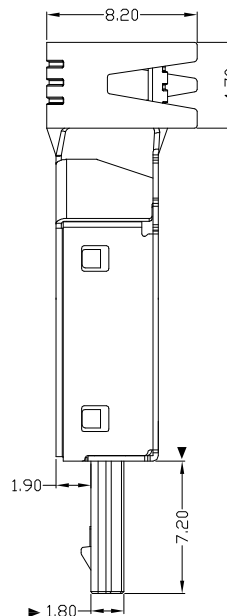
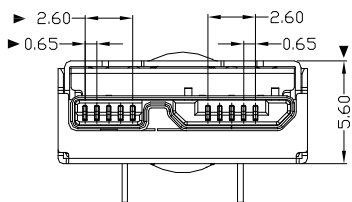
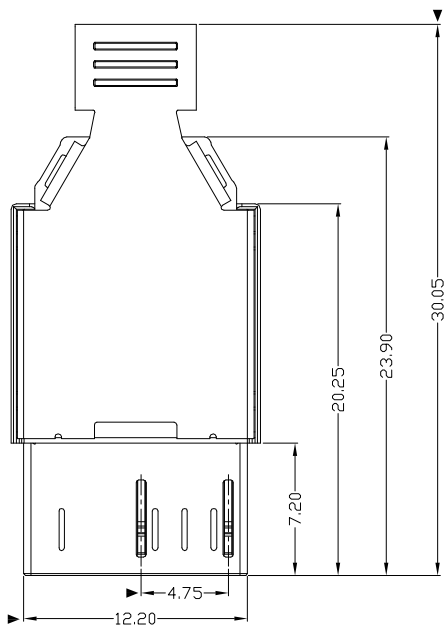
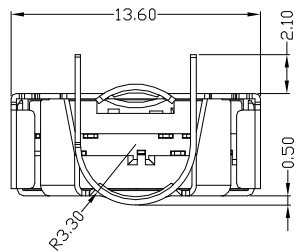




RoHS
Compliant
2002/95/EC

REV	LTR	DESCRIPTION	DATE	REVISER	APPD



NOTES:

- ELECTRICAL:
 - VOLTAGE CURRENT RATING: 1AMP, 30V AC;
 - INSULATION RESISTANCE: 100MΩ MIN;
 - CONTACT RESISTANCE: 30mΩ MAX;
 - WITHSTANDING VOLTAGE: 500V AC;
 - OPERATING TEMPERATURE: -40°C TO +85°C.
- Mechanical:
 - Mating Force: 35N MAX
 - Unmating Force: 10N MIN.
- NOTE: DIMENSIONS MARKED "▼" TO BE CHECKED BY Q.C & IPQC.
- PART NO.

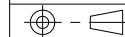
MUYM-105N-4BSS13

1-Au 1U'
5-Au 15U'
6-Au 30U'
W/WHITE
B/BLACK
1-PBT
2-PA6T
3-PA9T
4-LCP

Bill of materials:

NO	PARTS	MATERIAL	QTY	FINISHING			
5	HOOK	STAINLESS STEEL	1	PLATED NICKEL	X. ±0.35	X.' ±2'	UNITS mm
4	SHELL	SPCC	1	PLATED NICKEL	.X ±0.3	.X' ±1'	MAT'L
3	HOUSING SHELL	COPPER ALLOY	1	PLATED NICKEL	.XX ±0.25	.XX'	SEE NOTE
2	HOUSING	LCP/PBT	1	UL94V-0	.XXX ±0.15	.XXX'	FINISH
1	TERMINAL	COPPER ALLOY	10	PLATED GOLD/TIN			SEE NOTE
							Q'TY

THESE DRAWINGS AND SPECIFICATIONS ARE THE PROPERTY OF ACCURATE INNOTECH INC AND SHALL NOT BE REPRODUCED, COPIED OR USED IN ANY MANNER WITHOUT THE PRIOR WRITTEN CONSENT OF ACCURATE INNOTECH INC



雅安科技有限公司
ACCURATE INNOTECH INC.

TITLE: Micro USB 3.0 B TYPE MALE (半封槽)	PART NO.: MUYM-105N-4BSS13
DR: gan 2012/8/3	DWG NO.: AII-SS13
CHKD: gan 2012/8/3	SCALE SHEET REV. CUSTOMER 1:1 1/1 B DRAWING



RoHS
Compliant
2002/95/EC

REV	LTR	DESCRIPTION	DATE	REVISER	APPD

A

B

C

D

E

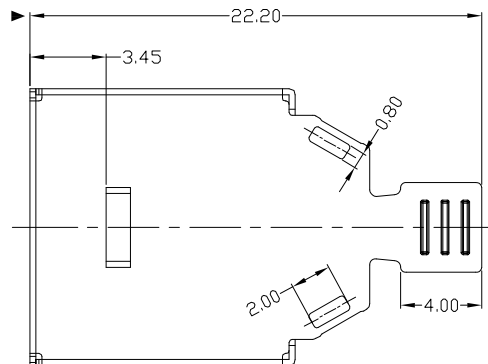
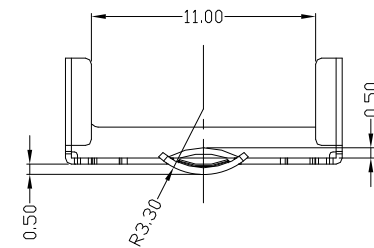
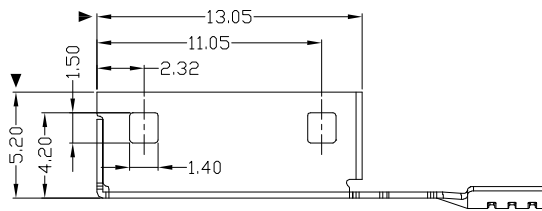
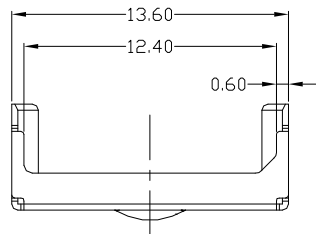
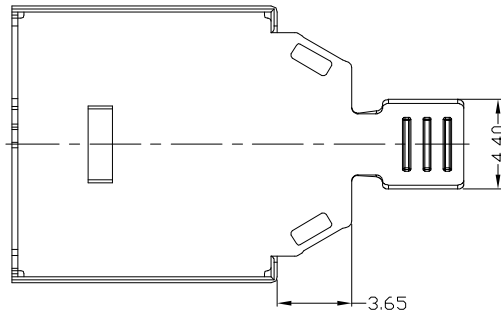
A

B

C

D

E



- NOTES:
 1. Material:
 Shell:SPCC Plating Ni
 2. NOTE: DIMENSIONS MARKED "▼" TO BE CHECKED BY Q.C & IPQC.

X. ±0.35	X.' ±2'	UNITS	mm	雅安科技有限公司 ACCURATE INNOTECH INC.				
.X ±0.3	.X' ±1'	MAT'L	SEE NOTE					TITLE:
.XX ±0.25	.XX'	FINISH	SEE NOTE	DR:	MUYM-105N-4BSS13			
.XXX ±0.15	.XXX'	Q'TY	SEE NOTE	CHKD:	DWG NO.:			
THESE DRAWINGS AND SPECIFICATIONS ARE THE PROPERTY OF ACCURATE INNOTECH INC. AND SHALL NOT BE REPRODUCED, COPIED OR USED IN ANY MANNER WITHOUT THE PRIOR WRITTEN CONSENT OF ACCURATE INNOTECH INC.				APPD:	SCALE	SHEET	REV.	CUSTOMER DRAWING
				1:1	1/1	B		

1

2

3

4

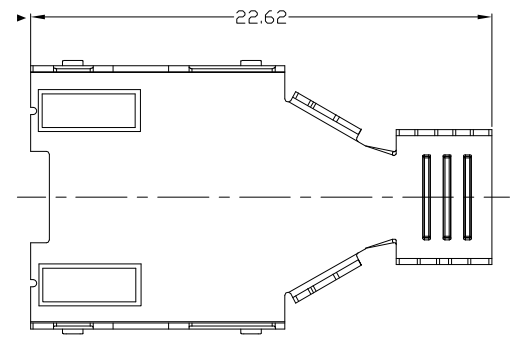
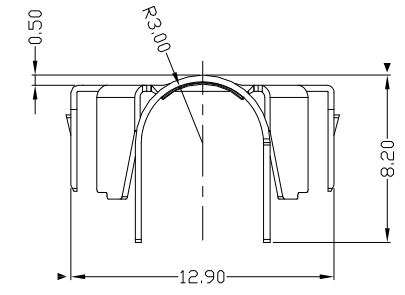
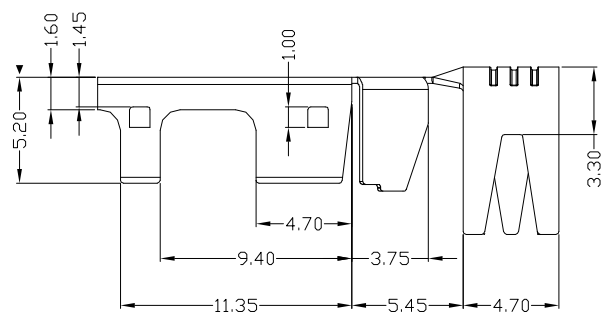
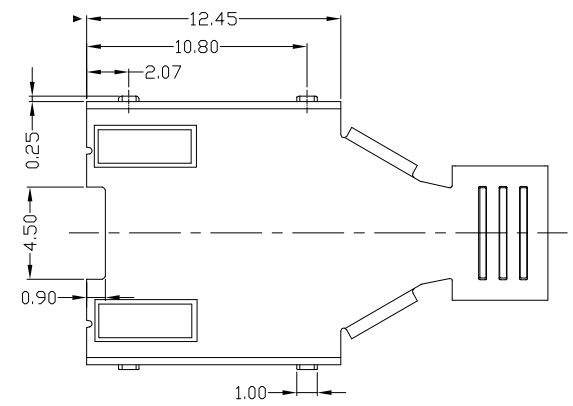
5

6

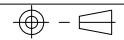
7

REV	LTR	DESCRIPTION	DATE	REVISER	APPD

第二种上盖 加两凸包



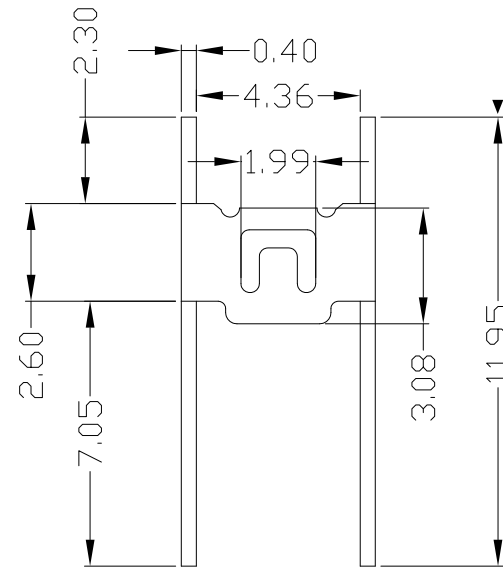
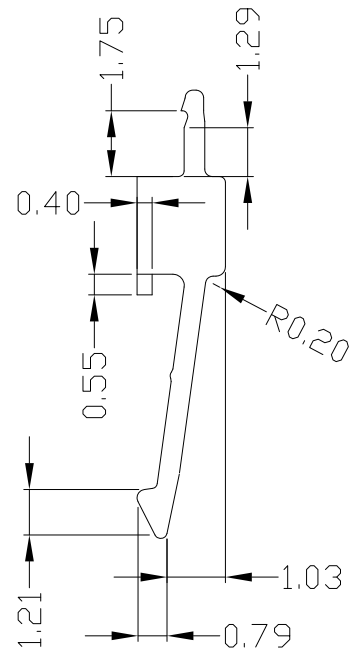
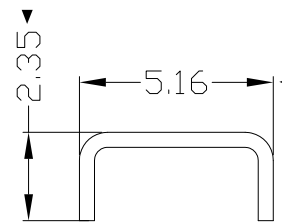
NOTES:
 1. Material:
 Shell: SPCC Plating Ni
 2. NOTE: DIMENSIONS MARKED "▼" TO BE CHECKED BY Q.C & IPQC.

X. ±0.35	X.* ±2*	UNITS	mm	雅安科技有限公司 ACCURATE INNOTECH INC.				
.X ±0.3	.X.* ±1*	MAT'L	SEE NOTE					TITLE:
.XX ±0.25	.XX*	FINISH	SEE NOTE	DR:	MUYM-105N-4BSS13			
.XXX ±0.15	.XXX*	Q'TY	SEE NOTE	CHKD:	DWG NO.:			
<small>THESE DRAWINGS AND SPECIFICATIONS ARE THE PROPERTY OF ACCURATE INNOTECH INC. AND SHALL NOT BE REPRODUCED, COPIED OR USED IN ANY MANNER WITHOUT THE PRIOR WRITTEN CONSENT OF ACCURATE INNOTECH INC.</small>				APPD:	SCALE	SHEET	REV.	CUSTOMER DRAWING
					1:1	1/1	B	



RoHS
Compliant
2002/95/EC

REV	LTR	DESCRIPTION	DATE	REVISER	APPD



NOTES:

1.MATERIAL:

HOOK:STAINLESS STEEL Plating Ni

2.NOTE:DIMENSIONS MARKED "▼"
TO BE CHECKED BY Q.C & IPQC.

X. ±0.35	X.' ±2'	UNITS	雅安科技有限公司 ACCURATE INNOTECH INC.					
.X ±0.3	.X' ±1'	MAT'L	TITLE: Micro USB 3.0 B TYPE MALE (半封槽)HOOK		PART NO.: MUYM-105N-4BSS13			
.XX ±0.25	.XX'	SEE NOTE						
.XXX ±0.15	.XXX'	FINISH	DR: gan 2012/8/3		DWG NO.: AII-SS13			
THESE DRAWINGS AND SPECIFICATIONS ARE THE PROPERTY OF ACCURATE INNOTECH INC. AND SHALL NOT BE REPRODUCED, COPIED OR USED IN ANY MANNER WITHOUT THE PRIOR WRITTEN CONSENT OF ACCURATE INNOTECH INC.							CHKD: gan 2012/8/3	
Q'TY			APPD:		SCALE	SHEET	REV.	CUSTOMER DRAWING
					1:1	1/1	B	