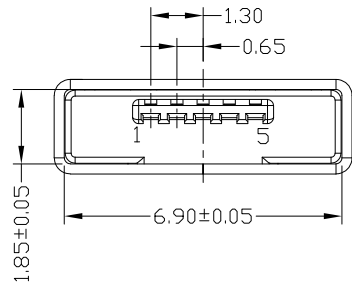
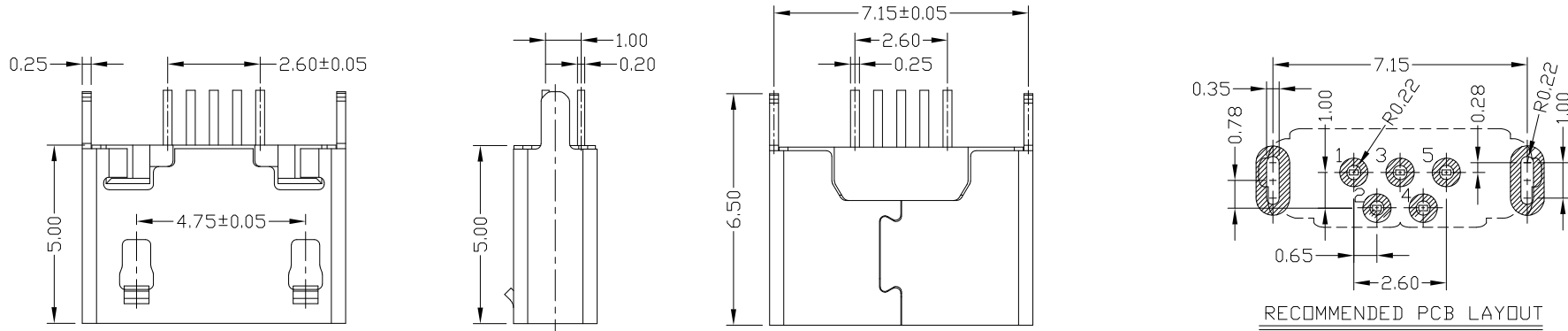




RoHS
Compliant
2002/95/EC

REV.	ECN. NO.	APPD.



NOTES:

1.ELECTRICAL:

- 1)VOLTAGE CURRENT RATING:1.0AMP MAX. ,30V AC;
- 2)INSULATION RESISTANCE: 100MΩ MIN.
- 3)CONTACT RESISTANCE: 30mΩ MAX; INITIAL;40mΩ MAX.
- 4)WITHSTANDING VOLTAGE: 100V AC MIN.
- 5)OPERATING TEMPERATURE:-30°C TO +80°C.

2.MECHANICAL:

- 1)MATING FORCE: 35N MAX
- 2)UNMATING FORCE: 10N MIN. INITIAL 8~20N AFTER

3.DIMENSIONS MARKED "▼" TO BE CHECKED BY Q.C & IPQC.

4.PART NO.

MUZF-05*T-4BPG3020

1:Au 1U"
6:Au 30U"
T:TIN
N:NICKEL
W:WHITE
B:BLACK
1:PBT
2:PA6T
3:PA9T
4:LCP

Bill of materials:

NO	PARTS	MATERIAL	QTY	FINISHING	UNITS	mm	TITLE:	PART NO.:	DR:	CHKD:	APPD:	SCALE	SHEET	REV.	CUSTOMER DRAWING							
3	SHELL	STAINLESS STEEL	1	PLATED TIN	X.	±0.50	X.*	±1*	SEE NOTE	SEE NOTE	SEE NOTE	1:1	1/1	A								
2	HOUSING	LCP+30%GF	1	UL94V-0	.X	±0.20	.X*		SEE NOTE	SEE NOTE	SEE NOTE	1:1	1/1	A								
1	TERMINAL	COPPER ALLOY	5	PLATED NICKEL/GOLD	.XX	±0.10	.XX*		SEE NOTE	SEE NOTE	SEE NOTE	1:1	1/1	A								
					.XXX	±0.03	.XXX*		SEE NOTE	SEE NOTE	SEE NOTE	1:1	1/1	A								
					THESE DRAWINGS AND SPECIFICATIONS ARE THE PROPERTY OF ACCURATE INNOTECH AND SHALL NOT BE REPRODUCED, COPIED OR USED IN ANY MANNER WITHOUT THE PRIOR WRITTEN CONSENT OF ACCURATE INNOTECH INC		雅安科技有限公司 ACCURATE INNOTECH INC.		MICRO USB AB TYPE F 5P 180度 无卷边 插板脚长1.5		PART NO.:		MUZF-05XT-4BPG3020		DWG NO.:		AII-PG3020					
							Q'TY		Ricky 2022/12/20		Ricky 2022/12/20		APPD:		SCALE		SHEET		REV.		CUSTOMER DRAWING	