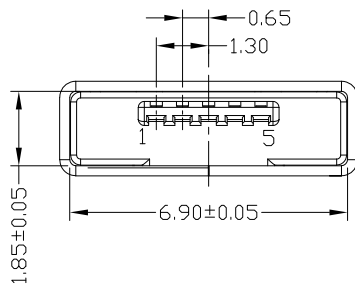
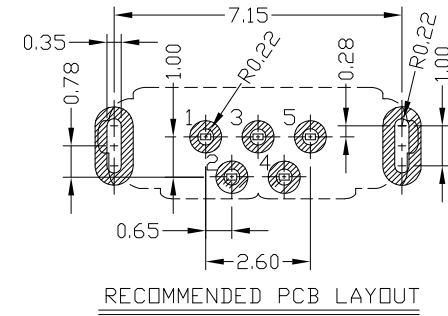
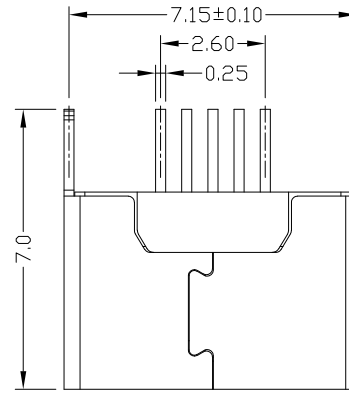
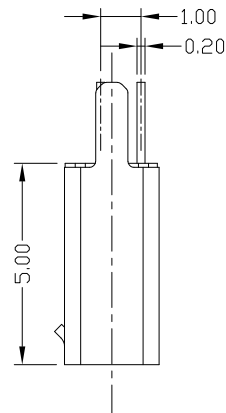
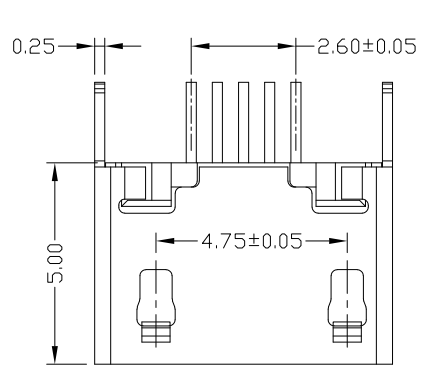




RoHS
Compliant
2002/95/EC

REV.	ECN. NO.	APPD.



NOTES:

1.ELECTRICAL:

- 1)VOLTAGE CURRENT RATING:1.0AMP MAX. ,30V AC;
- 2)INSULATION RESISTANCE: 100MΩ MIN.
- 3)CONTACT RESISTANCE: 30mΩ MAX; INITIAL;40mΩ MAX.
- 4)WITHSTANDING VOLTAGE: 100V AC MIN.
- 5)OPERATING TEMPERATURE:-30°C TO +80°C.

2.MECHANICAL:

- 1)MATING FORCE: 35N MAX
- 2)UNMATING FORCE: 10N MIN. INITIAL 8~20N AFTER

3.DIMENSIONS MARKED "▼" TO BE CHECKED BY Q.C & IPQC.

4.PART NO.

MUZF-05***T**-4BPG3023

1:Au 1U"
6:Au 30U"

T:TIN
N:NICKEL

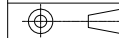
W:WHITE
B:BLACK

1:PBT
2:PA6T
3:PA9T
4:LCP

Bill of materials:

NO	PARTS	MATERIAL	QTY	FINISHING	UNITS	mm	TITLE:	PART NO.:
3	SHELL	STAINLESS STEEL	1	PLATED TIN	X.	±0.50	MICRO USB AB TYPE F 5P	MUZF-05XT-4BPG3023
2	HOUSING	LCP+30%GF	1	UL94V-0	.X	±0.20	180度 无卷边 插板脚长2.0	
1	TERMINAL	COPPER ALLOY	5	PLATED NICKEL/GOLD	.XX	±0.10	DR: Ricky 2022/12/21	DWG NO.:
					.XXX	±0.03	CHKD: Ricky 2022/12/21	AII-PG3023
							APPD:	SCALE SHEET REV. CUSTOMER DRAWING
								1:1 1/1 A

THESE DRAWINGS AND SPECIFICATIONS ARE THE PROPERTY OF ACCURATE INNOTECH AND SHALL NOT BE REPRODUCED, COPIED OR USED IN ANY MANNER WITHOUT THE PRIOR WRITTEN CONSENT OF ACCURATE INNOTECH INC



雅安科技有限公司
ACCURATE INNOTECH INC.