

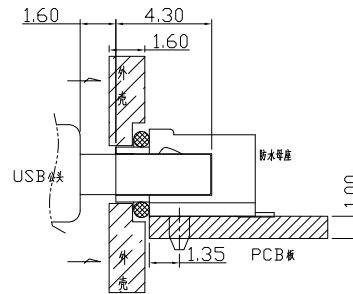
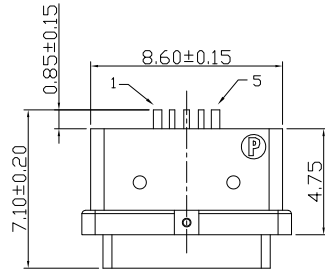


RoHS
Compliant
2002/95/EC

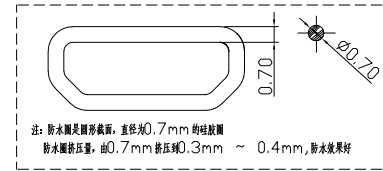


Halogen Free

REV.	ECN. NO.	APPD.

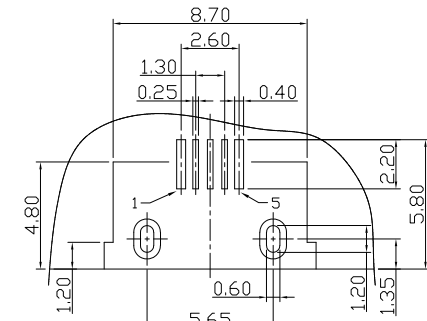
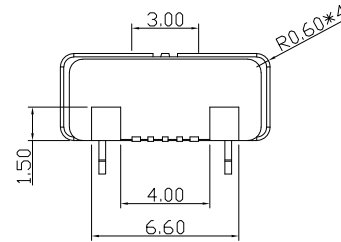
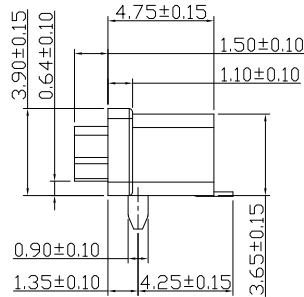
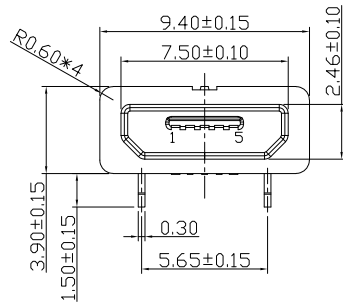


组装示意图

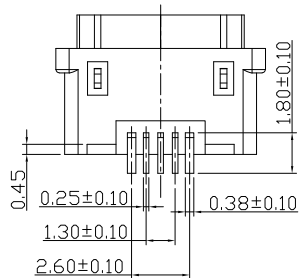


注: 防水圈是圆筒形, 直径为0.7mm的柱状圈
防水圈唇厚度: 由0.7mm挤压成0.3mm ~ 0.4mm, 防水效果好

注: 设计时, 请注意公头插入时的距离, 防止公头插不到位。



P.C.B LAYOUT



NOTES:

- 1.ELECTRICAL:
 1)CURRENT RATING: 3A(PIN1&5),0.5A(PIN2&3&4);
 2)INSULATION RESISTANCE: 1000MΩ MIN.;
 3)CONTACT RESISTANCE: 30mΩ MAX.(INITIAL);
 4)WITHSTANDING VOLTAGE: 500V AC MIN.;
 5)OPERATING TEMPERATURE:-30°C TO +80°C
- 2.Mechanical:
 1)Mating Force: 35N Max.;
 2)Unmating Force: 8N Min;
 3)Durability: 5,000 CYCLES MIN.;
- 3.DIMENSIONS MARKED '▼' TO BE CHECKED BY Q.C & IPQC.

4.PART NO.
MWYF-051N-7BHB11

- 1: Au 1U*
 2: Au 3U*
 5: Au 15U*
 6: Au 30U*
- W: WHITE
 B: BLACK
- 1: PBT
 2: PA6T
 3: PA9T
 4: LCP
 7: PA10T

Contact Number	Signal Name	Remarks
1	VBUS	Power
2	D-	Date-
3	D+	Date+
4	ID	Reserve or Gound
5	GND	Gound

Bill of materials:

NO	PARTS	MATERIAL	QTY	FINISHING
7				
6				
5				
4	WATERPROOF RING	SILICONE RUBBER	1	WHITE
3	SHELL	STAINLESS STEEL	1	PLATED NICKEL
2	CONTACT	COPPER ALLOY	5	PLATED GOLD/NICKEL
1	HOUSING	PA10T+30%GF	1	UL94V-0

THESE DRAWINGS AND SPECIFICATIONS ARE THE PROPERTY OF ACCURATE INNOTECH AND SHALL NOT BE REPRODUCED, COPIED OR USED IN ANY MANNER WITHOUT THE PRIOR WRITTEN CONSENT OF ACCURATE INNOTECH INC.

UNITS	mm	雅安科技有限公司 ACCURATE INNOTECH INC.			
MAT'L	SEE NOTE				
FINISH	SEE NOTE	TITLE:	PART NO.:		
Q'TY	SEE NOTE	MICRO USB B TYPE F 5P SMT 平口 插板5.65脚长1.5 防水型		MWYF-05XN-7BHB11	
		DR:	Ricky 2022/05/11		DWG NO.:
		CHKD:	Ricky 2022/05/11		AII-HB11
		APPD:		SCALE	SHEET
				1:1	1/1
				REV.	CUSTOMER DRAWING
				B	