
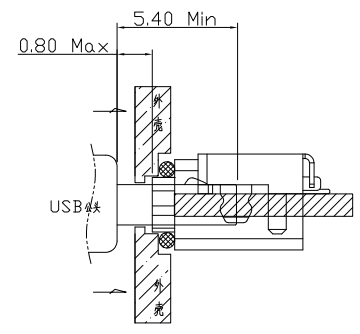
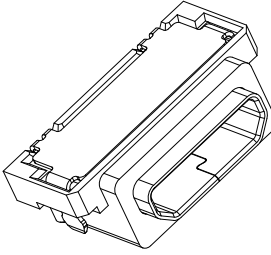
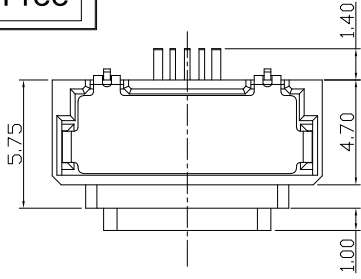
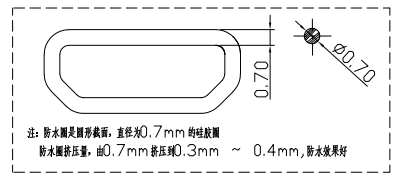

RoHS Compliant
 2002/95/EC

IP-X8
 60Min/>1m
Halogen Free

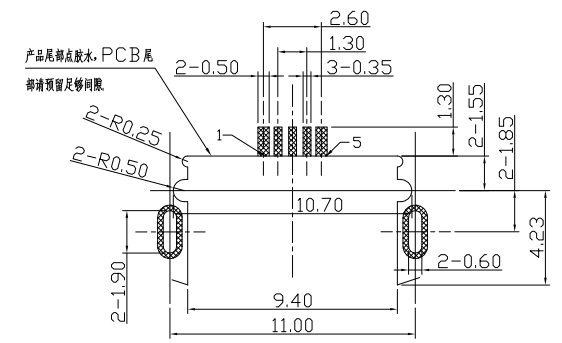
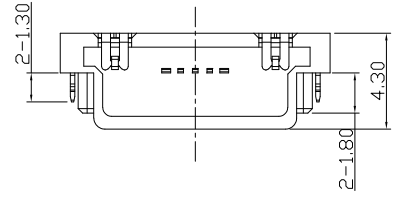
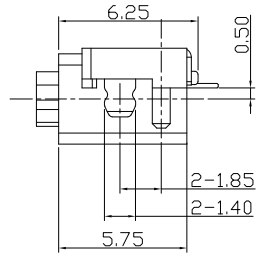
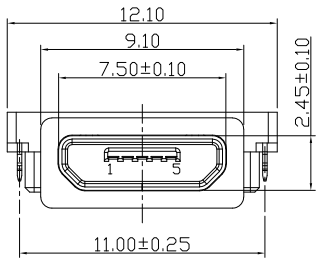


组装示意图

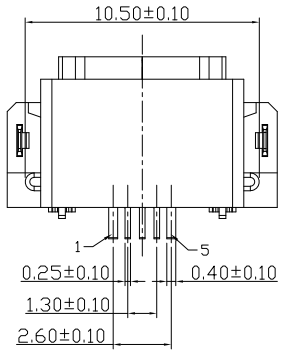


注: 防水圈是圆筒形截面, 直径为0.7mm的硅胶圈
防水圈唇厚度, 由0.7mm按压缩0.3mm ~ 0.4mm, 防水效果好

注: 设计时, 请注意公头插入时的距离, 防止公头插不到位。



Recommended P.C.B. Layout
Unspecified tolerance: ±0.05
(Top view)



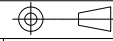
NOTES:
 1.ELECTRICAL:
 1)CURRENT RATING: 3A(PIN1&5),0.5A(PIN2&3&4);
 2)INSULATION RESISTANCE: 1000MΩ MIN.;
 3)CONTACT RESISTANCE: 30mΩ MAX.(INITIAL);
 4)WITHSTANDING VOLTAGE: 500V AC MIN.;
 5)OPERATING TEMPERATURE:-30°C TO +80°C
 4.PART NO. MWYF-051N-7BHB12
 1:Au 1U*
 2:Au 3U*
 5:Au 15U*
 6:Au 30U*
 W:WHITE
 B:BLACK
 1:PBT
 2:PA6T
 3:PA9T
 4:LCP
 7:PA10T
 2.Mechanical:
 1)Mating Force: 35N Max.;
 2)Unmating Force: 8N Min;
 3)Durability: 5,000 CYCLES MIN.;
 3.DIMENSIONS MARKED '▼' TO BE CHECKED BY Q.C & IPQC.

Contact Number	Signal Name	Remarks
1	VBUS	Power
2	D-	Date-
3	D+	Date+
4	ID	Reserve or Gound
5	GND	Gound

Bill of materials:

NO	PARTS	MATERIAL	QTY	FINISHING
7				
6	WATERPROOF RING	SILICONE RUBBER	1	WHITE
5	EPOXY			BLACK
4	OUTSIDE SHELL	COPPER ALLOY	1	PLATED NICKEL
3	INSIDE SHELL	STAINLESS STEEL	1	PLATED NICKEL
2	CONTACT	COPPER ALLOY	5	PLATED GOLD/TIN
1	HOUSING	PA10T+30%GF	1	UL94V-0
NO	PARTS	MATERIAL	QTY	FINISHING

THESE DRAWINGS AND SPECIFICATIONS ARE THE PROPERTY OF ACCURATE INNOTECH AND SHALL NOT BE REPRODUCED, COPIED OR USED IN ANY MANNER WITHOUT THE PRIOR WRITTEN CONSENT OF ACCURATE INNOTECH INC.

UNITS mm
 MAT'L SEE NOTE
 FINISH SEE NOTE
 Q'TY


雅安科技有限公司
ACCURATE INNOTECH INC.

TITLE: MICRO USB B TYPE F 5P SMT 平口 沉板 防水型
 PART NO.: MWYF-05XN-7BHB12
 DR: Ricky 2022/05/12
 DWG NO.: AII-HB12
 CHKD: Ricky 2022/05/12
 APPD:

SCALE	SHEET	REV.	CUSTOMER DRAWING
1:1	1/1	B	