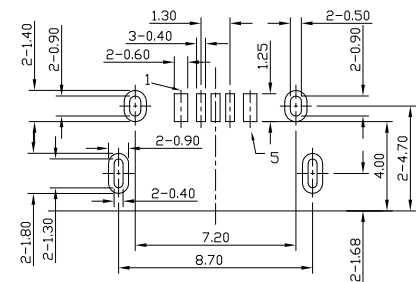
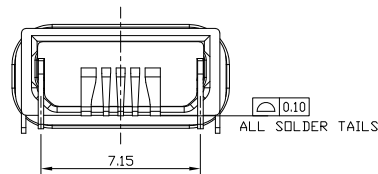
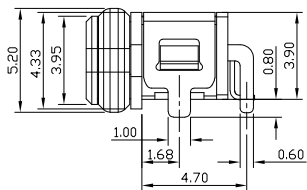
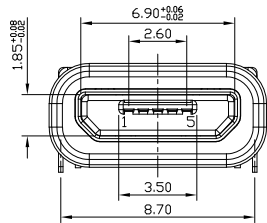
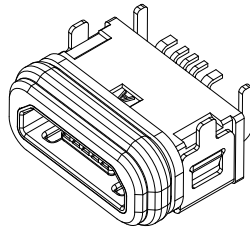
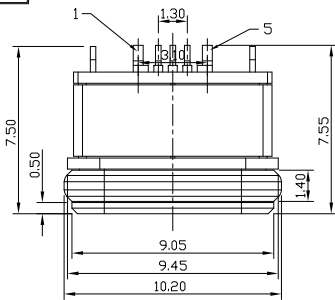




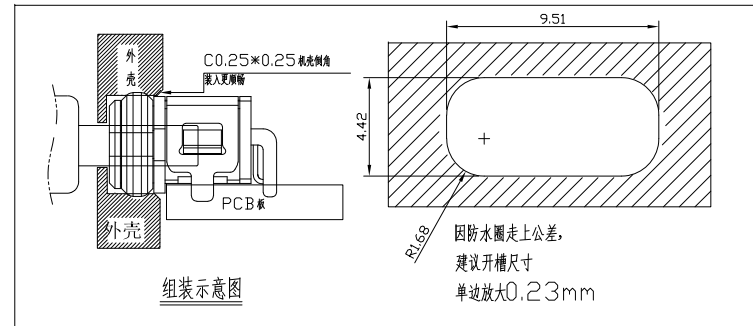
RoHS Compliant
2002/95/EC



Halogen Free



RECOMMENDED P.C.B. LAYOUT (TOP VIEW)
GENERAL TOLERANCE: ±0.05



组装示意图

REV.	ECN. NO.	APPD.

NOTES:

- 1.ELECTRICAL:
 1)CURRENT RATING: 3A;
 2)INSULATION RESISTANCE: 100MΩ MIN.;
 3)CONTACT RESISTANCE: 30mΩ MAX.(INITIAL);
 4)WITHSTANDING VOLTAGE: 100V AC MIN.;
 5)OPERATING TEMPERATURE:-30°C TO +80°C
- 2.Mechanical:
 1)Mating Force: 5N~20N;
 2)Unmating Force: 6N~20N;
 3)Durability: 5,000 CYCLES MIN.;
- 3.DIMENSIONS MARKED ▼ TO BE CHECKED BY Q.C & IPQC.

4.PART NO.
MWYF-051N-7BHB13

- 1:Au 1U*
 2:Au 3U*
 5:Au 15U*
 6:Au 30U*
 W:WHITE
 B:BLACK
 1:PBT
 2:PA6T
 3:PA9T
 4:LCP
 7:PA10T

Contact Number	Signal Name	Remarks
1	VBUS	Power
2	D-	Date-
3	D+	Date+
4	ID	Reserve or Gound
5	GND	Gound

Bill of materials:

NO	PARTS	MATERIAL	QTY	FINISHING
7				
6	WATERPROOF RING	SILICONE RUBBER	1	WHITE
5	EPOXY			BLACK
4	OUTSIDE SHELL	COPPER ALLOY	1	PLATED NICKEL
3	INSIDE SHELL	STAINLESS STEEL	1	PLATED NICKEL
2	CONTACT	COPPER ALLOY	5	PLATED GOLD/NICKEL
1	HOUSING	PA10T+30%GF	1	UL94V-0
NO	PARTS	MATERIAL	QTY	FINISHING

THESE DRAWINGS AND SPECIFICATIONS ARE THE PROPERTY OF ACCURATE INNOTECH AND SHALL NOT BE REPRODUCED, COPIED OR USED IN ANY MANNER WITHOUT THE PRIOR WRITTEN CONSENT OF ACCURATE INNOTECH INC.

UNITS	mm	雅安科技有限公司 ACCURATE INNOTECH INC.			
MAT'L	SEE NOTE				
FINISH	SEE NOTE	TITLE:	PART NO.:		
Q'TY	SEE NOTE	DR:	MWYF-051N-7BHB13		
		CHKD:	AII-HB13		
		APPD:	SCALE	SHEET	REV.
			1:1	1/1	B
			CUSTOMER DRAWING		