

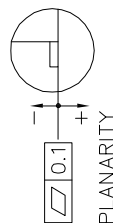
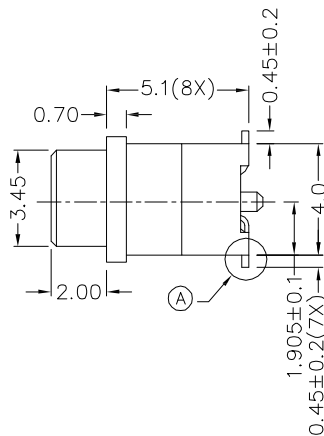
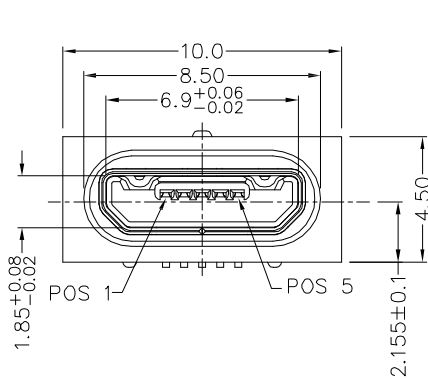


RoHS Compliant
2002/95/EC

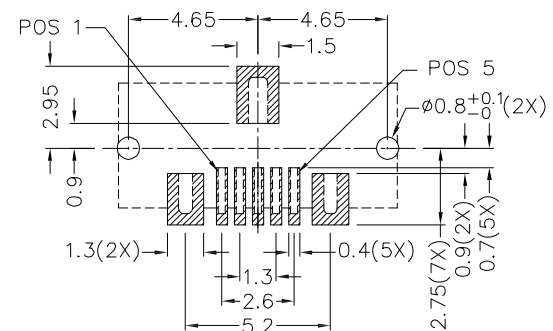
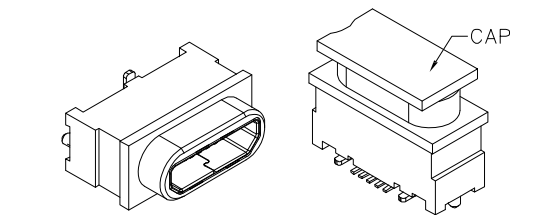
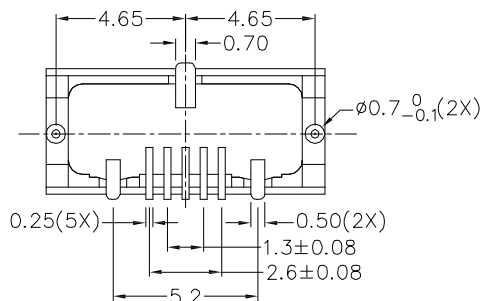


Halogen Free

REV.	ECN.	NO.	APPD.



A DETAIL
COPPLANARITY



RECOMMENDED PCB LAYOUT
TOLERANCE: ±0.05
(TOP VIEW)

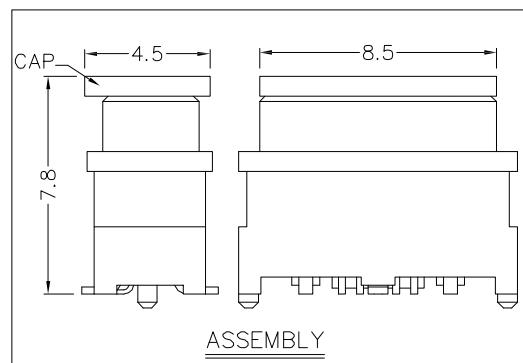
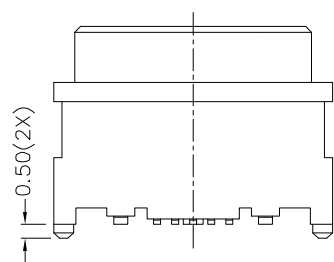
NOTES:

- ELECTRICAL:
 - CURRENT RATING: PIN 1,5: 1.8A/30V AC MAX.; PIN 2,3,4: 0.5A/30V AC MAX.
 - INSULATION RESISTANCE: 100MΩ MIN; AFTER DURABILITY TEST 40mΩ MAX.
 - CONTACT RESISTANCE: 30mΩ MAX.
 - WITHSTANDING VOLTAGE: 250V AC;
 - OPERATING TEMPERATURE: -40°C TO +85°C.
- MECHANICAL:
 - MATING FORCE: 35N MAX.
 - UNMATING FORCE: 8N MIN.
 - DURABILITY: 10,000 CYCLES
- DIMENSIONS MARKED '▼' TO BE CHECKED BY Q.C & IPQC.

4.PART NO.
MWYF-051N-7BQT30

1:Au 1U*
2:Au 3U*
5:Au 15U*
6:Au 30U*

W:WHITE
B:BLACK
1:PBT
2:PA6T
3:PA9T
4:LCP
7:PA10T



Bill of materials:

NO	PARTS	MATERIAL	QTY	FINISHING
7				.X ±0.20 X.*
6				.XX ±0.10 .X.*
5	CAP	PA10T+30%GF	1	UL94V-0
4	HOUSING	PA10T+30%GF	1	UL94V-0
3	INSULATOR	PA10T+30%GF	1	UL94V-0
2	SHELL	STAINLESS STEEL	1	PLATED NICKEL
1	TERMINAL	COPPER ALLOY	5	PLATED NICKEL/GOLD

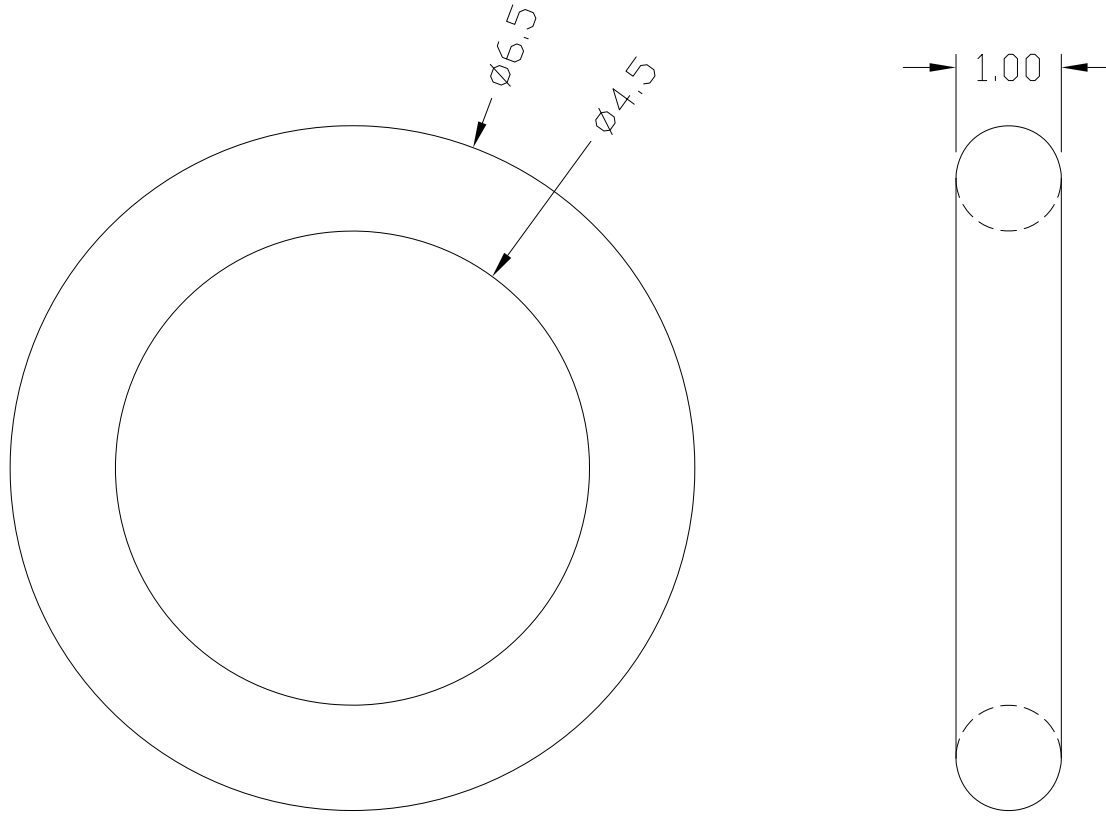
THESE DRAWINGS AND SPECIFICATIONS ARE THE PROPERTY OF ACCURATE INNOTECH AND SHALL NOT BE REPRODUCED, COPIED OR USED IN ANY MANNER WITHOUT THE PRIOR WRITTEN CONSENT OF ACCURATE INNOTECH INC.

UNITS	mm	雅安科技有限公司 ACCURATE INNOTECH INC.			
MAT'L	SEE NOTE	TITLE:	WATERPROOF/DUSTPROOF MICRO USB B TYPE 5P FEMALE CONNECTOR		
FINISH	SEE NOTE	PART NO.:	MWYF-05XN-7BQT30		
Q'TY	DR:	DR:	Ricky 2023/03/16		
	CHKD:	CHKD:	Ricky 2023/03/16		
	APPD:	APPD:	SCALE	SHEET	REV.
			4:1	1/1	B
			CUSTOMER DRAWING		



RoHS
Compliant
2002/95/EC

REV.	ECN.	NO.	APPD.



NOTES
MATERIAL
M1.MATERIAL : Silicone , 94V0
M2.HARDNESS : 70°

Bill of materials:

4					.X ±0.20	X.*	UNITS mm	雅安科技有限公司 ACCURATE INNOTECH INC.				
3					.XX ±0.10	.X*	MAT'L					
2					.XXX ±0.05	.XX*	SEE NOTE	TITLE: □-RING	PART NO.: □-RING-1			
1					THESE DRAWINGS AND SPECIFICATIONS ARE THE PROPERTY OF ACCURATE INNOTECH AND SHALL NOT BE REPRODUCED, COPIED OR USED IN ANY MANNER WITHOUT THE PRIOR WRITTEN CONSENT OF ACCURATE INNOTECH INC.		FINISH SEE NOTE	DR: <i>Ricky</i> 2023/03/15	DWG NO.: AII-RING-1			
NO	PARTS	MATERIAL	QTY	FINISHING			Q'TY	APPD:	SCALE	SHEET	REV.	CUSTOMER DRAWING
	1								10:1	1/1	B	