



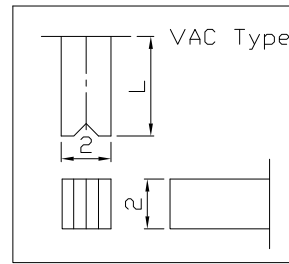
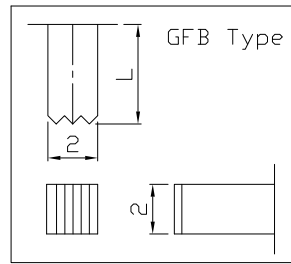
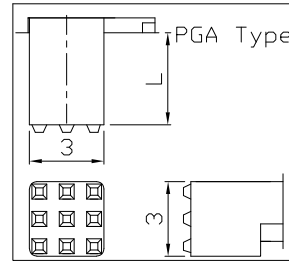
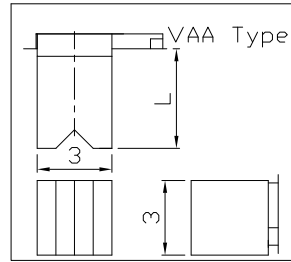
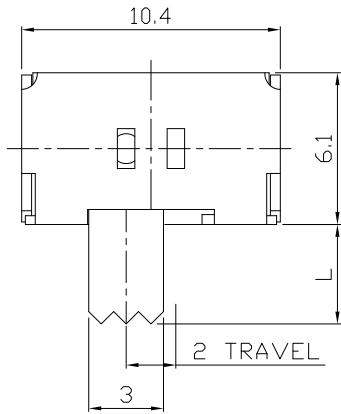
RoHS Compliant
2002/95/EC

MODEL CODE

SK-12D19-GEI

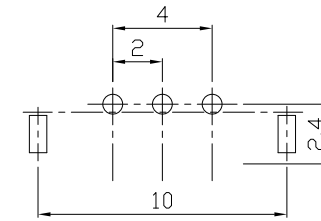
REV.	ECN. NO.	APPD.

DIMENSIONS

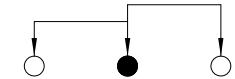


Knob Type
GEI
VAA
PGA
GFB
VAC

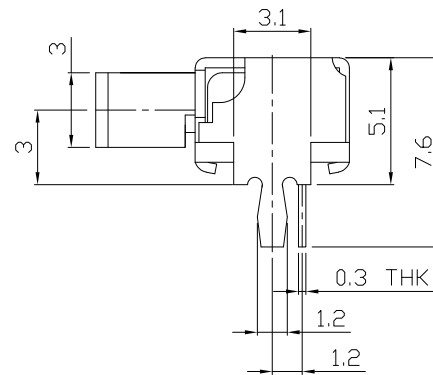
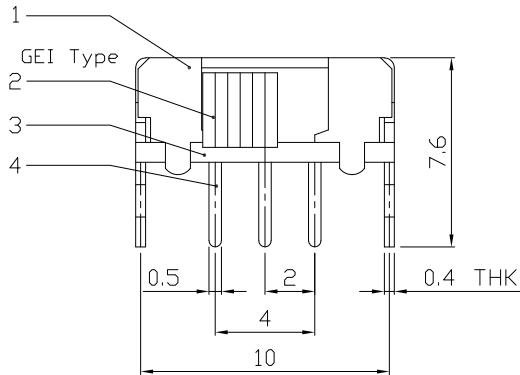
L(mm)
~



P.C.B LAYOUT
BOTTOM VIEW



CIRCUIT DIAGRAM



ELECTRO-MECHANICAL CHARACTERISTICS
Refer to additional specifications

RATING	0.3A 50V DC
CIRCUIT	1P2T
CONTACT RESISTANCE	30mΩ MAX.
TIMING	NON-SHORTING
TRAVEL	2mm
OPERATING FORCE	200±100gf
OPERATING LIFE(cycles)	10,000

NO.	PARTS	MATERIAL	Q'TY	FINISHING
8				
7				
6	CONTACT CLIP	PBS C5210R-EH	1	Ag CLAD
5	SPRING PLATE	SUS	1	NATURAL
4	TERMINAL	BRASS STRIP	3	Ag PLATED OVER Ni PLATED
3	BASE	PHENOLIC RESIN	1	NATURAL
2	KNOB	POM	1	BLACK
1	FRAME	STEEL STRIP	1	Ni PLATED

WITHIN 1.5mm: ±0.1mm
OVER 1.5mm: ±0.2mm

UNITS mm

MAT'L SEE NOTE

FINISH SEE NOTE

Q'TY

THESE DRAWINGS AND SPECIFICATIONS ARE THE PROPERTY OF ACCURATE INNOTECH INC AND SHALL NOT BE REPRODUCED, COPIED OR USED IN ANY MANNER WITHOUT THE PRIOR WRITTEN CONSENT OF ACCURATE INNOTECH INC.

雅安科技有限公司 ACCURATE INNOTECH INC.		PART NO.:	
		SK-12D19	
TITLE: SLIDE SWITCH / HORIZONTAL		DWG NO.:	
DR: Ricky 2015/12/04		ADJ-12D19	
CHKD: Ricky 2015/12/04		SCALE	SHEET
APPD:		4:1	1/1
		REV.:	CUSTOMER DRAWING
		A	