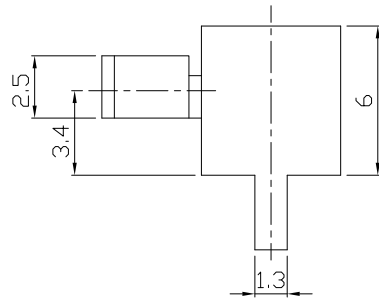
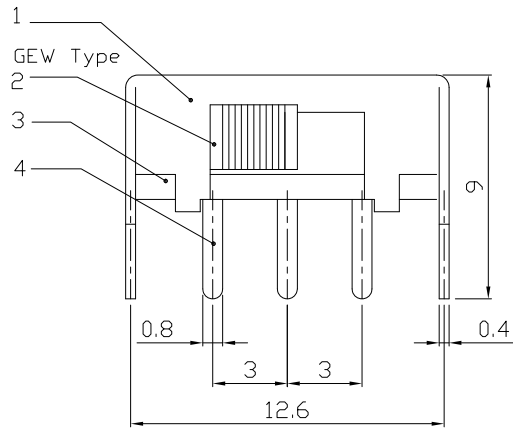
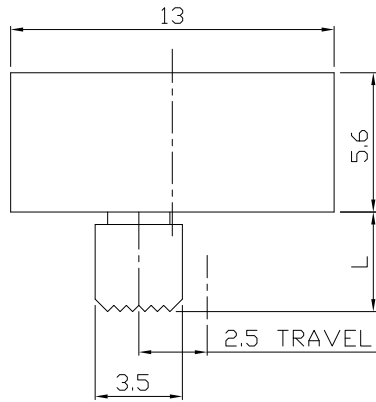




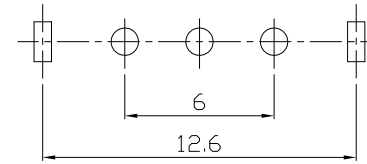
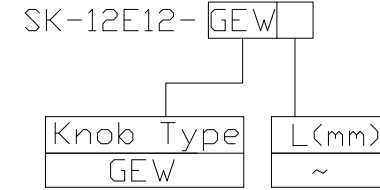
RoHS
Compliant
2002/95/EC

REV.	ECN.	NO.	APPD.

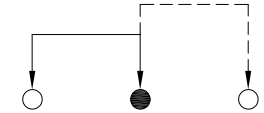
DIMENSIONS



MODEL CODE



P.C.B LAYOUT
BOTTOM VIEW



CIRCUIT DIAGRAM

ELECTRO-MECHANICAL CHARACTERISTICS

Refer to additional specifications

RATING	0.3A 50V DC
CIRCUIT	1P2T
CONTACT RESISTANCE	30mΩ MAX.
TIMING	NON-SHORTING
TRAVEL	2.5mm
OPERATING FORCE	200±100gf
OPERATING LIFE(cycles)	10,000

8					WITHIN 1.5mm: ±0.1mm	UNITS	mm	雅安科技有限公司 ACCURATE INNOTECH INC.				
7					OVER 1.5mm: ±0.2mm	MAT'L						
6	SPRING	SUS WIRE	1	NATURAL		SEE NOTE		TITLE:	PART NO.:			
5	CONTACT	BRASS STRIP	1	Ag PLATED				SLIDE SWITCH / HORIZONTAL	SK-12E12			
4	TERMINAL	BRASS STRIP	1	Ag PLATED				DR:	Ricky 2016/08/10		DWG NO.:	
3	TERMINAL BASE	PHENOLIC RESIN	1	NATURAL				CHKD:	Ricky 2016/08/10		AZJ-12E12	
2	KNOB	PBT	1	BLACK				APPD:				
1	COVER	MILD STEEL	1	Ni PLATED					SCALE	SHEET	REV.	CUSTOMER
NO.	PARTS	MATERIAL	Q'TY	FINISHING					3:1	1/1	A	DRAWING

THESE DRAWINGS AND SPECIFICATIONS ARE THE PROPERTY OF ACCURATE INNOTECH INC AND SHALL NOT BE REPRODUCED, COPIED OR USED IN ANY MANNER WITHOUT THE PRIOR WRITTEN CONSENT OF ACCURATE INNOTECH INC.

