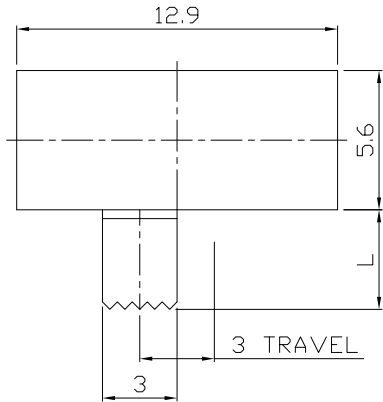




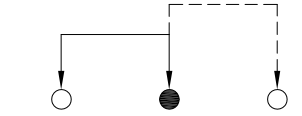
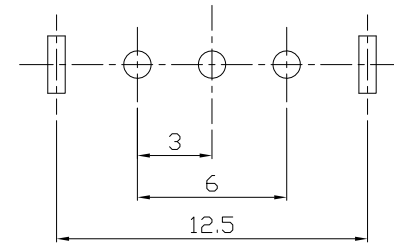
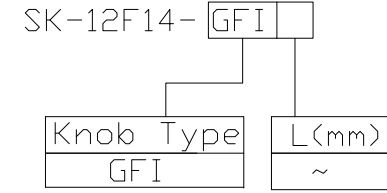
RoHS Compliant
2002/95/EC

REV.	ECN.	NO.	APPD.

DIMENSIONS



MODEL CODE

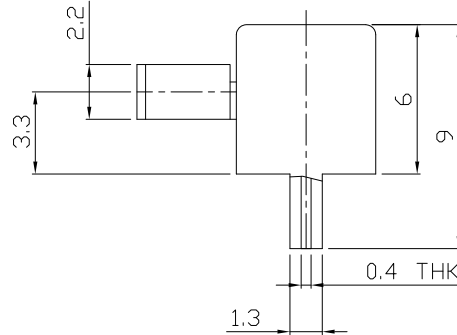
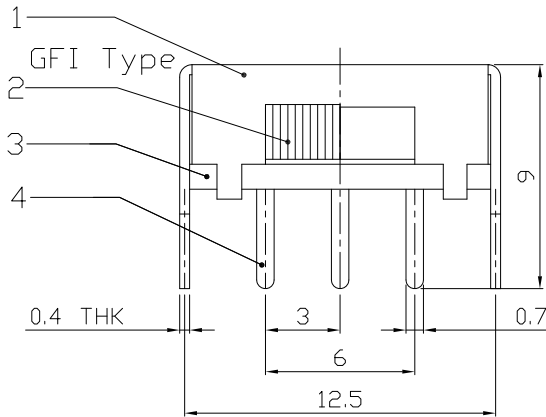


P.C.B LAYOUT
BOTTOM VIEW

CIRCUIT DIAGRAM

ELECTRO-MECHANICAL CHARACTERISTICS
Refer to additional specifications

RATING	0.5A 50V DC
CIRCUIT	1P2T
CONTACT RESISTANCE	100mΩ MAX.
TIMING	NON-SHORTING
TRAVEL	3mm
OPERATING FORCE	180±80gf
OPERATING LIFE(cycles)	10,000



8							
7							
6	SPRING	STEEL STRIP	1	NATURAL	WITHIN 1.5mm: ±0.1mm	UNITS	mm
5	CONTACT	BRASS STRIP	1	Ag PLATED	OVER 1.5mm: ±0.2mm	MAT'L	SEE NOTE
4	TERMINAL	BRASS STRIP	3	Ag PLATED		FINISH	SEE NOTE
3	BASE	PHENOLIC RESIN	1	NATURAL		Q'TY	
2	KNOB	POM	1	BLACK			
1	FRAME	STEEL STRIP	1	Ni PLATED			
NO.	PARTS	MATERIAL	Q'TY	FINISHING			

THESE DRAWINGS AND SPECIFICATIONS ARE THE PROPERTY OF ACCURATE INNOTECH INC AND SHALL NOT BE REPRODUCED, COPIED OR USED IN ANY MANNER WITHOUT THE PRIOR WRITTEN CONSENT OF ACCURATE INNOTECH INC.

雅安科技有限公司
ACCURATE INNOTECH INC.

TITLE: SLIDE SWITCH / HORIZONTAL	PART NO.: SK-12F14
DR: <i>Ricky</i> 2016/06/22	DWG NO.: ADL-12F14
CHKD: <i>Ricky</i> 2016/06/22	
APPD:	

SCALE	SHEET	REV.	CUSTOMER DRAWING
3:1	1/1	A	