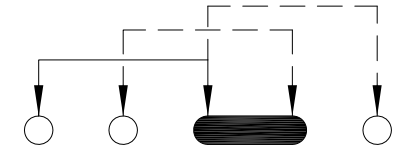
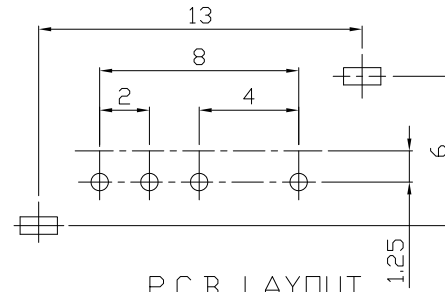
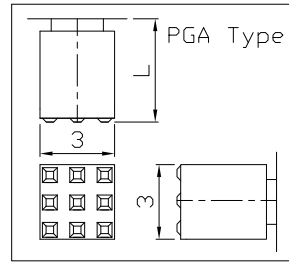
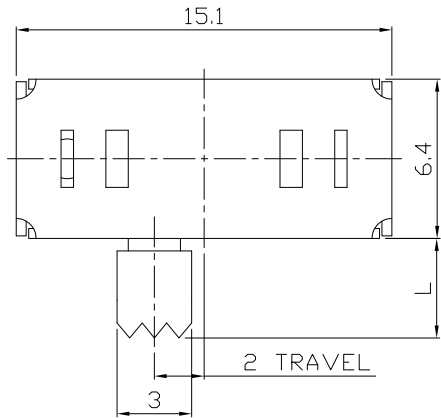




RoHS Compliant  
2002/95/EC

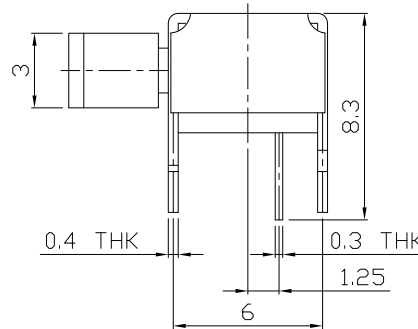
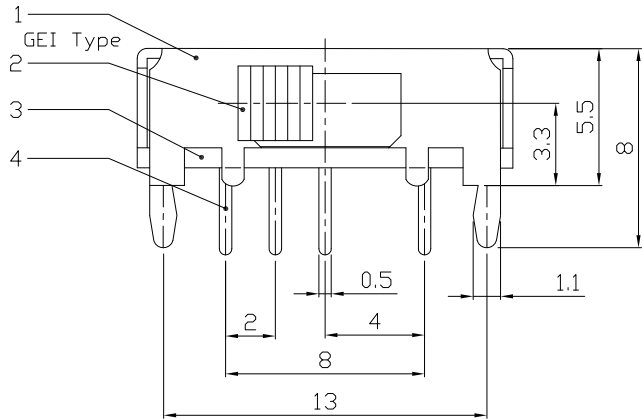
| REV. | ECN. | NO. | APPD. |
|------|------|-----|-------|
|      |      |     |       |
|      |      |     |       |
|      |      |     |       |

DIMENSIONS



P.C.B LAYOUT  
BOTTOM VIEW

CIRCUIT DIAGRAM



ELECTRO-MECHANICAL CHARACTERISTICS  
Refer to additional specifications

|                        |             |
|------------------------|-------------|
| RATING                 | 0.3A 50V DC |
| CIRCUIT                | 1P3T        |
| CONTACT RESISTANCE     | 100mΩ MAX.  |
| TIMING                 | SHORTING    |
| TRAVEL                 | 2mm         |
| OPERATING FORCE        | 250±100gf   |
| OPERATING LIFE(cycles) | 10,000      |

| NO. | PARTS        | MATERIAL       | Q'TY | FINISHING |
|-----|--------------|----------------|------|-----------|
| 8   |              |                |      |           |
| 7   |              |                |      |           |
| 6   | SPRING PLATE | SUS            | 1    | NATURAL   |
| 5   | CONTACT CLIP | PBS STRIP      | 1    | Ag PLATED |
| 4   | TERMINAL     | BRASS STRIP    | 4    | Ag PLATED |
| 3   | BASE         | PHENOLIC RESIN | 1    | NATURAL   |
| 2   | KNOB         | PPOM           | 1    | BLACK     |
| 1   | FRAME        | STEEL STRIP    | 1    | Ni PLATED |

WITHIN 1.5mm: ±0.1mm  
OVER 1.5mm: ±0.2mm

UNITS mm

MAT'L SEE NOTE

FINISH SEE NOTE

Q'TY

THESE DRAWINGS AND SPECIFICATIONS ARE THE PROPERTY OF ACCURATE INNOTECH INC AND SHALL NOT BE REPRODUCED, COPIED OR USED IN ANY MANNER WITHOUT THE PRIOR WRITTEN CONSENT OF ACCURATE INNOTECH INC.

| 雅安科技有限公司<br>ACCURATE INNOTECH INC.  |  |                       |                  |
|-------------------------------------|--|-----------------------|------------------|
| TITLE:<br>SLIDE SWITCH / HORIZONTAL |  | PART NO.:<br>SK-13D12 |                  |
| DR: <i>Ricky</i> 2016/06/23         |  | DWG NO.:<br>ADL-13D12 |                  |
| CHKD: <i>Ricky</i> 2016/06/23       |  | SCALE                 | SHEET            |
| APPD:                               |  | 3:1                   | 1/1              |
|                                     |  | REV.                  | CUSTOMER DRAWING |
|                                     |  | A                     |                  |