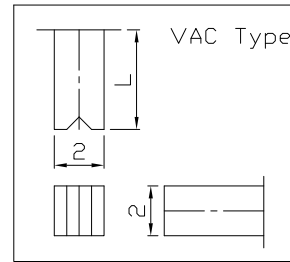
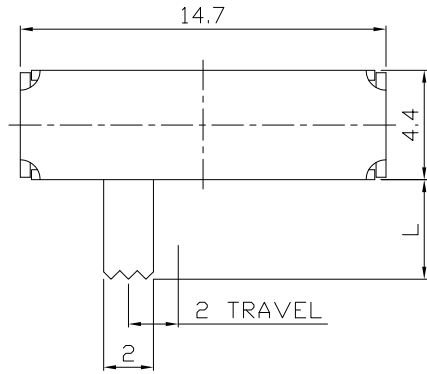




RoHS Compliant
2002/95/EC

REV.	ECN.	NO.	APPD.

DIMENSIONS

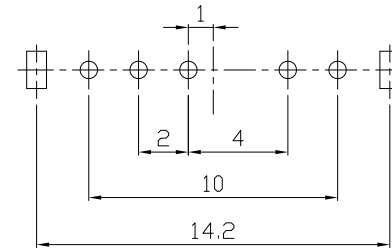


MODEL CODE

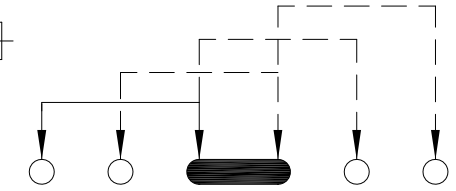
SK-14D12-GFB

Knob Type
GFB
VAC

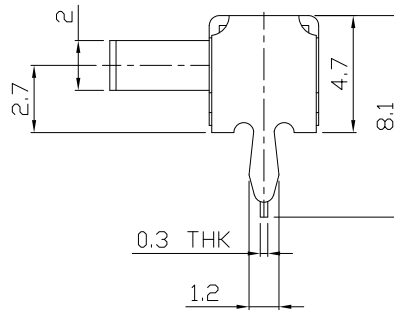
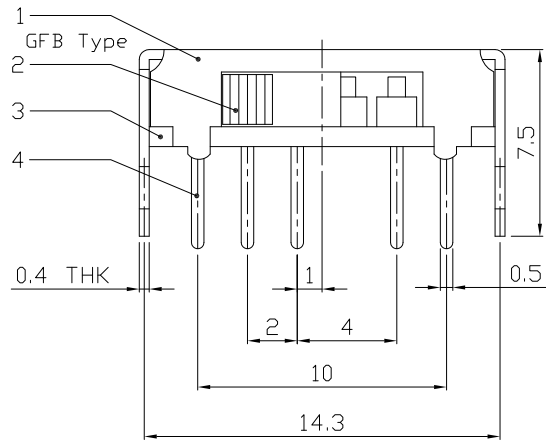
L(mm)
~



P.C.B LAYOUT
BOTTOM VIEW



CIRCUIT DIAGRAM



ELECTRO-MECHANICAL CHARACTERISTICS

Refer to additional specifications

RATING	0.3A 50V DC
CIRCUIT	1P4T
CONTACT RESISTANCE	100mΩ MAX.
TIMING	SHORTING
TRAVEL	2mm
OPERATING FORCE	250±100gf
OPERATING LIFE(cycles)	10,000

NO.	PARTS	MATERIAL	Q'TY	FINISHING	UNITS	mm	雅安科技有限公司 ACCURATE INNOTECH INC.			
8					WITHIN 1.5mm: ±0.1mm		TITLE: SLIDE SWITCH / HORIZONTAL	PART NO.: SK-14D12		
7					OVER 1.5mm: ±0.2mm	MAT'L SEE NOTE				
6	SPRING PLATE	SUS	1	NATURAL		FINISH SEE NOTE	CHKD: <i>Ricky</i> 2016/06/23			
5	CONTACT CLIP	PBS STRIP	1	Ag PLATED		Q'TY				SCALE SHEET REV. CUSTOMER 3:1 1/1 A DRAWING
4	TERMINAL	BRASS STRIP	5	Ag PLATED			APPD:			
3	BASE	PHENOLIC RESIN	1	NATURAL						
2	KNOB	POM	1	BLACK						
1	FRAME	STEEL STRIP	1	Ni PLATED						