



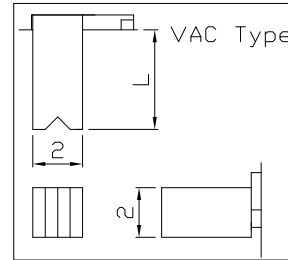
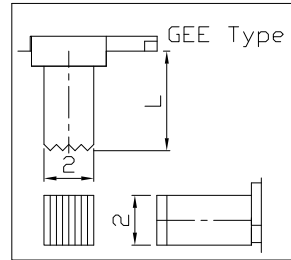
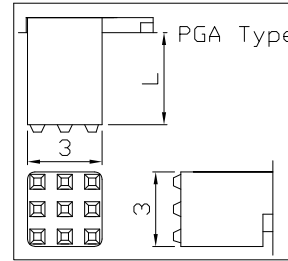
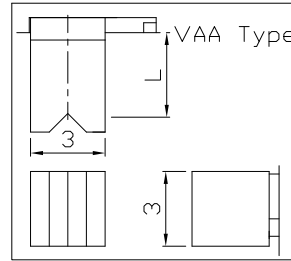
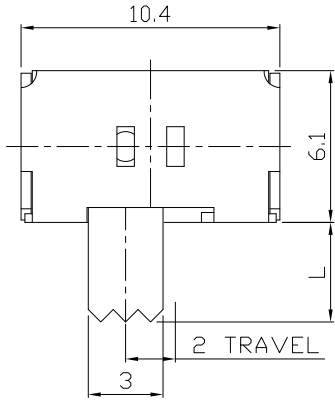
RoHS Compliant
2002/95/EC

MODEL CODE

SK-22D12-GEI

REV.	ECN. NO.	APPD.

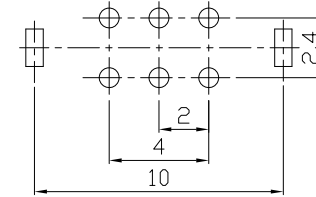
DIMENSIONS



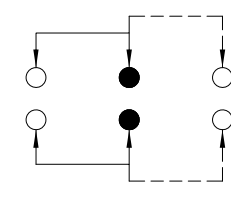
Knob Type

GEI
VAA
PGA
GEE
VAC

L(mm)
~



P.C.B LAYOUT
BOTTOM VIEW

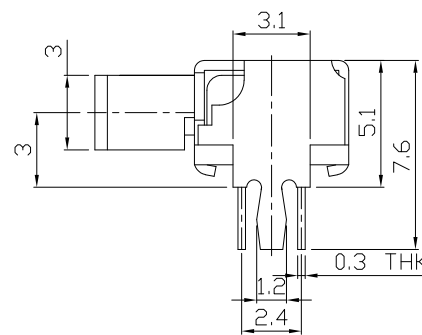
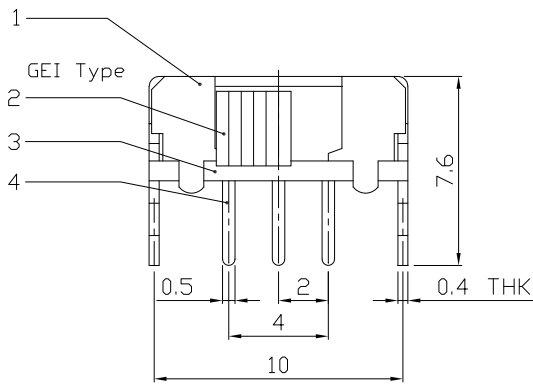


CIRCUIT DIAGRAM

ELECTRO-MECHANICAL CHARACTERISTICS

Refer to additional specifications

RATING	0.3A 30V DC
CIRCUIT	2P2T
CONTACT RESISTANCE	30mΩ MAX.
TIMING	SHORTING
TRAVEL	2mm
OPERATING FORCE	200±100gf
OPERATING LIFE(cycles)	10,000



NO.	PARTS	MATERIAL	Q'TY	FINISHING
8				
7				WITHIN 1.5mm: ±0.1mm
6	CONTACT CLIP	PBS C5210R-EH	2	Ag CLAD
5	SPRING PLATE	STAINLESS STEEL	1	NATURAL
4	TERMINAL	BRASS STRIP	6	Ag PLATED OVER Ni PLATED
3	BASE	PHENOLIC RESIN	1	NATURAL
2	KNOB	POM	1	BLACK
1	FRAME	STEEL STRIP	1	Ni PLATED

THESE DRAWINGS AND SPECIFICATIONS ARE THE PROPERTY OF ACCURATE INNOTECH INC AND SHALL NOT BE REPRODUCED, COPIED OR USED IN ANY MANNER WITHOUT THE PRIOR WRITTEN CONSENT OF ACCURATE INNOTECH INC.

UNITS	mm	雅安科技有限公司 ACCURATE INNOTECH INC.				
MAT'L	SEE NOTE					
FINISH	SEE NOTE	TITLE:	PART NO.:			
Q'TY	SEE NOTE	SLIDE SWITCH / HORIZONTAL	SK-22D12			
		DR: Ricky 2015/12/11	DWG NO.:			
		CHKD: Ricky 2015/12/11	ADJ-22D12			
		APPD:	SCALE	SHEET	REV.	CUSTOMER DRAWING
			4:1	1/1	A	