



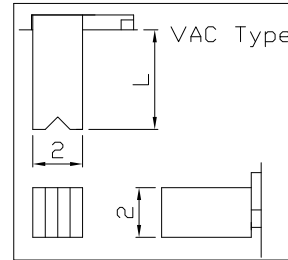
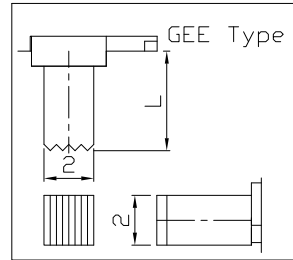
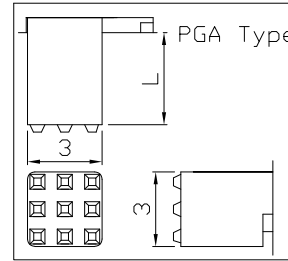
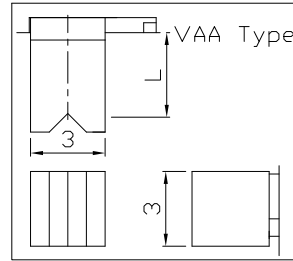
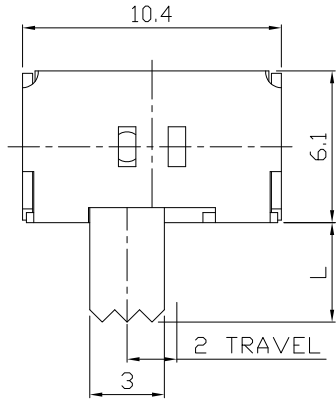
RoHS Compliant
2002/95/EC

MODEL CODE

SK-22D32-GEI

REV.	ECN.	NO.	APPD.

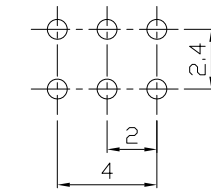
DIMENSIONS



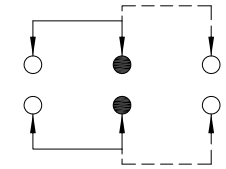
Knob Type

GEI
VAA
PGA
GEE
VAC

L(mm)
~



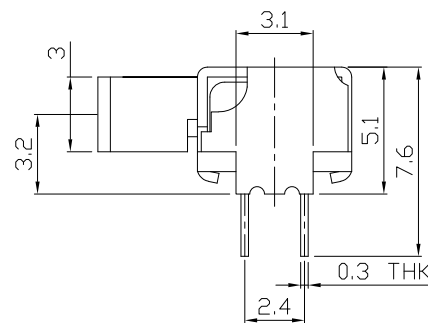
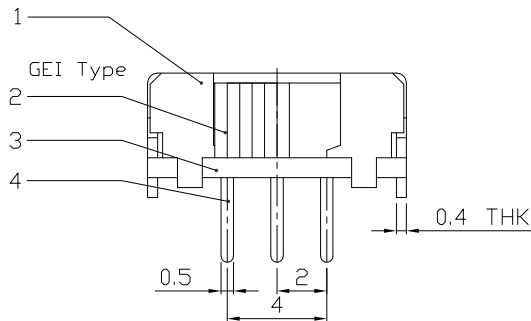
P.C.B LAYOUT
BOTTOM VIEW



CIRCUIT DIAGRAM

ELECTRO-MECHANICAL CHARACTERISTICS
Refer to additional specifications

RATING	0.3A 30V DC
CIRCUIT	2P2T
CONTACT RESISTANCE	30mΩ MAX.
TIMING	NON-SHORTING
TRAVEL	2mm
OPERATING FORCE	200±100gf
OPERATING LIFE(cycles)	10,000



NO.	PARTS	MATERIAL	Q'TY	FINISHING
8				
7				WITHIN 1.5mm: ±0.1mm
6	CONTACT CLIP	PBS C5210R-EH	2	Ag CLAD
5	SPRING PLATE	SUS	1	NATURAL
4	TERMINAL	BRASS STRIP	6	Ag PLATED OVER Ni PLATED
3	BASE	PHENOLIC RESIN	1	NATURAL
2	KNOB	PPOM	1	BLACK
1	FRAME	STEEL STRIP	1	Ni PLATED
NO.	PARTS	MATERIAL	Q'TY	FINISHING

OVER 1.5mm: ±0.2mm

UNITS mm

MAT'L SEE NOTE

FINISH SEE NOTE

Q'TY

THESE DRAWINGS AND SPECIFICATIONS ARE THE PROPERTY OF ACCURATE INNOTECH INC AND SHALL NOT BE REPRODUCED, COPIED OR USED IN ANY MANNER WITHOUT THE PRIOR WRITTEN CONSENT OF ACCURATE INNOTECH INC.

雅安科技有限公司
ACCURATE INNOTECH INC.

TITLE: SLIDE SWITCH / HORIZONTAL

PART NO.: SK-22D32

DR: Ricky 2015/12/11

DWG NO.: ADJ-22D32

CHKD: Ricky 2015/12/11

APPD:

SCALE	SHEET	REV.	CUSTOMER DRAWING
4:1	1/1	A	