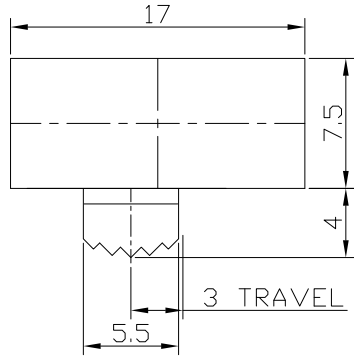




RoHS
Compliant
2002/95/EC

REV.	ECN.	NO.	APPD.

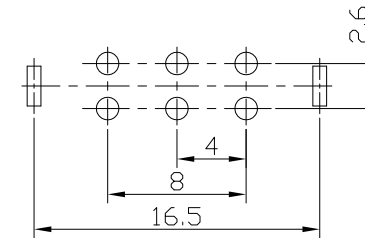
DIMENSIONS



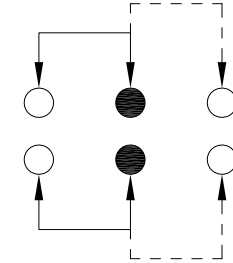
MODEL CODE

SK-22F12- GDB

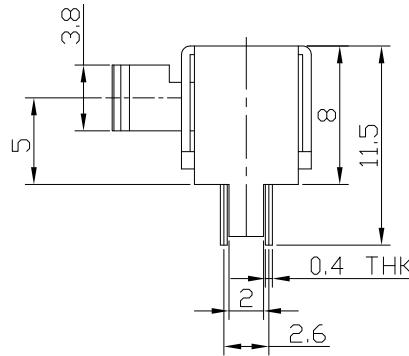
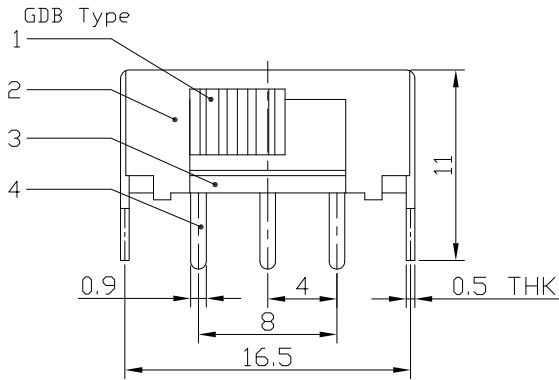
Knob Type	L(mm)
GDB	~



P.C.B LAYOUT
BOTTOM VIEW



CIRCUIT DIAGRAM

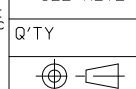


ELECTRO-MECHANICAL CHARACTERISTICS
Refer to additional specifications

RATING	0.5A 50V DC
CIRCUIT	2P2T
CONTACT RESISTANCE	100mΩ MAX.
TIMING	NON-SHORTING
TRAVEL	3mm
OPERATING FORCE	180±80gf
OPERATING LIFE(cycles)	10,000

8					WITHIN 1.5mm: ±0.1mm	UNITS mm	雅安科技有限公司 ACCURATE INNOTECH INC.
7					OVER 1.5mm: ±0.2mm	MAT'L	
6	CONTACT	BRASS STRIP	2	Ag PLATED		SEE NOTE	TITLE: SLIDE SWITCH / HORIZONTAL
5	SPRING	STEEL STRIP	2	NATURAL			PART NO: SK-22F12
4	TERMINAL	BRASS STRIP	6	Ag PLATED			DR: Ricky 2016/06/24
3	BASE	PHENOLIC RESIN	1	BLACK			DWG NO: ADL-22F12
2	FRAME	STEEL STRIP	1	Ni PLATED			CHKD: Ricky 2016/06/24
1	KNOB	POM	1	BLACK			APPD:
NO.	PARTS	MATERIAL	Q'TY	FINISHING			SCALE SHEET REV. CUSTOMER DRAWING
							5:2 1/1 A

THESE DRAWINGS AND SPECIFICATIONS ARE THE PROPERTY OF ACCURATE INNOTECH INC AND SHALL NOT BE REPRODUCED, COPIED OR USED IN ANY MANNER WITHOUT THE PRIOR WRITTEN CONSENT OF ACCURATE INNOTECH INC.



Q'TY

FINISH

SEE NOTE

SEE NOTE

UNITS mm

MAT'L

SEE NOTE

UNITS mm

MAT'L

SEE NOTE

UNITS mm

MAT'L

SEE NOTE

UNITS mm

MAT'L

SEE NOTE

UNITS mm

MAT'L

SEE NOTE

UNITS mm

MAT'L

SEE NOTE

UNITS mm

MAT'L

SEE NOTE

UNITS mm

MAT'L

SEE NOTE

UNITS mm

MAT'L

SEE NOTE