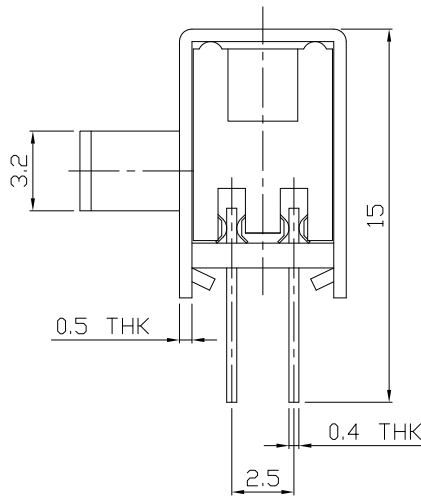
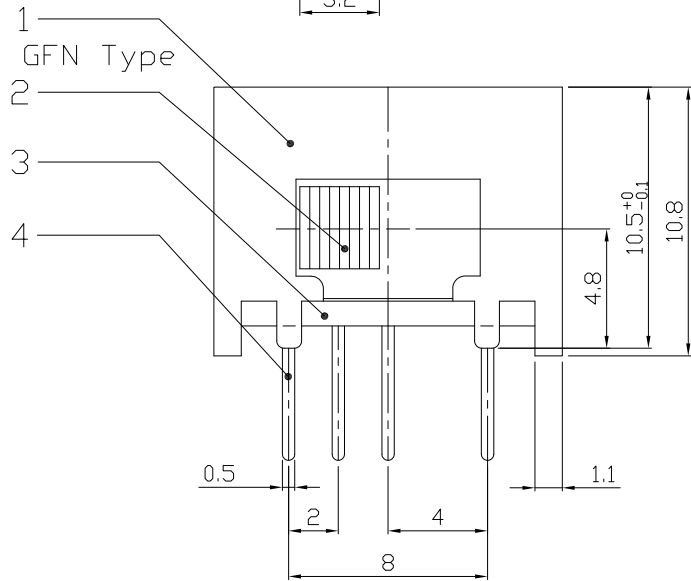
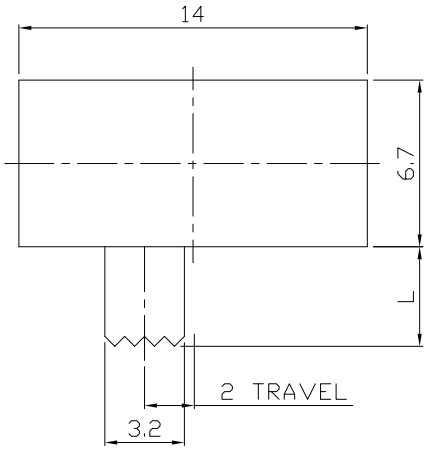




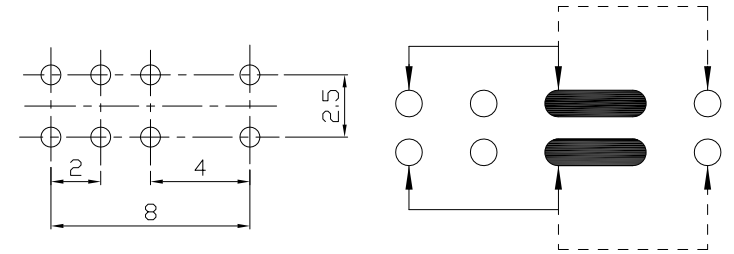
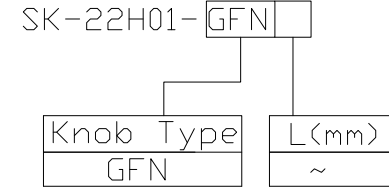
RoHS
Compliant
2002/95/EC

| REV. | ECN. | NO. | APPD. |
|------|------|-----|-------|
| | | | |
| | | | |
| | | | |

DIMENSIONS



MODEL CODE



P.C.B LAYOUT
BOTTOM VIEW

CIRCUIT DIAGRAM

ELECTRO-MECHANICAL CHARACTERISTICS
Refer to additional specifications

| | |
|------------------------|--------------|
| RATING | 0.3A 50V DC |
| CIRCUIT | 2P2T |
| CONTACT RESISTANCE | 100mΩ MAX. |
| TIMING | NON-SHORTING |
| TRAVEL | 2mm |
| OPERATING FORCE | 250±100gf |
| OPERATING LIFE(cycles) | 10,000 |

| | | | | | | | | | | | | | | |
|-----|--------------|----------------|------|-----------|----------------------|----------|----|------------------------------------|------------------|--|----------|-----------|------|----------|
| 8 | | | | | WITHIN 1.5mm: ±0.1mm | UNITS | mm | 雅安科技有限公司 ACCURATE INNOTECH INC. | | | | | | |
| 7 | STEEL BALL | STEEL | 1 | NATURAL | OVER 1.5mm: ±0.2mm | MAT'L | | | | | | | | |
| 6 | SPRING | STEEL WIRE | 1 | NATURAL | | SEE NOTE | | TITLE: | PART NO.: | | | | | |
| 5 | CONTACT CLIP | PBS STRIP | 2 | Ag PLATED | | | | SLIDE SWITCH / HORIZONTAL | SK-22H01 | | | | | |
| 4 | TERMINAL | BRASS STRIP | 8 | Ag PLATED | | | | DR: | Ricky 2016/06/27 | | DWG NO.: | ADL-22H01 | | |
| 3 | BASE | PHENOLIC RESIN | 1 | NATURAL | | | | CHKD: | Ricky 2016/06/27 | | SCALE | SHEET | REV. | CUSTOMER |
| 2 | KNOB | POM | 1 | BLACK | | | | APPD: | | | 3:1 | 1/1 | A | DRAWING |
| 1 | FRAME | STEEL STRIP | 1 | Ni PLATED | | | | | | | | | | |
| NO. | PARTS | MATERIAL | Q'TY | FINISHING | | | | | | | | | | |

THESE DRAWINGS AND SPECIFICATIONS ARE THE PROPERTY OF ACCURATE INNOTECH INC AND SHALL NOT BE REPRODUCED, COPIED OR USED IN ANY MANNER WITHOUT THE PRIOR WRITTEN CONSENT OF ACCURATE INNOTECH INC.