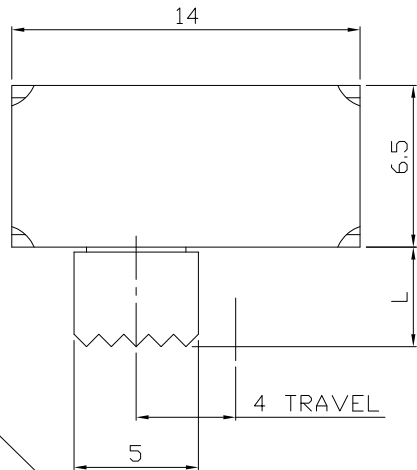




RoHS
Compliant
2002/95/EC

REV.	ECN.	NO.	APPD.

DIMENSIONS

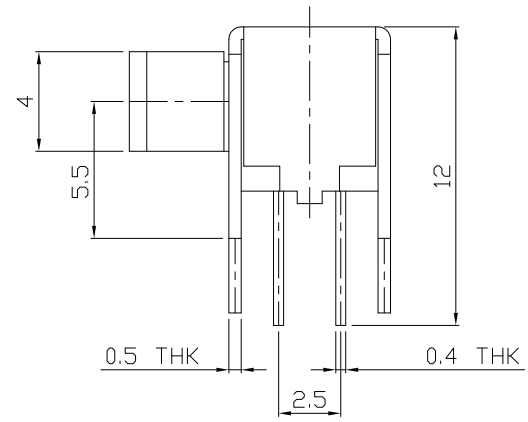
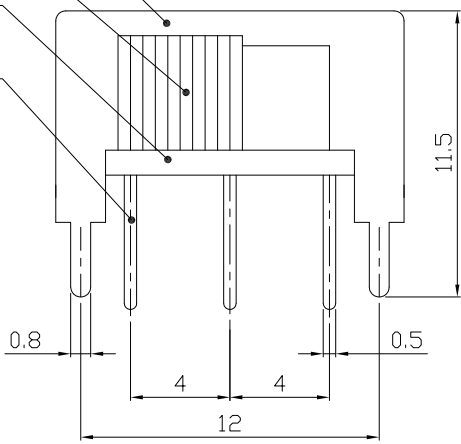


1
GEP Type

2

3

4

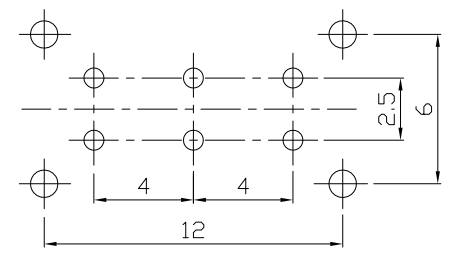


MODEL CODE

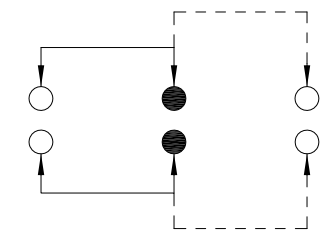
SK-22H09-GEP

Knob Type
GEP

L(mm)
~



P.C.B LAYOUT
BOTTOM VIEW



CIRCUIT DIAGRAM

ELECTRO-MECHANICAL CHARACTERISTICS

Refer to additional specifications

RATING	0.3A 50V DC
CIRCUIT	2P2T
CONTACT RESISTANCE	30mΩ MAX.
TIMING	SHORTING
TRAVEL	4mm
OPERATING FORCE	250±100gf
OPERATING LIFE(cycles)	10,000

8							
7	STEEL BALL	SUS	1	NATURAL	WITHIN 1.5mm: ±0.1mm	UNITS	<p>雅安科技有限公司 ACCURATE INNOTECH INC.</p> <p>TITLE: SLIDE SWITCH / HORIZONTAL</p> <p>DR: <i>Ricky</i> 2016/08/11</p> <p>CHKD: <i>Ricky</i> 2016/08/11</p> <p>APPD:</p> <p>PART NO.: SK-22H09</p> <p>DWG NO.: AZJ-22H09</p> <p>SCALE: 3:1</p> <p>SHEET: 1/1</p> <p>REV.: A</p> <p>CUSTOMER DRAWING</p>
6	SPRING	SUS WIRE	1	NATURAL	OVER 1.5mm: ±0.2mm	MAT'L	
5	CLIP	PBS	2	Ag PLATED		SEE NOTE	
4	TERMINAL	BRASS STRIP	6	Ag PLATED		FINISH	
3	TERMINAL BASE	PHENOLIC RESIN	1	NATURAL		SEE NOTE	
2	COVER	MILD STEEL	1	Ni PLATED		Q'TY	
1	KNOB	POM	1	BLACK			
NO.	PARTS	MATERIAL	Q'TY	FINISHING			

THESE DRAWINGS AND SPECIFICATIONS ARE THE PROPERTY OF ACCURATE INNOTECH INC AND SHALL NOT BE REPRODUCED, COPIED OR USED IN ANY MANNER WITHOUT THE PRIOR WRITTEN CONSENT OF ACCURATE INNOTECH INC.

