



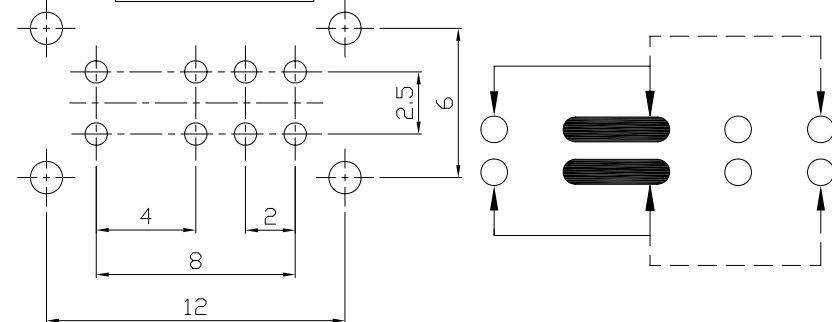
RoHS  
Compliant  
2002/95/EC

REV.	ECN.	NO.	APPD.

### MODEL CODE

SK-22H11- GEP

Knob Type	L(mm)
GEP	~
GEG	~



P.C.B LAYOUT  
BOTTOM VIEW

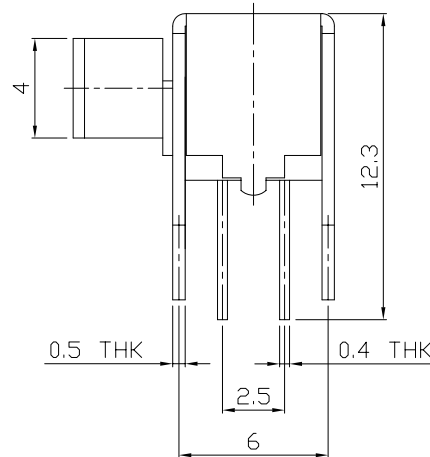
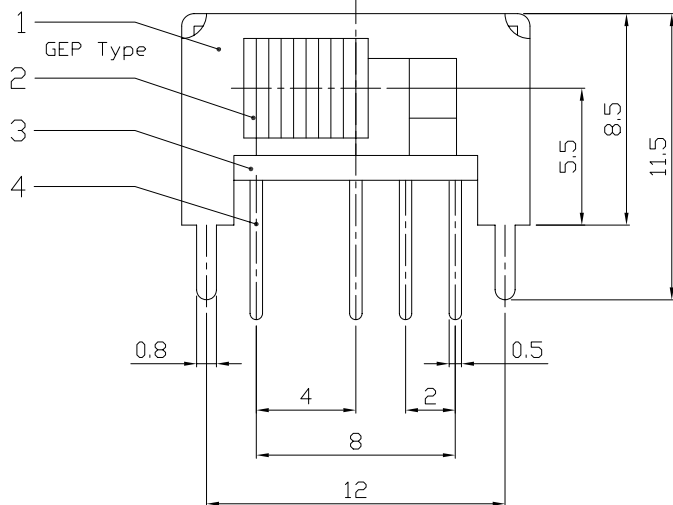
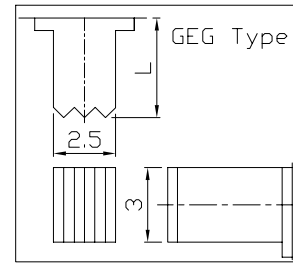
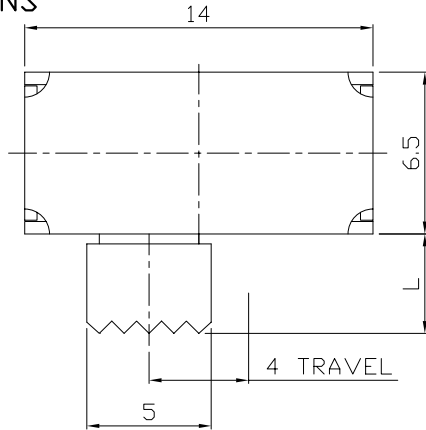
CIRCUIT DIAGRAM

### ELECTRO-MECHANICAL CHARACTERISTICS

Refer to additional specifications

RATING	0.3A 30V DC
CIRCUIT	2P2T
CONTACT RESISTANCE	30mΩ MAX.
TIMING	NON-SHORTING
TRAVEL	4mm
OPERATING FORCE	200±100gf
OPERATING LIFE(cycles)	10,000

### DIMENSIONS



NO.	PARTS	MATERIAL	Q'TY	FINISHING
8				
7	CONTACT CLIP	PBS C5210R-EH	2	Ag CLAD
6	SPRING	STEEL WIRE	1	NATURAL
5	STEEL BALL	STEEL	1	NATURAL
4	TERMINAL	BRASS STRIP	8	Ag PLATED OVER Ni PLATED
3	BASE	PHENOLIC RESIN	1	NATURAL
2	KNOB	POM	1	BLACK
1	FRAME	STEEL STRIP	1	Ni PLATED

WITHIN 1.5mm: ±0.1mm  
OVER 1.5mm: ±0.2mm

UNITS mm

MAT'L SEE NOTE

FINISH SEE NOTE

Q'TY

THESE DRAWINGS AND SPECIFICATIONS ARE THE PROPERTY OF ACCURATE INNOTECH INC AND SHALL NOT BE REPRODUCED, COPIED OR USED IN ANY MANNER WITHOUT THE PRIOR WRITTEN CONSENT OF ACCURATE INNOTECH INC.

雅安科技有限公司  
ACCURATE INNOTECH INC.

TITLE: SLIDE SWITCH / HORIZONTAL PART NO.: SK-22H11

DR: Ricky 2015/12/16 DWG NO.: ADJ-22H11

CHKD: Ricky 2015/12/16

APPD:

SCALE	SHEET	REV.	CUSTOMER
3:1	1/1	A	DRAWING