



RoHS
Compliant
2002/95/EC

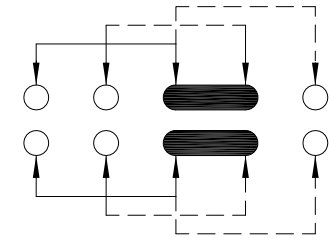
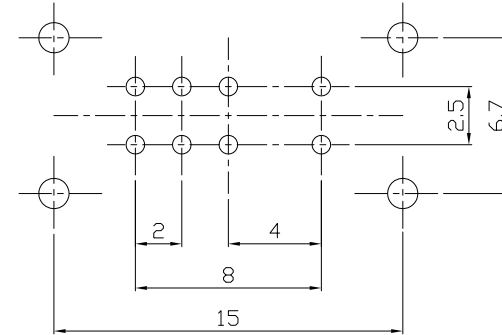
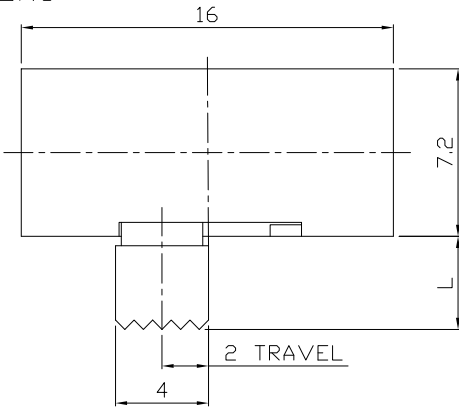
REV.	ECN.	NO.	APPD.

MODEL CODE

SK-23D05-GBP

Knob Type	L(mm)
GBP	~

DIMENSIONS



P.C.B LAYOUT

BOTTOM VIEW

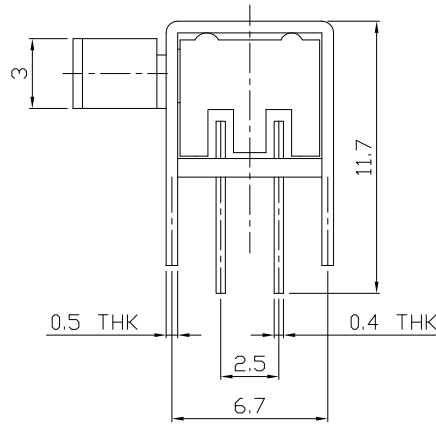
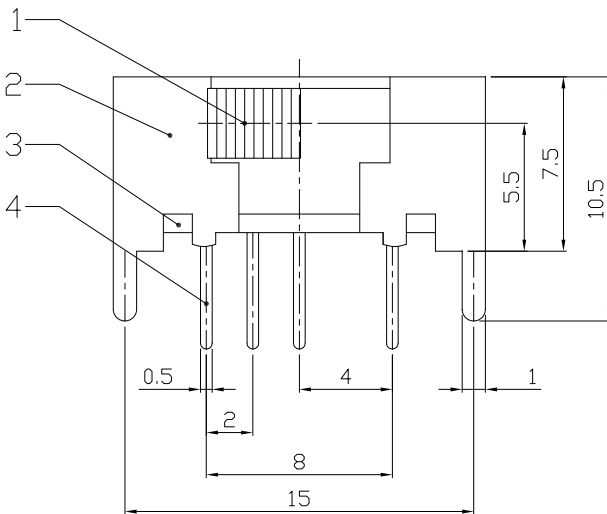
CIRCUIT DIAGRAM

ELECTRO-MECHANICAL CHARACTERISTICS

Refer to additional specifications

RATING	0.3A 50V DC
CIRCUIT	2P3T
CONTACT RESISTANCE	100mΩ MAX.
TIMING	SHORTING
TRAVEL	2mm
OPERATING FORCE	250±100gf
OPERATING LIFE(cycles)	10,000

GBP Type



NO.	PARTS	MATERIAL	Q'TY	FINISHING
8				
7	CONTACT CLIP	PBS STRIP	2	Ag PLATED
6	SPRING	STEEL WIRE	1	NATURAL
5	STEEL BALL	STEEL	1	NATURAL
4	TERMINAL	BRASS STRIP	8	Ag PLATED
3	BASE	PHENOLIC RESIN	1	NATURAL
2	FRAME	STEEL STRIP	1	Ni PLATED
1	KNOB	POM	1	BLACK

WITHIN 1.5mm: ±0.1mm	UNITS mm
OVER 1.5mm: ±0.2mm	MAT'L
	SEE NOTE
	FINISH
	SEE NOTE
	Q'TY

雅安科技有限公司 ACCURATE INNOTECH INC.			
TITLE: SLIDE SWITCH / HORIZONTAL		PART NO.: SK-23D05	
DR: <i>Ricky</i> 2016/07/11		DWG NO.: ADL-23D05	
CHKD: <i>Ricky</i> 2016/07/11		SCALE 3:1	SHEET 1/1
APPD:		REV. A	CUSTOMER DRAWING

THESE DRAWINGS AND SPECIFICATIONS ARE THE PROPERTY OF ACCURATE INNOTECH INC AND SHALL NOT BE REPRODUCED, COPIED OR USED IN ANY MANNER WITHOUT THE PRIOR WRITTEN CONSENT OF ACCURATE INNOTECH INC.

