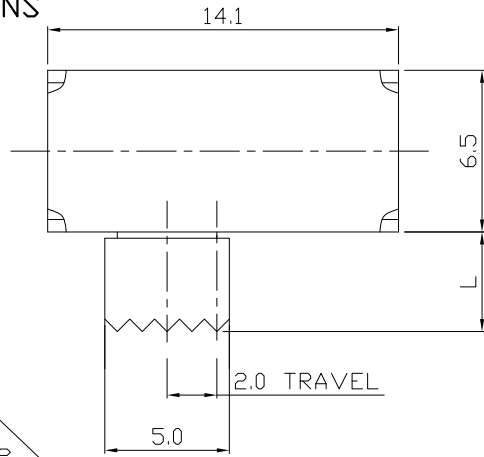




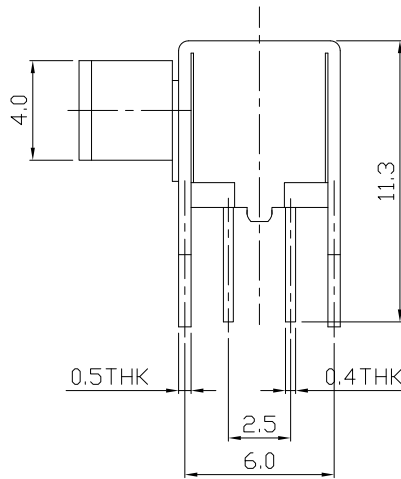
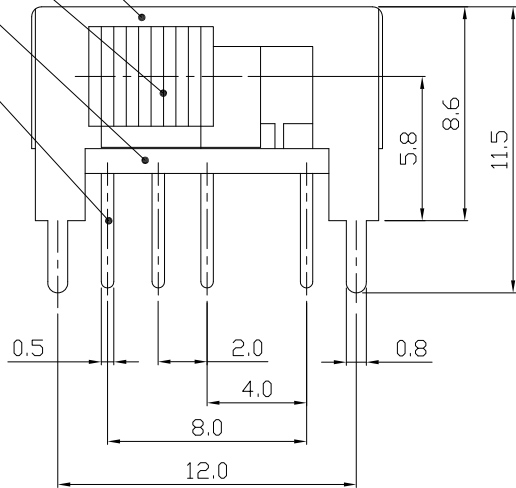
RoHS Compliant
2002/95/EC

REV.	ECN.	NO.	APPD.

DIMENSIONS



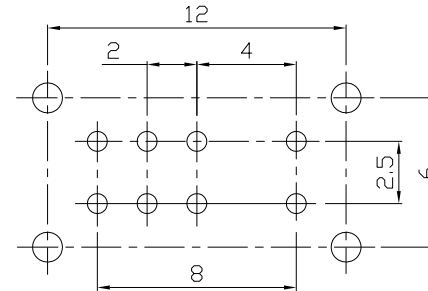
1 GEP Type
2



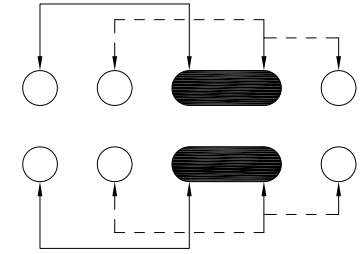
MODEL CODE

SK-23D09-GEP

Knob Type	L(mm)
GEP	~



P.C.B LAYOUT
BOTTOM VIEW



CIRCUIT DIAGRAM

ELECTRO-MECHANICAL CHARACTERISTICS

Refer to additional specifications

RATING	0.3A 50V DC
CIRCUIT	2P3T
CONTACT RESISTANCE	30mΩ MAX.
TIMING	SHORTING
TRAVEL	2mm
OPERATING FORCE	250±100gf
OPERATING LIFE(cycles)	10,000

8					
7	STEEL BALL	SUS	1	NATURAL	WITHIN 1.5mm: ±0.1mm
6	SPRING	SUS WIRE	1	NATURAL	OVER 1.5mm: ±0.2mm
5	CLIP	PBS	2	Ag PLATED	
4	TERMINAL	BRASS STRIP	6	Ag PLATED	
3	TERMINAL BASE	PHENOLIC RESIN	1	NATURAL	
2	COVER	MILD STEEL	1	Ni PLATED	
1	KNOB	POM	1	BLACK	
NO.	PARTS	MATERIAL	Q'TY	FINISHING	

THESE DRAWINGS AND SPECIFICATIONS ARE THE PROPERTY OF ACCURATE INNOTECH INC AND SHALL NOT BE REPRODUCED, COPIED OR USED IN ANY MANNER WITHOUT THE PRIOR WRITTEN CONSENT OF ACCURATE INNOTECH INC.

UNITS	mm	雅安科技有限公司 ACCURATE INNOTECH INC.			
MAT'L	SEE NOTE				
FINISH	SEE NOTE	TITLE:	PART NO.:		
Q'TY		SLIDE SWITCH / HORIZONTAL	SK-23D09		
		DR: Ricky 2016/08/11	DWG NO.:		
		CHKD: Ricky 2016/08/11	AZJ-23D09		
		APPD:	SCALE	SHEET	REV.
			3:1	1/1	A
			CUSTOMER DRAWING		