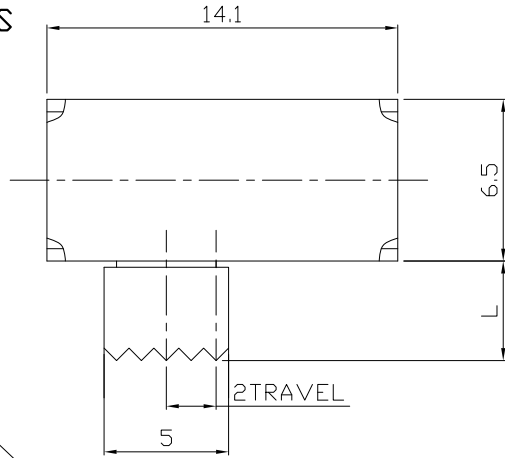




RoHS  
Compliant  
2002/95/EC

REV.	ECN.	NO.	APPD.

**DIMENSIONS**

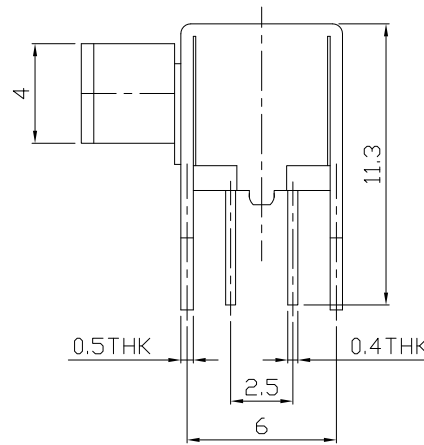
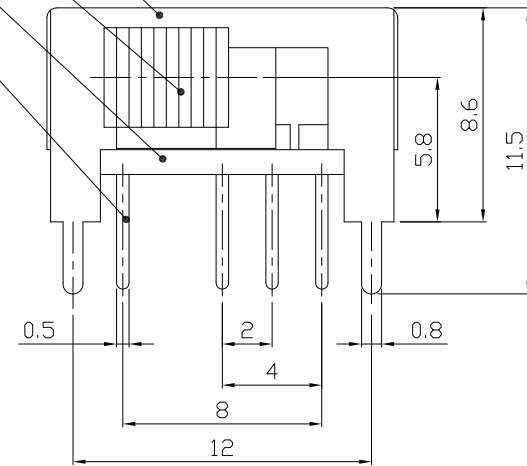


1  
GEP Type

2

3

4

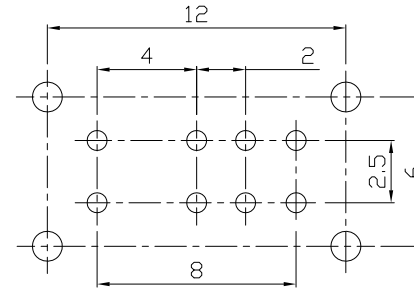


**MODEL CODE**

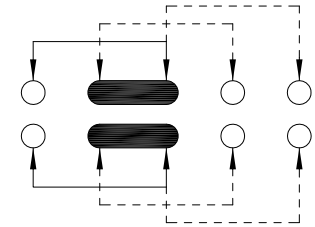
SK-23D29-GEP

Knob Type  
GEP

L(mm)  
~



P.C.B LAYOUT  
BOTTOM VIEW



CIRCUIT DIAGRAM

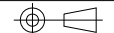
**ELECTRO-MECHANICAL CHARACTERISTICS**

Refer to additional specifications

RATING	0.3A 50V DC
CIRCUIT	2P3T
CONTACT RESISTANCE	30mΩ MAX.
TIMING	SHORTING
TRAVEL	2mm
OPERATING FORCE	250±100gf
OPERATING LIFE(cycles)	10,000

8					WITHIN 1.5mm: ±0.1mm	UNITS mm
7	SPRING	SUS WIRE	1	NATURAL	OVER 1.5mm: ±0.2mm	MAT'L
6	SUS BALL	SUS	1	NATURAL		SEE NOTE
5	CONTACT	PBS	2	Ag PLATED		FINISH
4	TERMINAL	BRASS STRIP	1	Ag PLATED		SEE NOTE
3	TERMINAL BASE	PHENOLIC RESIN	1	NATURAL		Q'TY
2	KNOB	POM	1	BLACK		
1	COVER	MILD STEEL	1	Ni PLATED		
NO.	PARTS	MATERIAL	Q'TY	FINISHING		

THESE DRAWINGS AND SPECIFICATIONS ARE THE PROPERTY OF ACCURATE INNOTECH INC AND SHALL NOT BE REPRODUCED, COPIED OR USED IN ANY MANNER WITHOUT THE PRIOR WRITTEN CONSENT OF ACCURATE INNOTECH INC.



雅安科技有限公司  
ACCURATE INNOTECH INC.

TITLE: SLIDE SWITCH / HORIZONTAL	PART NO.: SK-23D29
DR: <i>Ricky</i> 2016/08/11	DWG NO.: AZJ-23D29
CHKD: <i>Ricky</i> 2016/08/11	SCALE SHEET REV. CUSTOMER 3:1 1/1 A DRAWING
APPD:	