



RoHS
Compliant
2002/95/EC

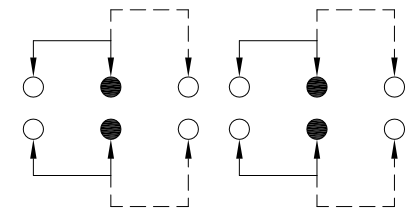
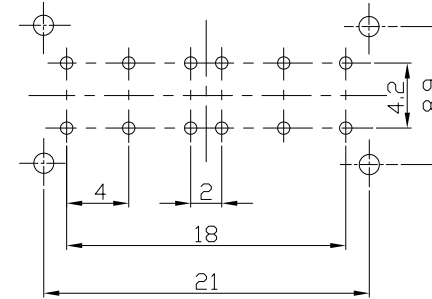
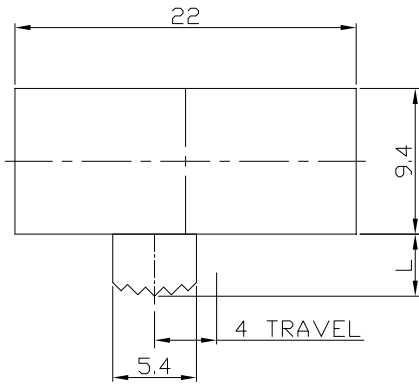
REV.	ECN.	NO.	APPD.

MODEL CODE

SK-42H13-GDB

Knob Type	L(mm)
GDB	~

DIMENSIONS

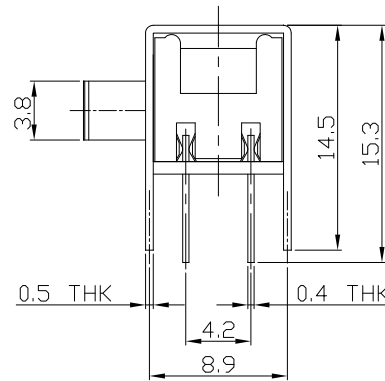
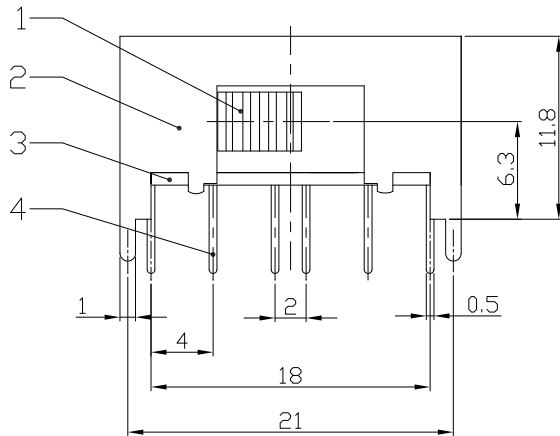


P.C.B LAYOUT

BOTTOM VIEW

CIRCUIT DIAGRAM

GDB Type



ELECTRO-MECHANICAL CHARACTERISTICS

Refer to additional specifications

RATING	0.3A 50V DC
CIRCUIT	4P2T
CONTACT RESISTANCE	100mΩ MAX.
TIMING	NON-SHORTING
TRAVEL	4mm
OPERATING FORCE	200±80gf
OPERATING LIFE(cycles)	10,000

NO.	PARTS	MATERIAL	Q'TY	FINISHING
8				
7	STEEL BALL	STEEL	1	NATURAL
6	SPRING	STEEL WIRE	1	TEMPER
5	CONTACT CLIP	PBS STRIP	4	Ag PLATED
4	TERMINAL	BRASS STRIP	12	Ag PLATED
3	BASE	PHENOLIC RESIN	1	NATURAL
2	FRAME	STEEL STRIP	1	Ni PLATED
1	KNOB	POM	1	BLACK

WITHIN 1.5mm: ±0.1mm
OVER 1.5mm: ±0.2mm

THESE DRAWINGS AND SPECIFICATIONS ARE THE PROPERTY OF ACCURATE INNOTECH INC AND SHALL NOT BE REPRODUCED, COPIED OR USED IN ANY MANNER WITHOUT THE PRIOR WRITTEN CONSENT OF ACCURATE INNOTECH INC.

UNITS	雅安科技有限公司 ACCURATE INNOTECH INC.			
mm	TITLE: SLIDE SWITCH / HORIZONTAL		PART NO.: SK-42H13	
MAT'L	DR: Ricky 2016/07/14		DWG NO.: ADL-42H13	
SEE NOTE	CHKD: Ricky 2016/07/14		SCALE	SHEET
FINISH	APPD:		2:1	1/1
SEE NOTE			REV.	CUSTOMER
Q'TY			A	DRAWING

