



RoHS
Compliant
2002/95/EC

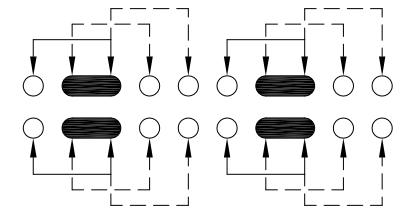
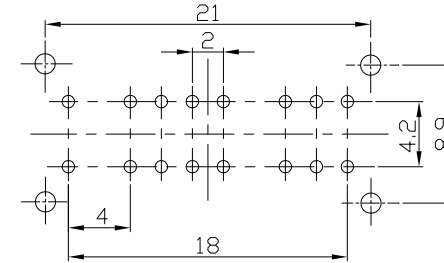
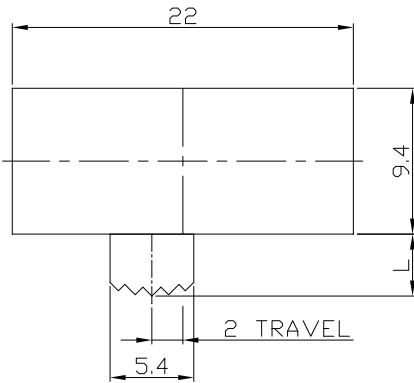
REV.	ECN.	NO.	APPD.

MODEL CODE

SK-43D03-GDB

Knob Type	L(mm)
GDB	~

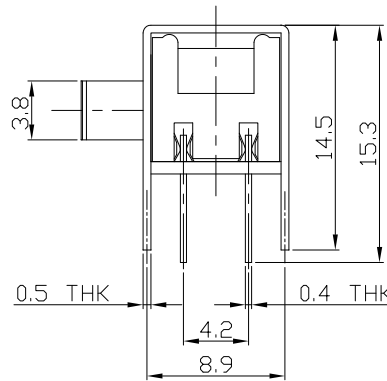
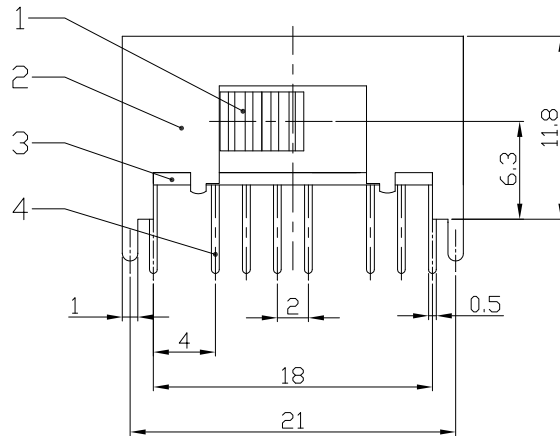
DIMENSIONS



P.C.B LAYOUT
BOTTOM VIEW

CIRCUIT DIAGRAM

GDB Type



ELECTRO-MECHANICAL CHARACTERISTICS
Refer to additional specifications

RATING	0.3A 50V DC
CIRCUIT	4P3T
CONTACT RESISTANCE	100mΩ MAX.
TIMING	SHORTING
TRAVEL	2mm
OPERATING FORCE	300±100gf
OPERATING LIFE(cycles)	10,000

8					
7	STEEL BALL	STEEL	1	NATURAL	WITHIN 1.5mm: ±0.1mm
6	SPRING	STEEL WIRE	1	TEMPER	OVER 1.5mm: ±0.2mm
5	CONTACT CLIP	PBS STRIP	4	Ag PLATED	
4	TERMINAL	BRASS STRIP	16	Ag PLATED	
3	BASE	PHENOLIC RESIN	1	NATURAL	
2	FRAME	STEEL STRIP	1	Ni PLATED	
1	KNOB	POM	1	BLACK	
NO.	PARTS	MATERIAL	Q'TY	FINISHING	

THESE DRAWINGS AND SPECIFICATIONS ARE THE PROPERTY OF ACCURATE INNOTECH INC AND SHALL NOT BE REPRODUCED, COPIED OR USED IN ANY MANNER WITHOUT THE PRIOR WRITTEN CONSENT OF ACCURATE INNOTECH INC.

UNITS	mm	雅安科技有限公司 ACCURATE INNOTECH INC.			
MAT'L	SEE NOTE				
FINISH	SEE NOTE	TITLE:	PART NO.:		
Q'TY	SEE NOTE	SLIDE SWITCH / HORIZONTAL	SK-43D03		
		DR: <i>Ricky</i> 2016/07/15	DWG NO.:		
		CHKD: <i>Ricky</i> 2016/07/15	ADL-43D03		
		APPD:	SCALE	SHEET	REV.
			2:1	1/1	A
			CUSTOMER DRAWING		