



RoHS
Compliant
2002/95/EC

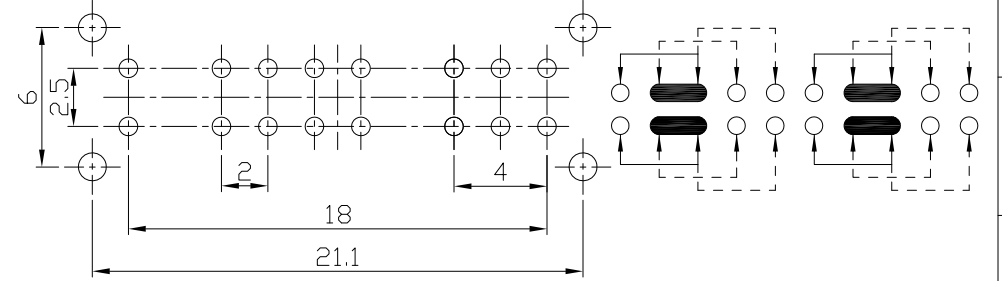
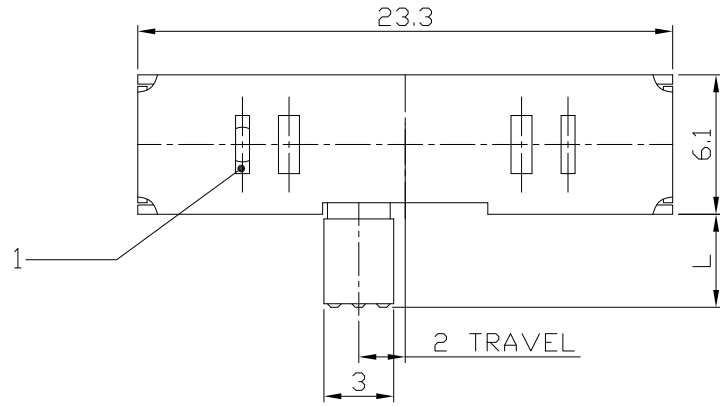
REV.	ECN.	NO.	APPD.

MODEL CODE

SK-43D10-PGA

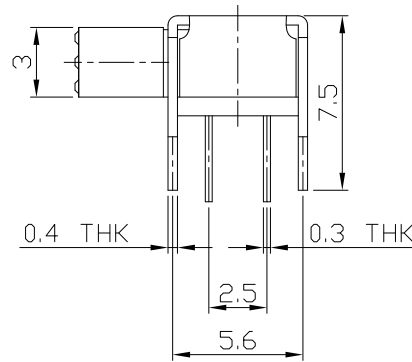
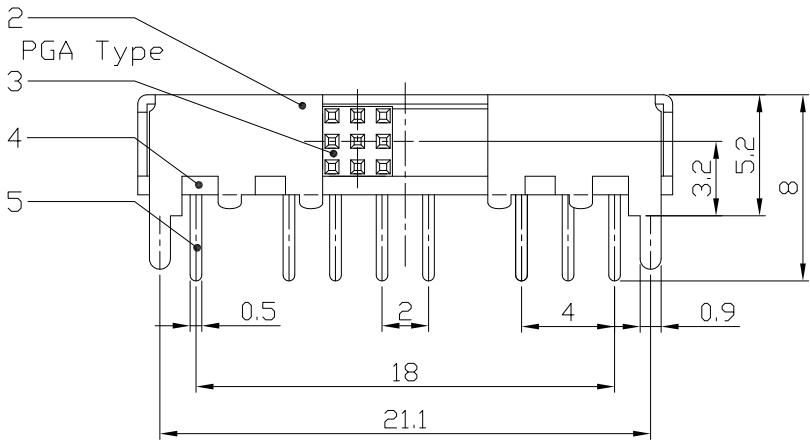
Knob Type	L(mm)
PGA	~

DIMENSIONS



P.C.B LAYOUT
BOTTOM VIEW

CIRCUIT DIAGRAM



ELECTRO-MECHANICAL CHARACTERISTICS
Refer to additional specifications

RATING	0.3A 50V DC
CIRCUIT	4P3T
CONTACT RESISTANCE	100mΩ MAX.
TIMING	SHORTING
TRAVEL	2mm
OPERATING FORCE	250±100gf
OPERATING LIFE(cycles)	10,000

NO.	PARTS	MATERIAL	Q'TY	FINISHING
8				
7				
6	CONTACT CLIP	PBS STRIP	4	Ag PLATED
5	TERMINAL	BRASS STRIP	16	Ag PLATED
4	BASE	PHENDLIC RESIN	1	NATURAL
3	KNOB	POM	1	BLACK
2	FRAME	STEEL STRIP	1	Ni PLATED
1	SPRING PLATE	PBS STRIP	1	NATURAL

WITHIN 1.5mm: ±0.1mm
OVER 1.5mm: ±0.2mm

THESE DRAWINGS AND SPECIFICATIONS ARE THE PROPERTY OF ACCURATE INNOTECH INC AND SHALL NOT BE REPRODUCED, COPIED OR USED IN ANY MANNER WITHOUT THE PRIOR WRITTEN CONSENT OF ACCURATE INNOTECH INC.

UNITS	mm
MAT'L	SEE NOTE
FINISH	SEE NOTE
Q'TY	

雅安科技有限公司
ACCURATE INNOTECH INC.

TITLE: SLIDE SWITCH / HORIZONTAL	PART NO.: SK-43D10
DR: <i>Ricky</i> 2016/07/18	DWG NO.: ADL-43D10
CHKD: <i>Ricky</i> 2016/07/18	SCALE SHEET REV. CUSTOMER 3:1 1/1 A DRAWING
APPD:	