



RoHS  
Compliant  
2002/95/EC

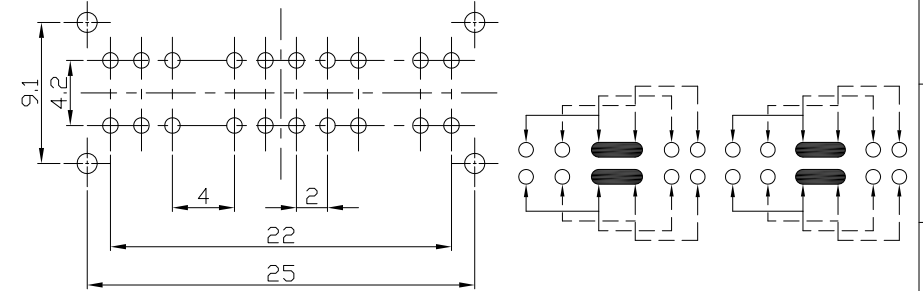
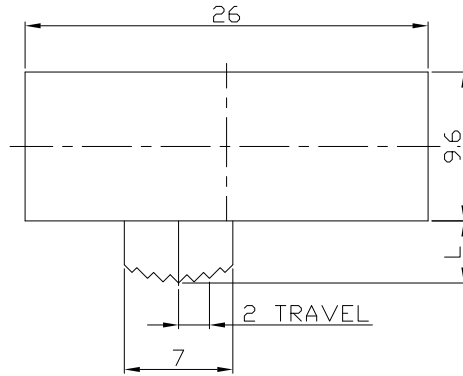
REV.	ECN.	NO.	APPD.

MODEL CODE

SK-44D04-GDD

Knob Type	L(mm)
GDD	~

DIMENSIONS

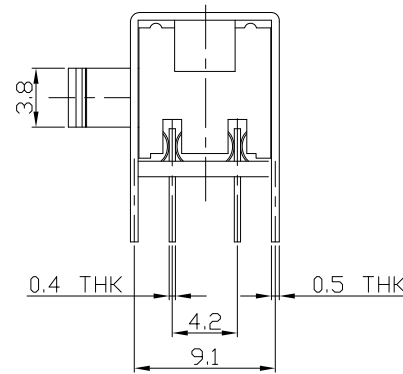
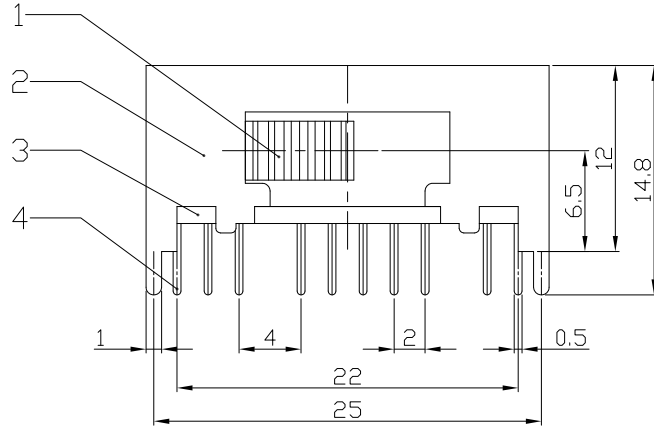


P.C.B LAYOUT

BOTTOM VIEW

CIRCUIT DIAGRAM

GDD Type



ELECTRO-MECHANICAL CHARACTERISTICS

Refer to additional specifications

RATING	0.5A 50V DC
CIRCUIT	4P4T
CONTACT RESISTANCE	100mΩ MAX.
TIMING	SHORTING
TRAVEL	2mm
OPERATING FORCE	250±100gf
OPERATING LIFE(cycles)	10,000

8					WITHIN 1.5mm: ±0.1mm	UNITS	mm
7	CONTACT CLIP	PBS STRIP	4	Ag PLATED	OVER 1.5mm: ±0.2mm	MAT'L	
6	SPRING	STEEL WIRE	1	NATURAL		SEE NOTE	
5	STEEL BALL	STEEL	1	NATURAL		FINISH	
4	TERMINAL	BRASS STRIP	20	Ag PLATED		SEE NOTE	
3	BASE	PHENOLIC RESIN	1	NATURAL		Q'TY	
2	FRAME	STEEL STRIP	1	Ni PLATED			
1	KNOB	POM	1	BLACK			
NO.	PARTS	MATERIAL	Q'TY	FINISHING			

THESE DRAWINGS AND SPECIFICATIONS ARE THE PROPERTY OF ACCURATE INNOTECH INC AND SHALL NOT BE REPRODUCED, COPIED OR USED IN ANY MANNER WITHOUT THE PRIOR WRITTEN CONSENT OF ACCURATE INNOTECH INC.

雅安科技有限公司 ACCURATE INNOTECH INC.			
TITLE: SLIDE SWITCH / HORIZONTAL		PART NO.: SK-44D04	
DR: <i>Ricky</i> 2016/07/18		DWG NO.: ADL-44D04	
CHKD: <i>Ricky</i> 2016/07/18		SCALE	SHEET
APPD:		2:1	1/1
		REV.	CUSTOMER
		A	DRAWING