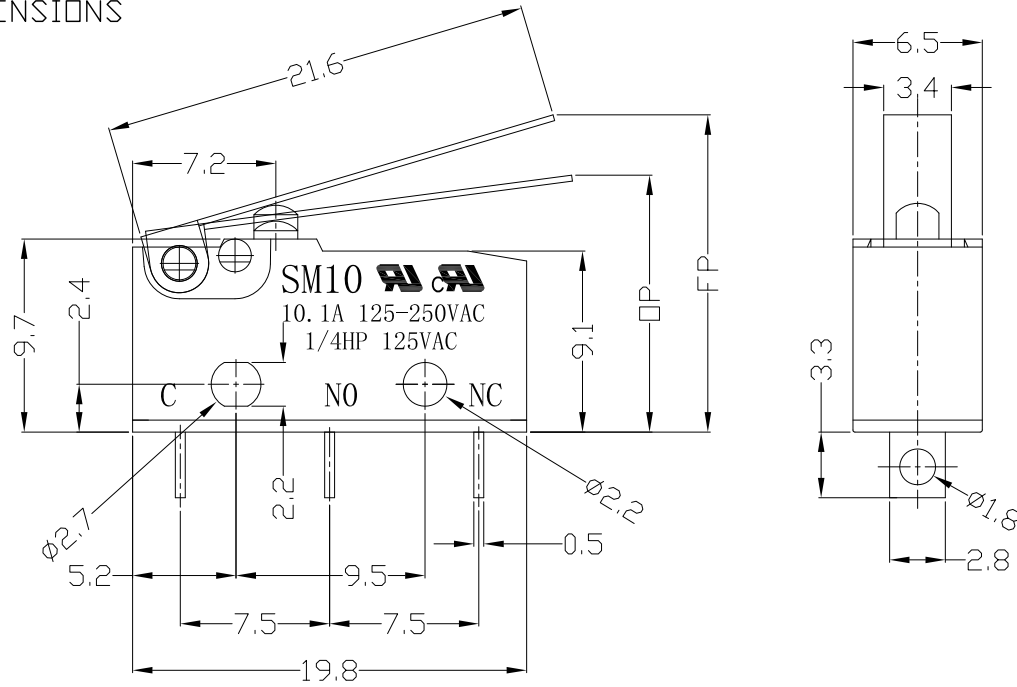




RoHS Compliant
2002/95/EC

REV.	ECN. NO.	APPD.

DIMENSIONS



1.Functional spec

1.1 Rated Voltage(AC)	125/250VAC	
1.2 Rated Current(AC)	10.1A	
1.3 Contact Resistance	≤100mΩ(Initial value)	
1.4 Operating Force	60±25gf	75±25gf
1.5 Bounce Time		
1.6 Free Position	16.5±1.2mm	
1.7 Operating Position	12.9±1.2mm	
1.8 Position Travel		
1.9 Return Force		

2.Reliable Rating

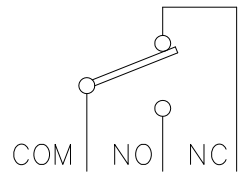
2.1 Mechanical Life	1,000,000 CYCLES
2.2 Electrical Life	6,000 CYCLES
2.3 Insulation Resistance	≥100MΩ DC500V(Initial value)
2.4 Withstand Voltage	AC1000V 1 minute(Initial value)
2.5 Soldering Technic	Hand Soldering
2.6 Operating Temper	-25°C ~ +85°C
2.7 Ambient Humidity Used	<85%RH

MODEL CODE

SM 10-01 X-XX

1 2 3 4 5

- Series : SM
- Current Rating : 10=10A 125/250VAC
- Actuator : 00=Non-lever 01-99=Lever
- Termination : see chart (N/P/A)
(7=SPST-NO / 3=SPST-NC)
- Operating Force : see chart



CIRCUIT DIAGRAM

Tolerance:±0.2	UNITS mm	雅安科技有限公司 ACCURATE INNOTECH INC.				
	MAT'L					
	SEE NOTE	TITLE:	PART NO:			
	FINISH	MICRO SWITCH SM10 SERIES	SM10-01N-XX			
	SEE NOTE	DR: <i>Ricky</i> 2017/4/7	DWG NO:			
	Q'TY	CHKD: <i>Ricky</i> 2017/4/7	ATD-01X-XX			
THESE DRAWINGS AND SPECIFICATIONS ARE THE PROPERTY OF ACCURATE INNOTECH INC AND SHALL NOT BE REPRODUCED, COPIED OR USED IN ANY MANNER WITHOUT THE PRIOR WRITTEN CONSENT OF ACCURATE INNOTECH INC.		APPD:	SCALE	SHEET	REV.	CUSTOMER DRAWING
			1:1	1/2	A	

