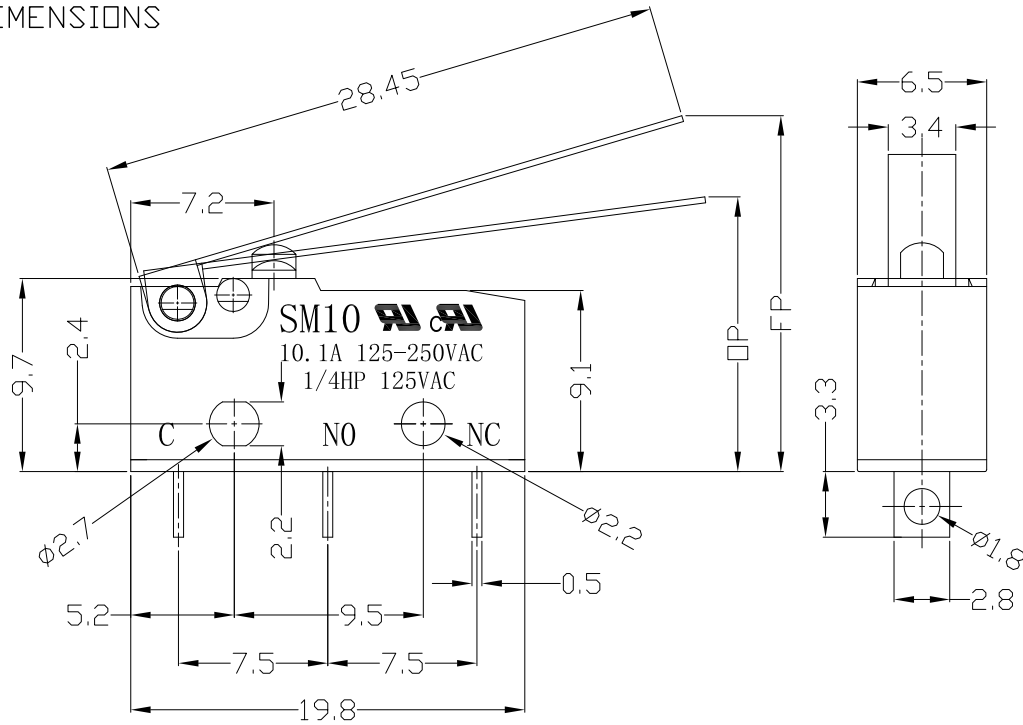




**RoHS
Compliant**
2002/95/EC

REV.	ECN. NO.	APPD.

DIMENSIONS

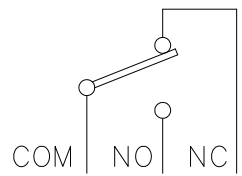


MODEL CODE

SM 10 - 02 X - XX

1 2 3 4 5

- Series : SM
- Current Rating : 10=10A 125/250VAC
- Actuator : 00=Non-lever 01-99=Lever
- Termination : see chart (N/P/A)
(7=SPST-NO / 3=SPST-NC)
- Operating Force : see chart



CIRCUIT DIAGRAM

1.Functional spec

1.1 Rated Voltage(AC)	125/250VAC	
1.2 Rated Current(AC)	10.1A	
1.3 Contact Resistance	$\leq 100\text{m}\Omega$ (Initial value)	
1.4 Operating Force	40±20gf	55±25gf
1.5 Bounce Time		
1.6 Free Position	18.0±1.2mm	
1.7 Operating Position	13.8±1.2mm	
1.8 Position Travel		
1.9 Return Force		

2.Reliable Rating

2.1 Mechanical Life	1,000,000 CYCLES
2.2 Electrical Life	6,000 CYCLES
2.3 Insulation Resistance	$\geq 100\text{M}\Omega$ DC500V(Initial value)
2.4 Withstand Voltage	AC1000V 1 minute(Initial value)
2.5 Soldering Technic	Hand Soldering
2.6 Operating Temper	-25°C ~ +85°C
2.7 Ambient Humidity Used	<85%RH

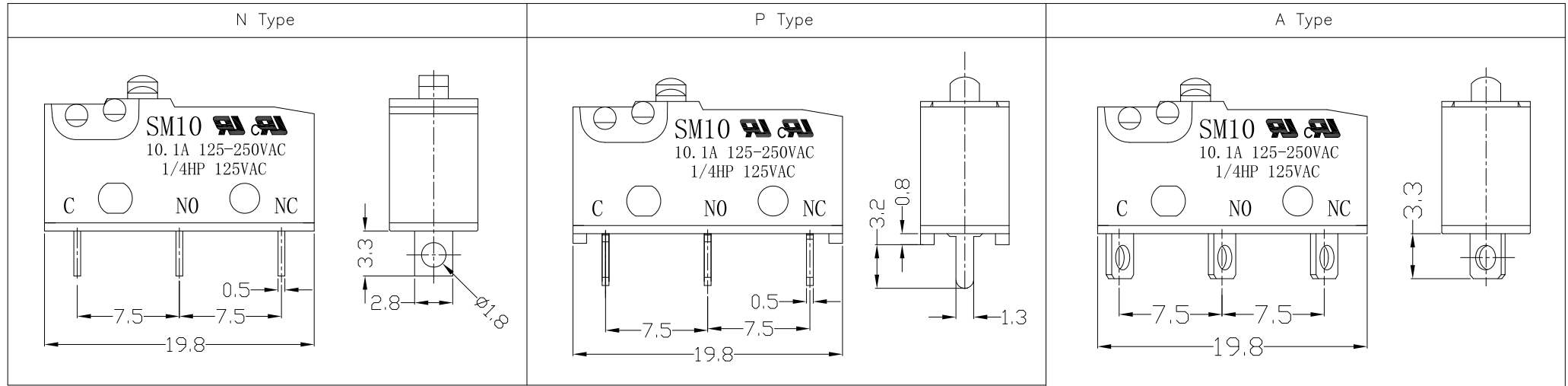
Tolerance:±0.2		UNITS mm	雅安科技有限公司 ACCURATE INNOTECH INC.			
		MAT'L	TITLE: MICRO SWITCH SM10 SERIES		PART NO.: SM10-02N-XX	
		SEE NOTE	DR: Ricky 2017/4/7		DWG NO.: ATD-02X-XX	
		FINISH	CHKD: Ricky 2017/4/7			
		SEE NOTE	APPD:			
		Q'TY	SCALE: 1:1		SHEET: 1/2	REV. A
<small>THESE DRAWINGS AND SPECIFICATIONS ARE THE PROPERTY OF ACCURATE INNOTECH INC AND SHALL NOT BE REPRODUCED, COPIED OR USED IN ANY MANNER WITHOUT THE PRIOR WRITTEN CONSENT OF ACCURATE INNOTECH INC.</small>			CUSTOMER DRAWING			



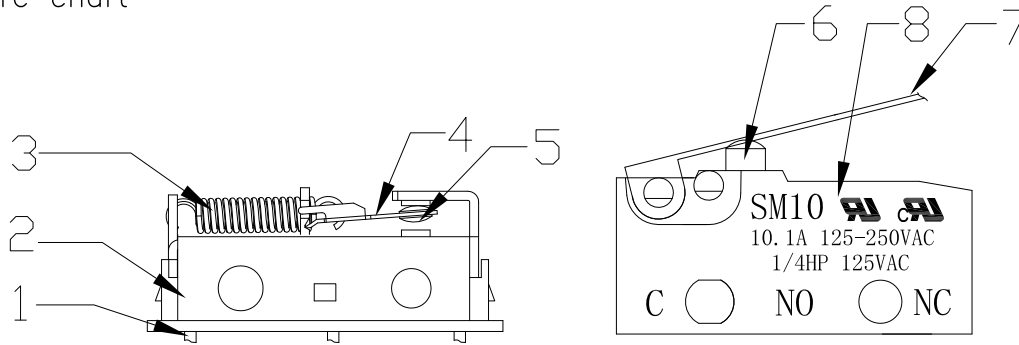
RoHS
Compliant
2002/95/EC

REV.	ECN. NO.	NO.	APPD.

Terminal Type



Structure chart



Material list

NO.	PARTS	MATERIAL	Q'TY	FINISHING	UNITS	mm	雅安科技有限公司 ACCURATE INNOTECH INC.				
8	Upper Housing	PBT	1	Black	Tolerance:±0.2	mm	SEE NOTE	TITLE: MICRO SWITCH SM10 SERIES		PART NO.: SM10-02X-XX	
7	Lever	SUS301	1					SEE NOTE	DR: Ricky 2017/4/7		DWG NO.: ATD-02X-XX
6	Button	PBT	1	Black	SEE NOTE	mm	SEE NOTE	CHKD: Ricky 2017/4/7		SCALE: 1:1	
5	Contact	Silver alloy	3					FINISH	APPD:		SHEET: 2/2
4	Change Plate	C5210	1		THESE DRAWINGS AND SPECIFICATIONS ARE THE PROPERTY OF ACCURATE INNOTECH INC AND SHALL NOT BE REPRODUCED, COPIED OR USED IN ANY MANNER WITHOUT THE PRIOR WRITTEN CONSENT OF ACCURATE INNOTECH INC.		Q'TY				
3	Spring	SUS304	1								
2	Lower Housing	PBT	1	Black							
1	Terminal	C2680	3								