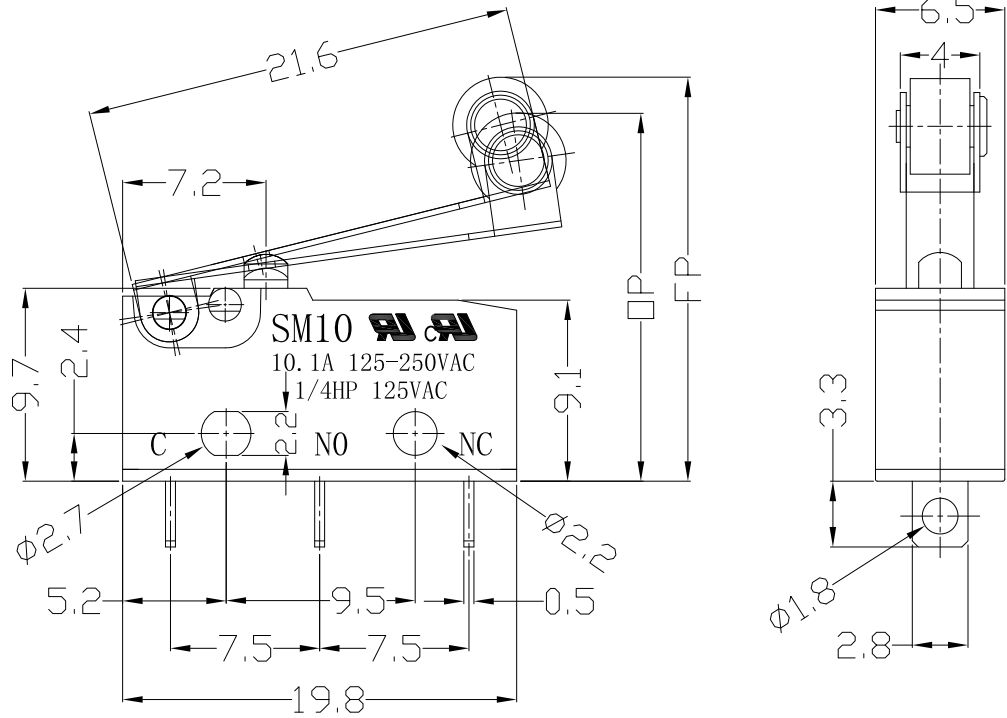




RoHS Compliant
2002/95/EC

REV.	ECN. NO.	APPD.

DIMENSIONS

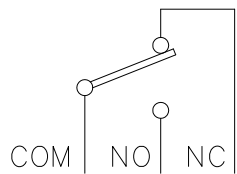


MODEL CODE

SM 10 - 03 X - XX

1 2 3 4 5

- 1.Series : SM
- 2.Current Rating : 10=10A 125/250VAC
- 3.Actuator : 00=Non-lever 01-99=Lever
- 4.Termination : see chart (N/P/A)
(7=SPST-NO / 3=SPST-NC)
- 5.Operating Force : see chart



CIRCUIT DIAGRAM

1.Functional spec

1.1 Rated Voltage(AC)	125/250VAC
1.2 Rated Current(AC)	10.1A
1.3 Contact Resistance	≤100mΩ(Initial value)
1.4 Operating Force	55±25gf 75±25gf
1.5 Bounce Time	
1.6 Free Position	20.5±1.5mm
1.7 Operating Position	18.6±1.5mm
1.8 Position Travel	
1.9 Return Force	

2.Reliable Rating

2.1 Mechanical Life	1,000,000 CYCLES
2.2 Electrical Life	6,000 CYCLES
2.3 Insulation Resistance	≥100MΩ DC500V(Initial value)
2.4 Withstand Voltage	AC1000V 1 minute(Initial value)
2.5 Soldering Technic	Hand Soldering
2.6 Operating Temper	-25°C ~ +85°C
2.7 Ambient Humidity Used	<85%RH

Tolerance:±0.2		UNITS	雅安科技有限公司 ACCURATE INNOTECH INC.			
		mm	TITLE:		PART NO.:	
		MAT'L	MICRO SWITCH SM10 SERIES		SM10-03N-XX	
		SEE NOTE	DR: <i>Ricky</i> 2017/4/7		DWG NO.:	
		FINISH	CHKD: <i>Ricky</i> 2017/4/7		ATD-03X-XX	
		SEE NOTE	APPD:		SCALE	SHEET
		Q'TY			1:1	1/2
					REV.	CUSTOMER
					A	DRAWING

THESE DRAWINGS AND SPECIFICATIONS ARE THE PROPERTY OF ACCURATE INNOTECH INC AND SHALL NOT BE REPRODUCED, COPIED OR USED IN ANY MANNER WITHOUT THE PRIOR WRITTEN CONSENT OF ACCURATE INNOTECH INC.

