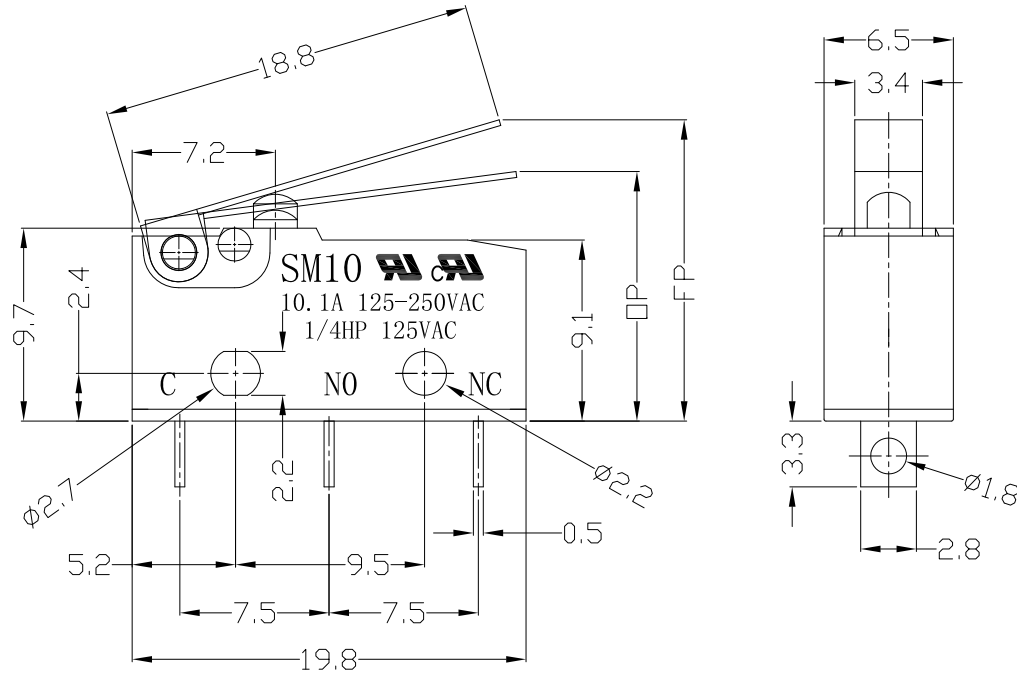




RoHS
Compliant
2002/95/EC

REV.	ECN.	NO.	APPD.

DIMENSIONS

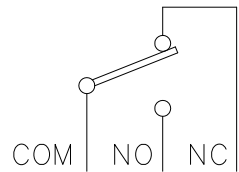


MODEL CODE

SM 10 - 04 X - XX

1 2 3 4 5

- 1.Series : SM
- 2.Current Rating : 10=10A 125/250VAC
- 3.Actuator : 00=Non-lever 01-99=Lever
- 4.Termination : see chart (N/P/A)
(7=SPST-NO / 3=SPST-NC)
- 5.Operating Force : see chart



CIRCUIT DIAGRAM

1.Functional spec

1.1 Rated Voltage(AC)	125/250VAC	
1.2 Rated Current(AC)	10.1A	
1.3 Contact Resistance	$\leq 100m\Omega$ (Initial value)	
1.4 Operating Force	60 \pm 25gf	80 \pm 30gf
1.5 Bounce Time		
1.6 Free Position	15.5 \pm 1.0mm	
1.7 Operating Position	13.0 \pm 1.0mm	
1.8 Position Travel		
1.9 Return Force		

2.Reliable Rating

2.1 Mechanical Life	1,000,000 CYCLES
2.2 Electrical Life	6,000 CYCLES
2.3 Insulation Resistance	$\geq 100M\Omega$ DC500V(Initial value)
2.4 Withstand Voltage	AC1000V 1 minute(Initial value)
2.5 Soldering Technic	Hand Soldering
2.6 Operating Temper	-25 $^{\circ}$ C ~ +85 $^{\circ}$ C
2.7 Ambient Humidity Used	<85%RH

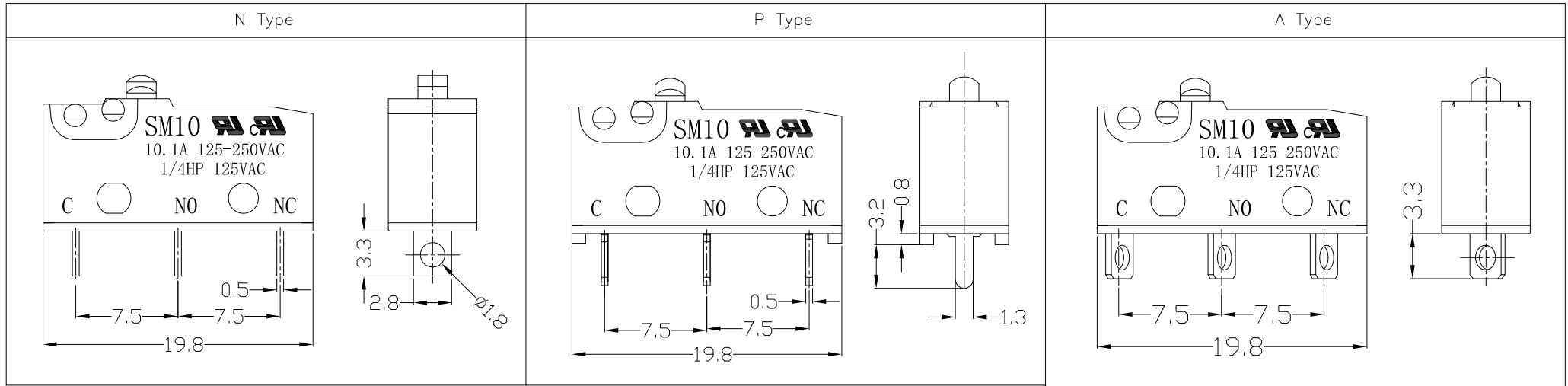
Tolerance: ± 0.2		UNITS	雅安科技有限公司 ACCURATE INNOTECH INC.			
		mm	TITLE: MICRO SWITCH SM10 SERIES		PART NO.: SM10-04N-XX	
		MAT'L	DR: <i>Ricky</i> 2017/4/7		DWG NO.: ATD-04X-XX	
		SEE NOTE	CHKD: <i>Ricky</i> 2017/4/7		SCALE: 1:1	
		FINISH	APPD:		SHEET: 1/2	REV.: A
		SEE NOTE			CUSTOMER DRAWING	
		Q'TY				
THESE DRAWINGS AND SPECIFICATIONS ARE THE PROPERTY OF ACCURATE INNOTECH INC AND SHALL NOT BE REPRODUCED, COPIED OR USED IN ANY MANNER WITHOUT THE PRIOR WRITTEN CONSENT OF ACCURATE INNOTECH INC.						



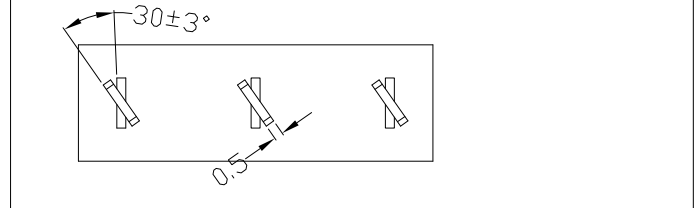
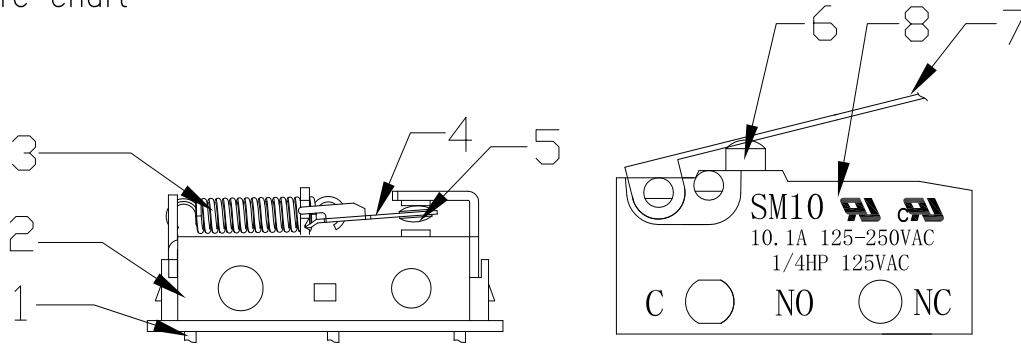
RoHS
Compliant
2002/95/EC

REV.	ECN. NO.	APPD.

Terminal Type



Structure chart



Material list

8	Upper Housing	PBT	1	Black	Tolerance:±0.2	UNITS	mm	雅安科技有限公司 ACCURATE INNOTECH INC.			
7	Lever	SUS301	1			MAT'L					
6	Button	PBT	1	Black		SEE NOTE	TITLE:	PART NO.:			
5	Contact	Silver alloy	3			FINISH	MICRO SWITCH SM10 SERIES	SM10-04X-XX			
4	Change Plate	C5210	1			SEE NOTE	DR:	Ricky 2017/4/7		DWG NO.:	
3	Spring	SUS304	1				CHKD:	Ricky 2017/4/7		ATD-04X-XX	
2	Lower Housing	PBT	1	Black			APPD:	SCALE	SHEET	REV.	CUSTOMER
1	Terminal	C2680	3					1:1	2/2	A	DRAWING
NO.	PARTS	MATERIAL	Q'TY	FINISHING							

THESE DRAWINGS AND SPECIFICATIONS ARE THE PROPERTY OF ACCURATE INNOTECH INC AND SHALL NOT BE REPRODUCED, COPIED OR USED IN ANY MANNER WITHOUT THE PRIOR WRITTEN CONSENT OF ACCURATE INNOTECH INC.

