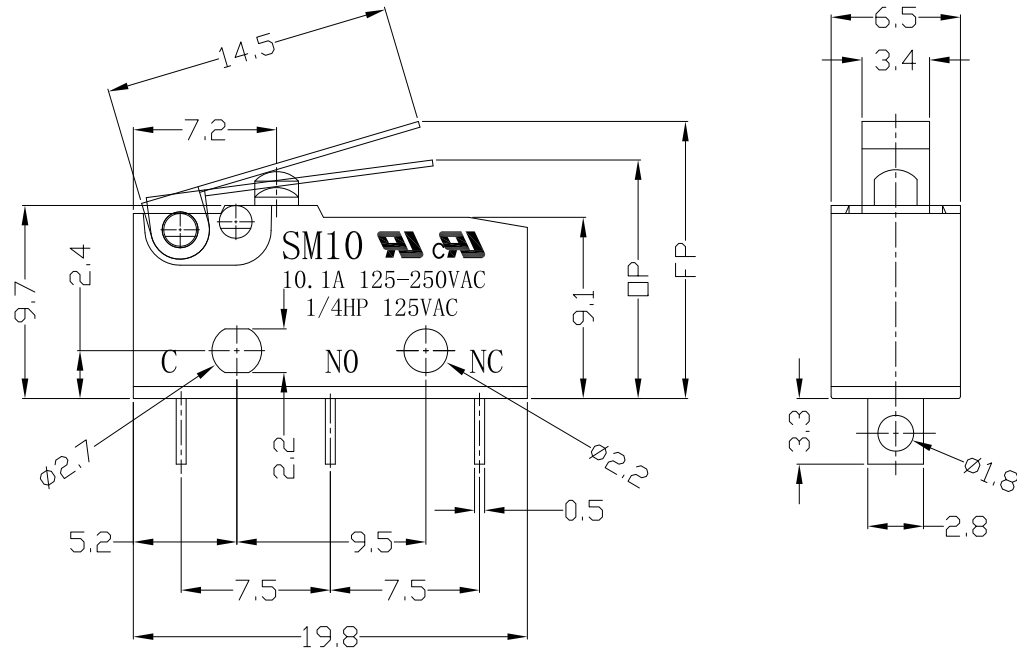




RoHS  
Compliant  
2002/95/EC

| REV. | ECN. | NO. | APPD. |
|------|------|-----|-------|
|      |      |     |       |
|      |      |     |       |
|      |      |     |       |

### DIMENSIONS

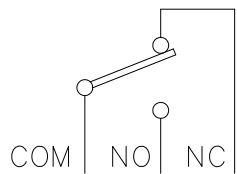


### MODEL CODE

SM 10 - 05 X - XX

1 2 3 4 5

- 1.Series : SM
- 2.Current Rating : 10=10A 125/250VAC
- 3.Actuator : 00=Non-lever 01-99=Lever
- 4.Termination : see chart (N/P/A)  
(7=SPST-NO / 3=SPST-NC)
- 5.Operating Force : see chart



CIRCUIT DIAGRAM

### 1.Functional spec

|                        |                       |          |
|------------------------|-----------------------|----------|
| 1.1 Rated Voltage(AC)  | 125/250VAC            |          |
| 1.2 Rated Current(AC)  | 10.1A                 |          |
| 1.3 Contact Resistance | ≤100mΩ(Initial value) |          |
| 1.4 Operating Force    | 90±30gf               | 120±40gf |
| 1.5 Bounce Time        |                       |          |
| 1.6 Free Position      | 14.6±1.2mm            |          |
| 1.7 Operating Position | 13.0±1.2mm            |          |
| 1.8 Position Travel    |                       |          |
| 1.9 Return Force       |                       |          |

### 2.Reliable Rating

|                           |                                 |
|---------------------------|---------------------------------|
| 2.1 Mechanical Life       | 1,000,000 CYCLES                |
| 2.2 Electrical Life       | 6,000 CYCLES                    |
| 2.3 Insulation Resistance | ≥100MΩ DC500V(Initial value)    |
| 2.4 Withstand Voltage     | AC1000V 1 minute(Initial value) |
| 2.5 Soldering Technic     | Hand Soldering                  |
| 2.6 Operating Temper      | -25°C ~ +85°C                   |
| 2.7 Ambient Humidity Used | <85%RH                          |

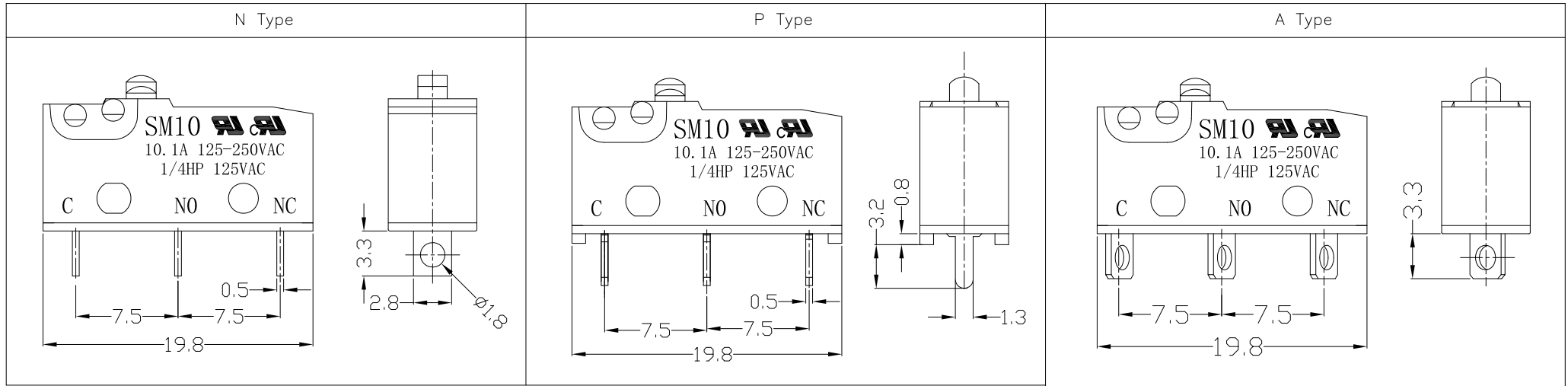
|   |          |                                    |                                   |   |  |
|---|----------|------------------------------------|-----------------------------------|---|--|
| Tolerance:±0.2  | UNITS    | 雅安科技有限公司<br>ACCURATE INNOTECH INC. |                                   |   |  |
|   | MAT'L    | PART NO.: SM10-05N-XX              |                                   |   |  |
| SEE NOTE  | FINISH   | TITLE:                             | MICRO SWITCH SM10 SERIES          |   |  |
|   | SEE NOTE | DR:                                | Ricky 2017/4/7                    |   |  |
| Q'TY  | SEE NOTE | CHKD:                              | Ricky 2017/4/7                    |   |  |
|   |          | APPD:                              | SCALE SHEET REV. CUSTOMER DRAWING |   |  |
| THESE DRAWINGS AND SPECIFICATIONS ARE THE PROPERTY OF ACCURATE INNOTECH INC AND SHALL NOT BE REPRODUCED, COPIED OR USED IN ANY MANNER WITHOUT THE PRIOR WRITTEN CONSENT OF ACCURATE INNOTECH INC. |          | 11                                 | 1/2                               | A |  |



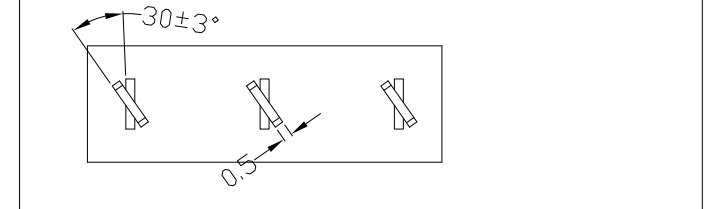
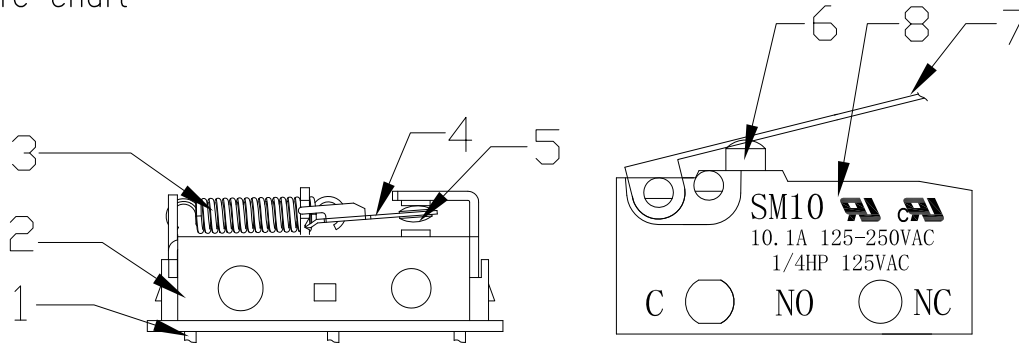
RoHS  
Compliant  
2002/95/EC

| REV. | ECN. NO. | APPD. |
|------|----------|-------|
|      |          |       |
|      |          |       |

### Terminal Type



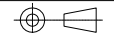
### Structure chart



### Material list

| NO. | PARTS         | MATERIAL     | Q'TY | FINISHING |                |          |       |          |        |          |      |                                    |                          |                              |                        |
|-----|---------------|--------------|------|-----------|----------------|----------|-------|----------|--------|----------|------|------------------------------------|--------------------------|------------------------------|------------------------|
| 8   | Upper Housing | PBT          | 1    | Black     | Tolerance:±0.2 | UNITS mm | MAT'L | SEE NOTE | FINISH | SEE NOTE | Q'TY | TITLE:<br>MICRO SWITCH SM10 SERIES | PART NO.:<br>SM10-05X-XX | DR:<br><i>Ricky</i> 2017/4/7 | DWG NO.:<br>ATD-05X-XX |
| 7   | Lever         | SUS301       | 1    |           |                |          |       |          |        |          |      |                                    |                          |                              |                        |
| 6   | Button        | PBT          | 1    | Black     |                |          |       |          |        |          |      |                                    |                          |                              |                        |
| 5   | Contact       | Silver alloy | 3    |           |                |          |       |          |        |          |      |                                    |                          |                              |                        |
| 4   | Change Plate  | C5210        | 1    |           |                |          |       |          |        |          |      |                                    |                          |                              |                        |
| 3   | Spring        | SUS304       | 1    |           |                |          |       |          |        |          |      |                                    |                          |                              |                        |
| 2   | Lower Housing | PBT          | 1    | Black     |                |          |       |          |        |          |      |                                    |                          |                              |                        |
| 1   | Terminal      | C2680        | 3    |           |                |          |       |          |        |          |      |                                    |                          |                              |                        |
|     |               |              |      |           |                |          |       |          |        |          |      |                                    |                          |                              |                        |
|     |               |              |      |           |                |          |       |          |        |          |      |                                    |                          |                              |                        |

THESE DRAWINGS AND SPECIFICATIONS ARE THE PROPERTY OF ACCURATE INNOTECH INC AND SHALL NOT BE REPRODUCED, COPIED OR USED IN ANY MANNER WITHOUT THE PRIOR WRITTEN CONSENT OF ACCURATE INNOTECH INC.



雅安科技有限公司  
ACCURATE INNOTECH INC.

| SCALE | SHEET | REV. | CUSTOMER DRAWING |
|-------|-------|------|------------------|
| 1:1   | 2/2   | A    |                  |