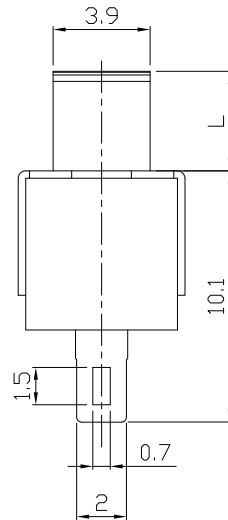
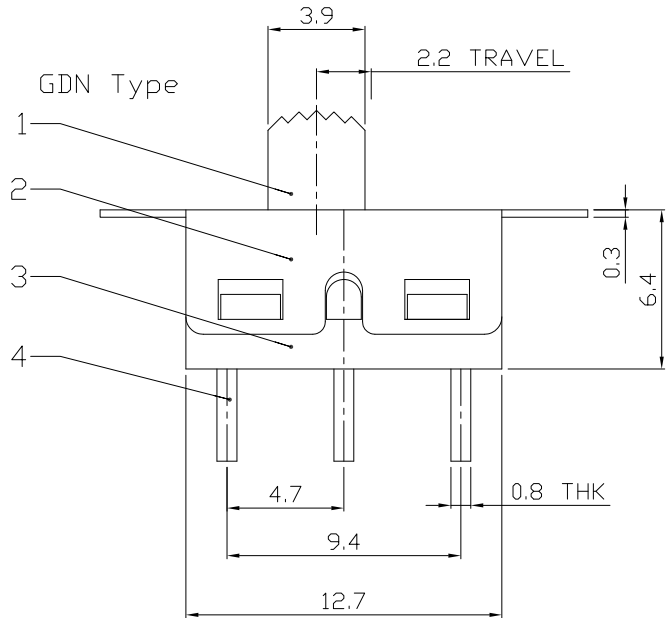
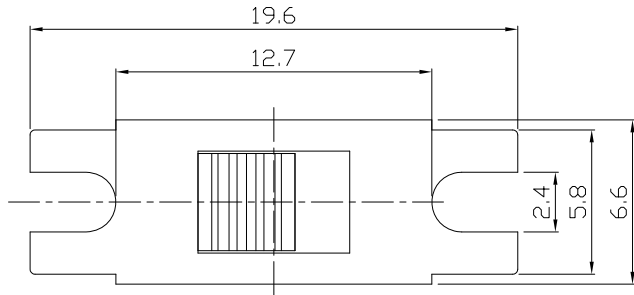




RoHS
Compliant
2002/95/EC

REV.	ECN.	NO.	APPD.

DIMENSIONS



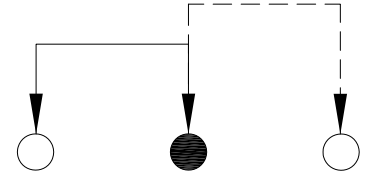
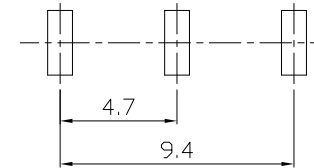
MODEL CODE

SS-12D08-GDN - B

Knob Type
GDN

L(mm)
~

Case Color	
B	Black
R	Red



P.C.B LAYOUT BOTTOM VIEW

CIRCUIT DIAGRAM

ELECTRO-MECHANICAL CHARACTERISTICS

Refer to additional specifications

RATING	2A 125V AC
CIRCUIT	1P2T
CONTACT RESISTANCE	100mΩ MAX.
TIMING	NON-SHORTING
TRAVEL	2.2mm
OPERATING FORCE	250±100gf
OPERATING LIFE(cycles)	10,000

8					
7	STEEL BALL	STEEL	1	NATURAL	
6	SPRING	STEEL WIRE	1	NATURAL	
5	CONTACT	BRASS STRIP	1	Ag PLATED	
4	TERMINAL	BRASS STRIP	3	Ag PLATED	
3	CASE	PA66	1	RED/BLACK	
2	COVER	SUS	1	NATURAL	
1	KNOB	PA66	1	BLACK	
NO.	PARTS	MATERIAL	Q'TY	FINISHING	

WITHIN 1.5mm: ±0.1mm
OVER 1.5mm: ±0.2mm

THESE DRAWINGS AND SPECIFICATIONS ARE THE PROPERTY OF ACCURATE INNOTECH INC AND SHALL NOT BE REPRODUCED, COPIED OR USED IN ANY MANNER WITHOUT THE PRIOR WRITTEN CONSENT OF ACCURATE INNOTECH INC.

UNITS mm
MAT'L SEE NOTE
FINISH SEE NOTE
Q'TY

雅安科技有限公司
ACCURATE INNOTECH INC.

TITLE: SLIDE SWITCH / VERTICAL
PART NO.: SS-12D08

DR: Ricky 2015/07/07
DWG NO.: ADL-12D08

CHKD: Ricky 2015/07/07

APPD:

SCALE	SHEET	REV.	CUSTOMER DRAWING
3:1	1/1	A	